



FLOWERS

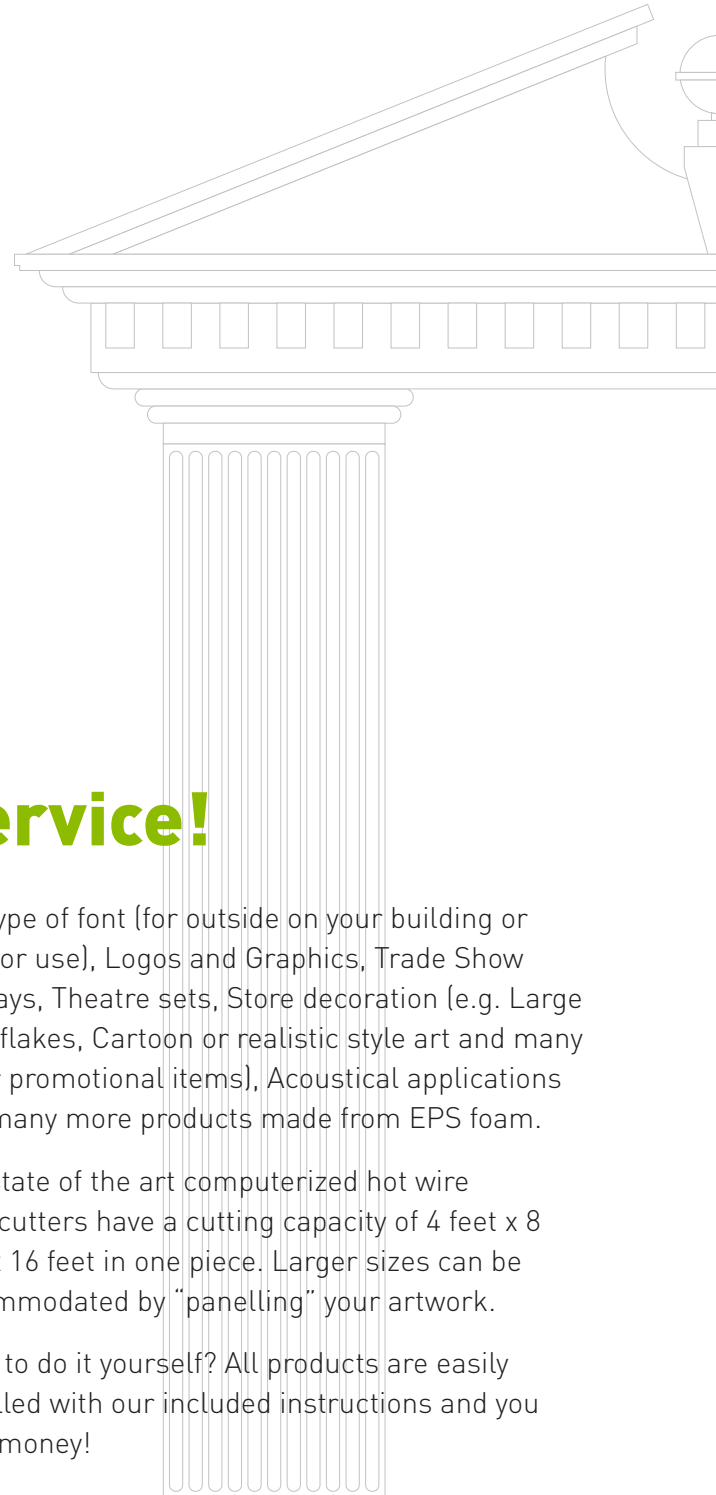
FOAM PRODUCTS

ARCHITECTURAL FOAM

Integrity, Value and Service



FLOWERS



Integrity, Value and Service!

Flowers Architectural Foam Products has invested in the best equipment available on the market today. With this technology we are able to provide our customers with superb quality products at an affordable price. We would like to be your source for any type of hot wire foam cutting or slicing. With our state of the art fully computerized cutting systems we are able to cut many different shapes out of various EPS foam products. We can cut extruded foam, expanded foam (bead type foam) or polyurethane foam (soft bedding foam). Flowers Architectural Foam Products is able to ship locally or worldwide!

We specialize in foam work such as Architectural and building components (EIFS), Dimensional Signs, Concrete maids, Property Gateways & Entryway Signs, Wayfinding and Directional signage, Columns, Cast Concrete Form Inserts, 3D Graphics (large or small), foam lettering in

any type of font (for outside on your building or interior use), Logos and Graphics, Trade Show displays, Theatre sets, Store decoration (e.g. Large snowflakes, Cartoon or realistic style art and many other promotional items), Acoustical applications and many more products made from EPS foam.

Our state of the art computerized hot wire foamcutters have a cutting capacity of 4 feet x 8 feet x 16 feet in one piece. Larger sizes can be accommodated by "panelling" your artwork.

Want to do it yourself? All products are easily installed with our included instructions and you save money!

Keep Flowers Architectural Foam Products in mind when you are planning the next application for your building project, retail store, trade show or other events needing to make a larger-than-life impact.

Foam Shapes

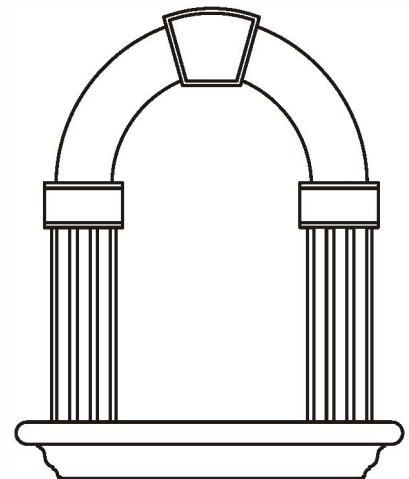
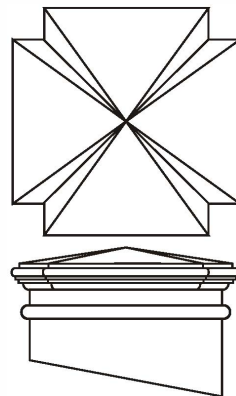
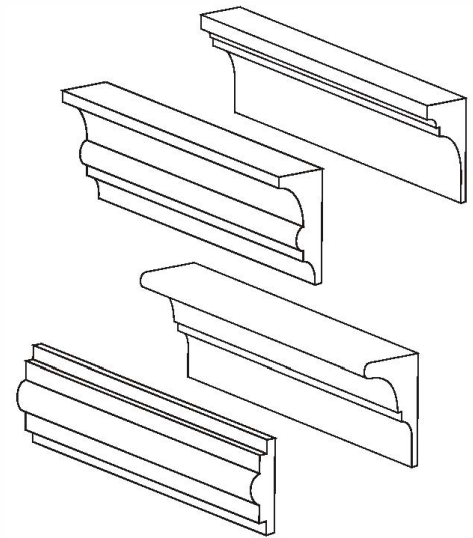
We produce foam shapes for:

- Amusement park structures
- Concrete casting maids
- Building components (EIFS)
- Property gateways and entrances
- Architectural components
- Insulation panels
- Letters & logos for concrete work
- Concrete Noise Barriers
- Decorative Walls
- Cornices, keystones & quoins
- Parapets and caps
- Interior & exterior building construction

We are your première source for custom cut EPS foam shapes. With many years of combine involvement in the foam and graphic business, we can design, create and produce almost any imaginable shape in EPS foam.

We have invested in state-of-the art cutting equipment to ensure the best possible quality i every job we do. Whether you need 100 or 100,000 linear feet of trim or melding, every piece will be as good as the one before it. With our computer controlled cutters, we can produce any design, shape or logo in both expanded and extruded polystyrene foam.

Our computer controlled foam cutting systems are the largest in the Caribbean and can produce everything from small, simple shapes and designs to large complex designs. The applications for custom EPS foam is almost limitless. Whether used for building trim and architectural shapes in conjunction with EIFS (Exterior Insulating and Finishing Systems), concrete casting maids (re-useable or disposable) or entryways and gates, we will meet your requirements on-time and exactly to specification.



Need concrete shapes?

We can also produce maids from any shape in our catalogue!



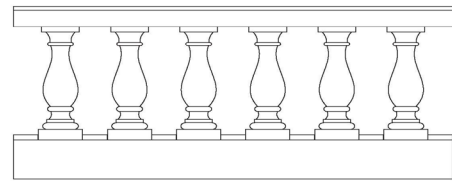
Expanded Polystyrene Foam Shapes

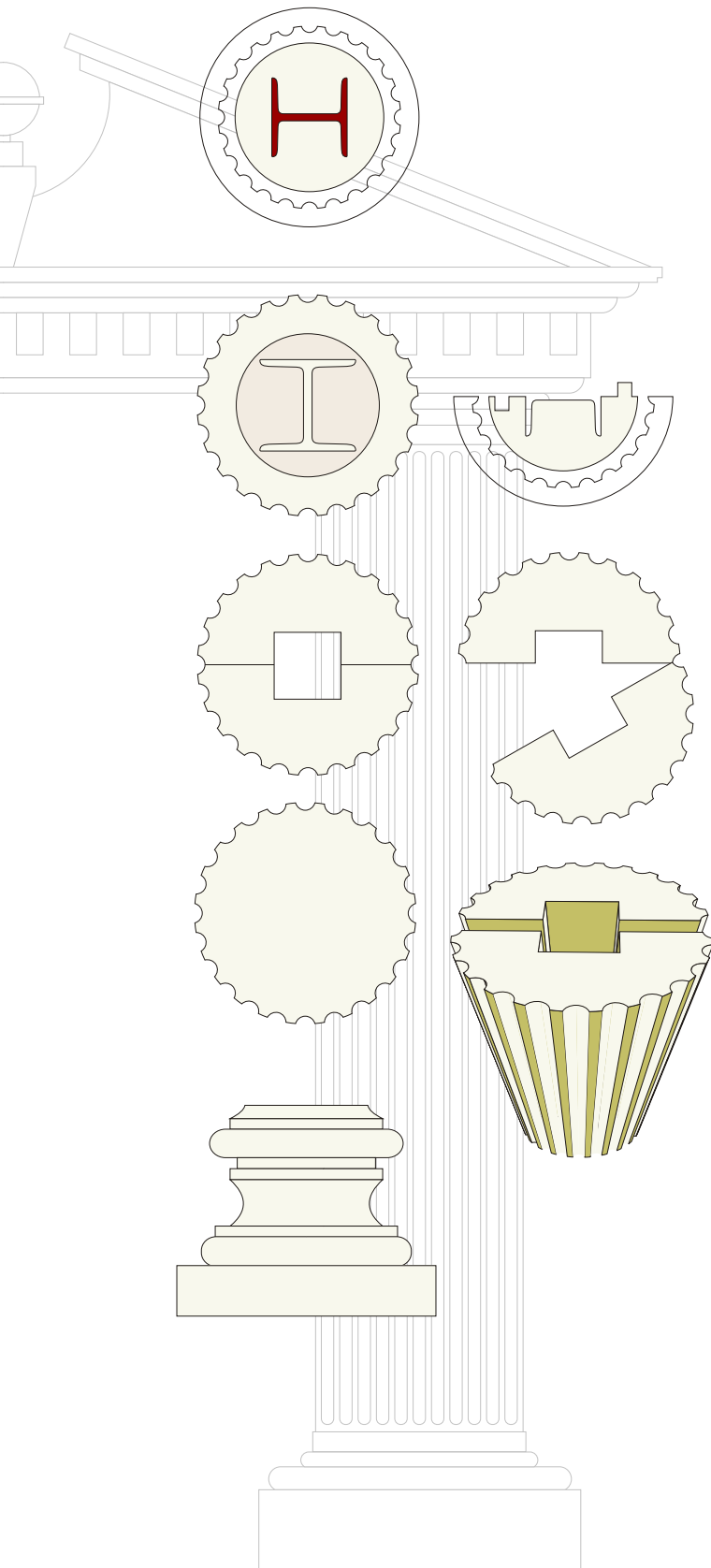
EPS foam is an incredibly unique product available to work with. The inclusion of computer cut trim and melding from our company is a very quick and easy way to increase the perceived value of any construction project. Whether you are involved in new construction, remodelling or renovating, our shapes can be incorporated into your project to enhance the entire job.

Our mouldings, cornices and wainscoting are also ideally suited for interior use. As large wood becomes less available and more scarce, large decorative mouldings become more expensive and difficult to produce. With custom cut EPS mouldings, size is no longer a concern, and because the trim is lightweight it is quickly and easily installed and finished.

There are several major advantages of custom cut EPS shapes over traditional methods:

- Intricate shapes and designs are possible in EPS foam that would otherwise be virtually impossible to reproduce in wood
- Our trim and mouldings are lightweight and can be easily installed by a single worker at the job site
- Foam custom shapes are unaffected by temperature and moisture changes.
- Never have to deal with cracked, warped or rotted trim and melding. Damaged product can easily be fixed or replaced





We can create stunning and affordable entryways, suitable for both new developments and existing properties matching desired or existing styles. These units can be built in a variety of configurations, integrating graphics and/or text to these structures. The finishes can be matched to your current building style and finish.

The installation of Entryway, Signage and Decorative wall structures is one of the easiest and most cost-effective methods of enhancing the visual appeal of municipalities, Corporate offices, housing & apartment complexes and condominium units. These structures can be easily and cost-effectively added to any existing or future projects.

Through the use of advanced design and construction techniques, we are able to produce virtually any design or style of Wall System. Our wall systems are designed and produced using computer controlled manufacturing processes and are finished with scientifically engineered coatings that are weather proof, impact resistant and visually appealing. All entryways and wall systems are constructed using our multi-layer design system.

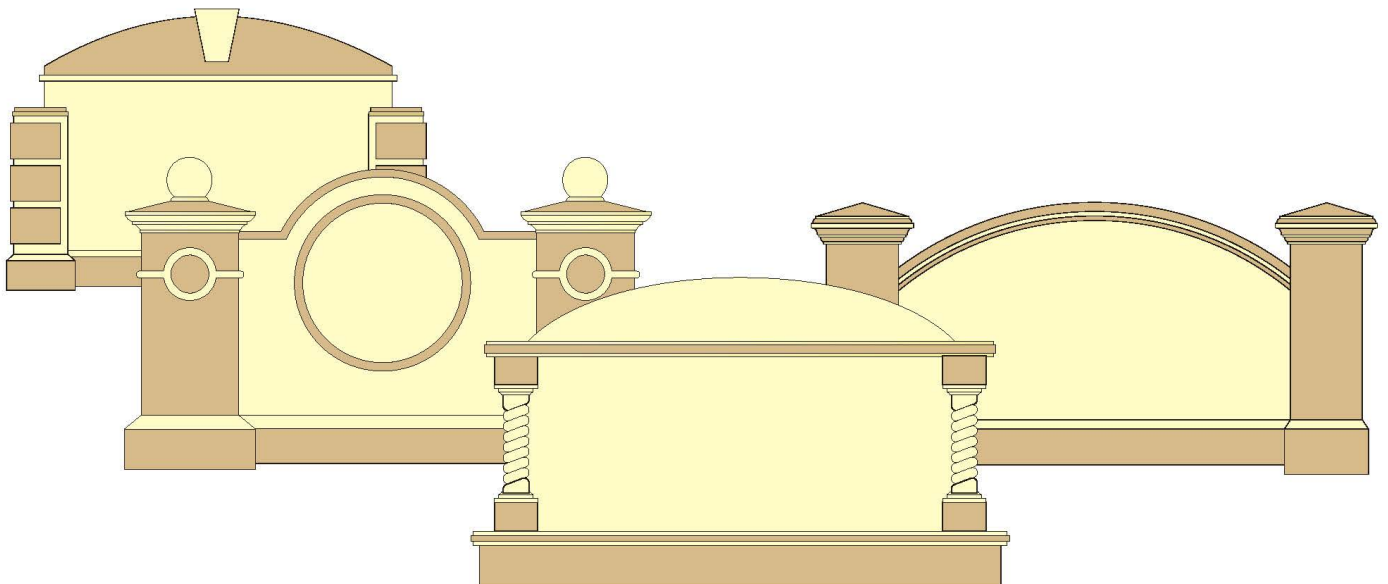
The base, or core, of the structure is produced using environmentally friendly EPS. EPS does not degrade or deteriorate over time and is unaffected by temperature changes, humidity and moisture. Additionally, as EPS is a non-organic material that has no nutritional value, pests and rodents are un-attracted to the structure. This structure core is coated with a virtually impermeable coating finish. A texture coat can be added to simulate various textures and finishes. The final finish can simulate a variety of material such as rock, brick, stone, wood, metal, etc., to point out just a few.

To enhance the visual appeal, custom lettering and graphics can be applied and mounted to the face of the structure. The material available for this are varied and wide ranging.

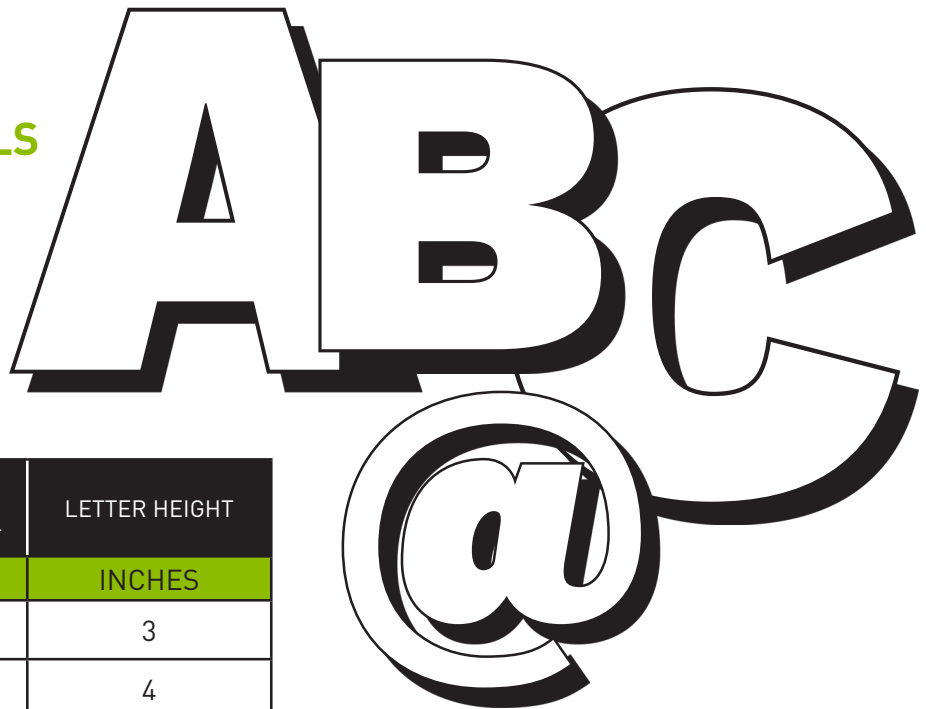
Please consult with our representative for additional costs and details.



**WE CAN ADD TEXT AND
GRAPHICS TO MONUMENTS OR
SIGNS PRODUCED WITH YOUR
LOGO OR ARTWORK**



**LETTERS AND SYMBOLS
MADE FROM FOAM**



Letter Visibility Chart.

MAX READABLE DISTANCE	READABLE DISTANCE FOR MAXIMUM IMPACT	LETTER HEIGHT
FEET	FEET	INCHES
100	30	3
150	40	4
200	60	6
350	80	8
400	90	9
450	100	10
525	120	12
630	150	15
750	180	18
1000	240	24
1250	300	30
1500	360	36
1750	420	42
2000	480	48
2250	540	54
2500	600	60

Distance will vary approx 10% with various color combinations

5,280 feet equals 1 mile maximum distance in color would be RED or BLACK on WHITE background

Lettering Guidelines

You may order any type/letter style. For best results you should supply the font via e-mail to us (font names vary depending on supplier/creator).

If you do not supply the font, please send a hard copy of the letter style so that we may match it as closely as possible. Our foam letter prices are applicable in most situations, however ornamental or cursive (fancy) type styles may be subject to a surcharge; you will be notified of this when ordering your letters.

Custom designs or graphics will be quoted on an individual basis. For accurate quoting, please know the thickness of individual pieces of your design.

Not sure what size letters you need? See our **Letter Visibility Chart**. Foam letters or products can be easily applied to most buildings or walls by means of silicone, construction adhesive or other products. If applying letters to metal clad buildings you may glue the letters to wood strapping and screw the strapping to the siding.



LOGOS AND SHAPES MADE FROM FOAM

Processed and manufactured from your artwork



1



2



3



4

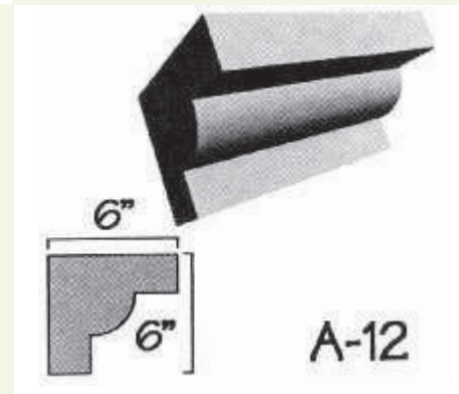
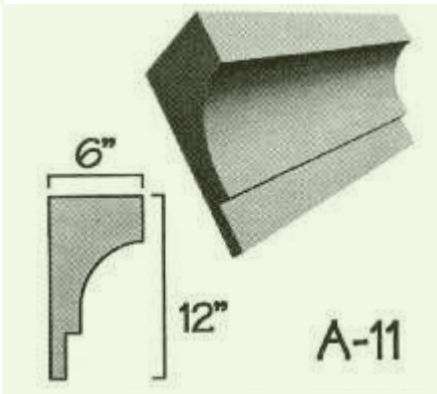
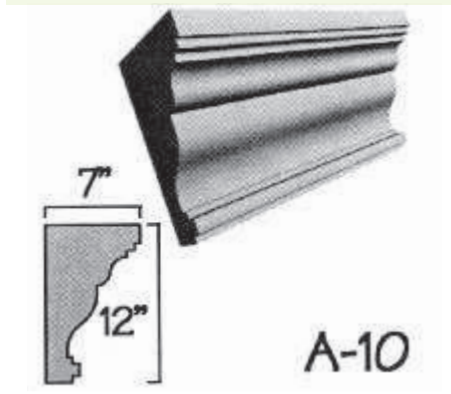
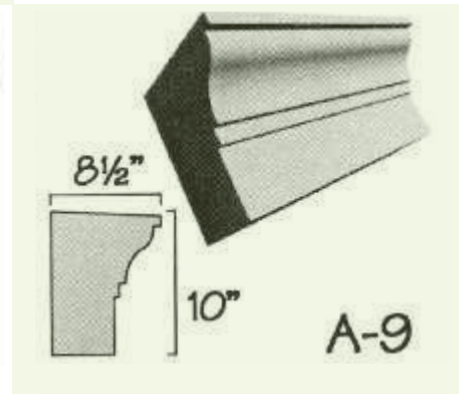
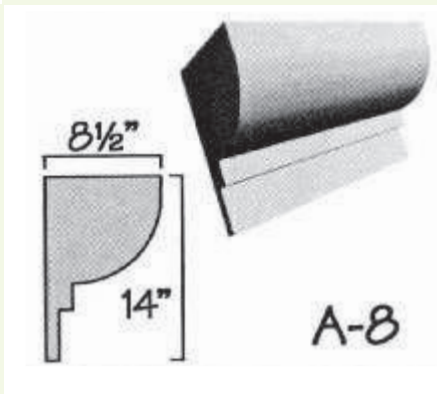
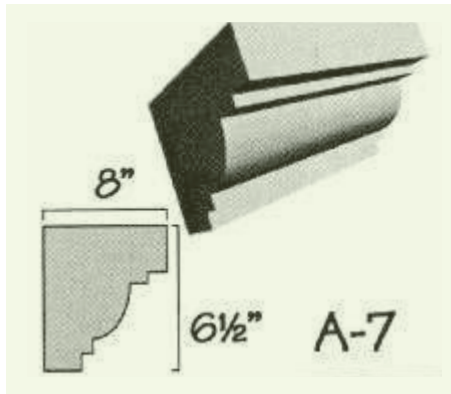
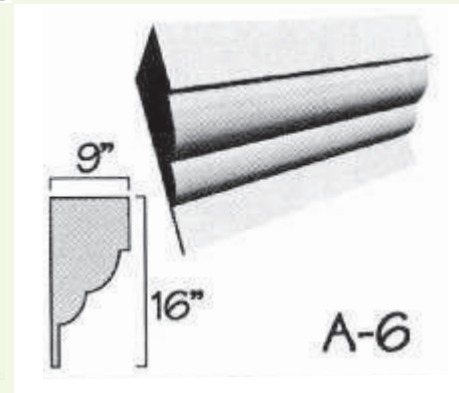
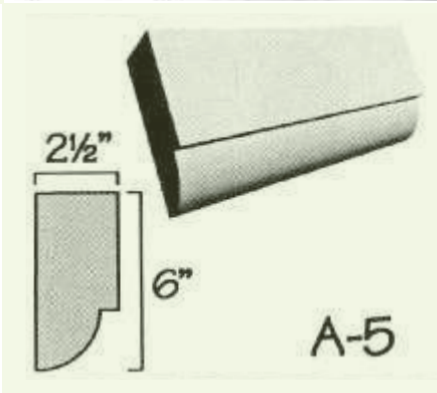
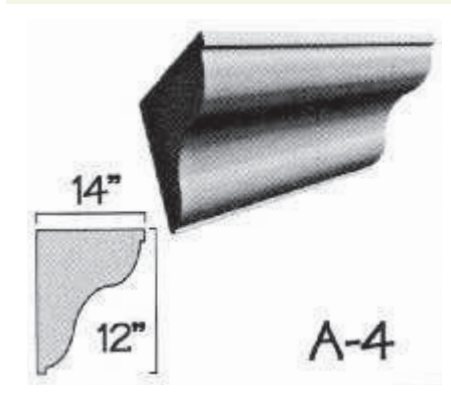
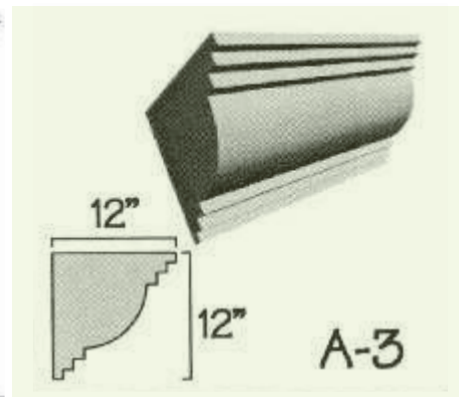
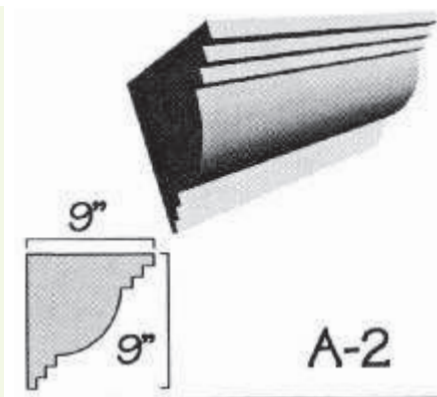
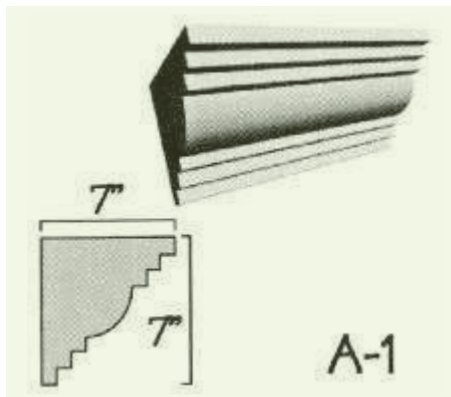


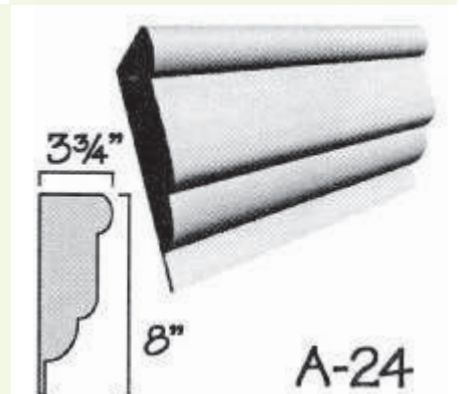
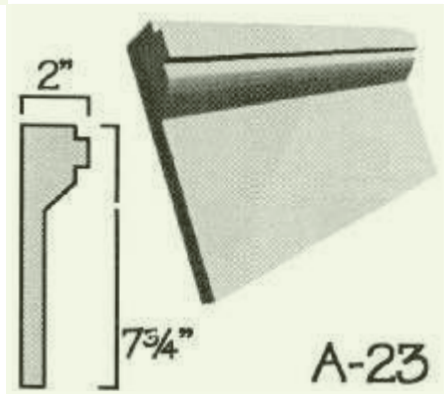
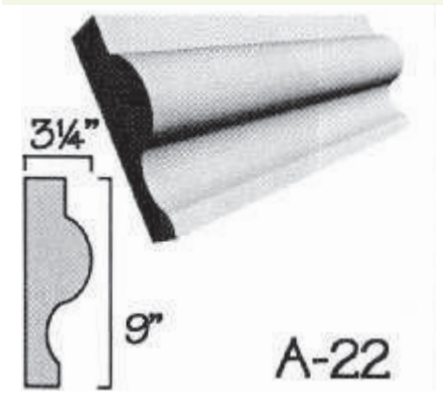
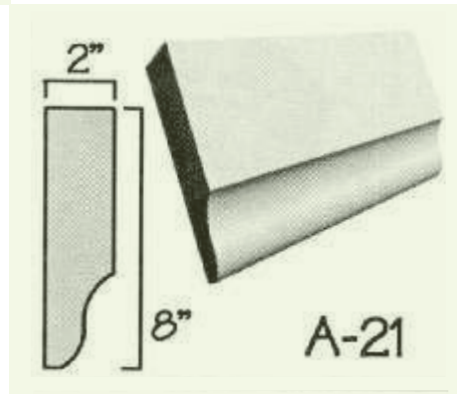
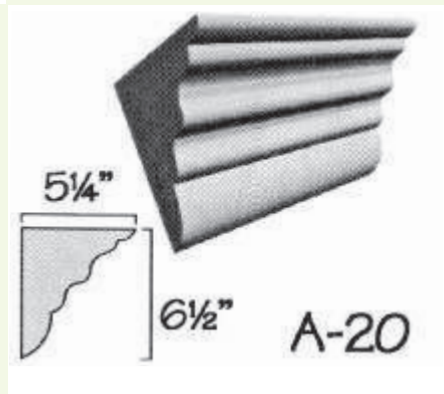
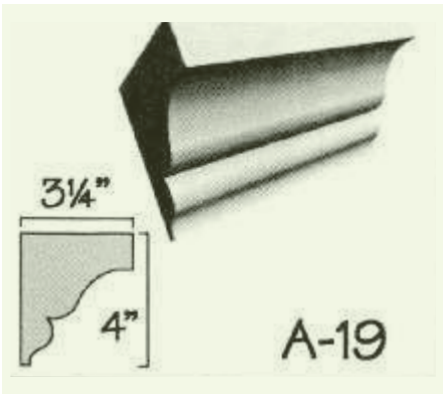
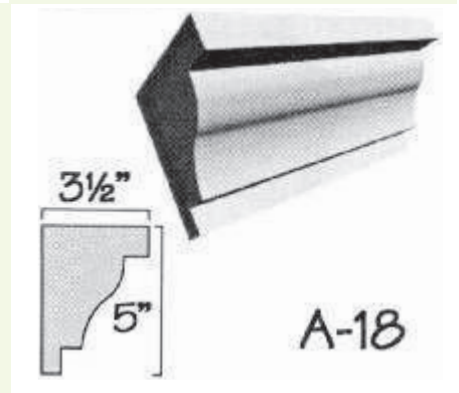
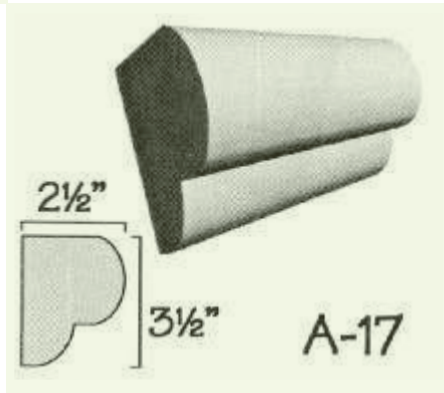
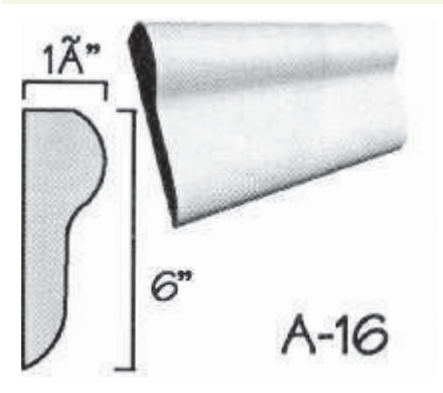
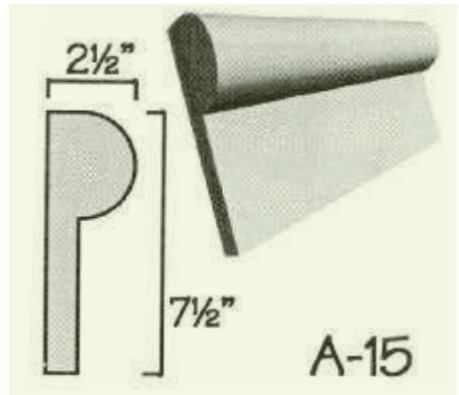
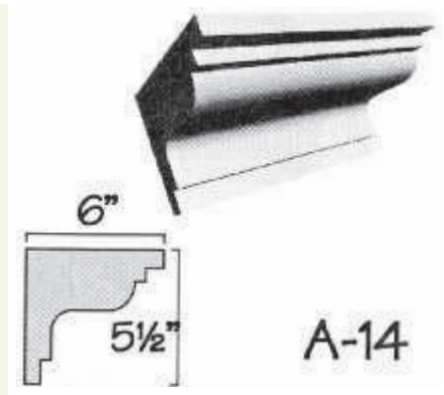
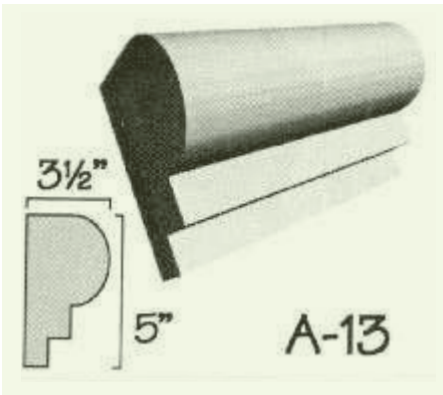
Important!

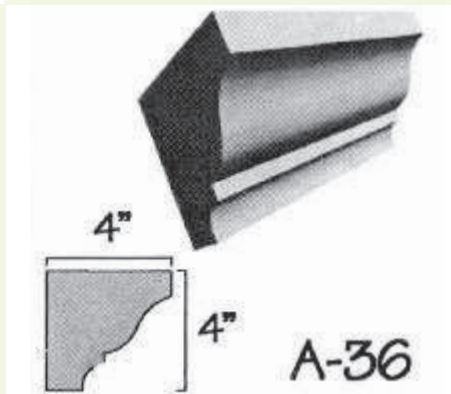
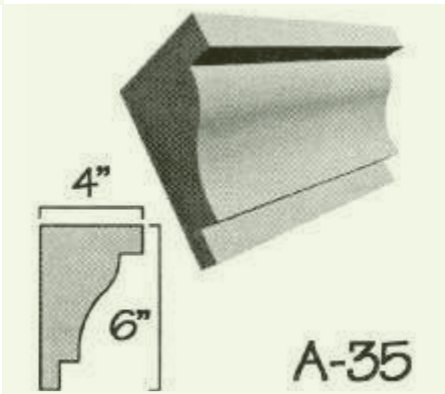
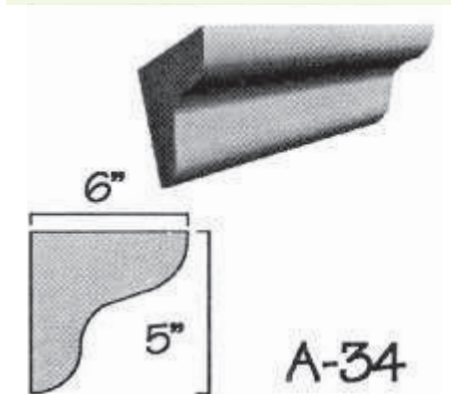
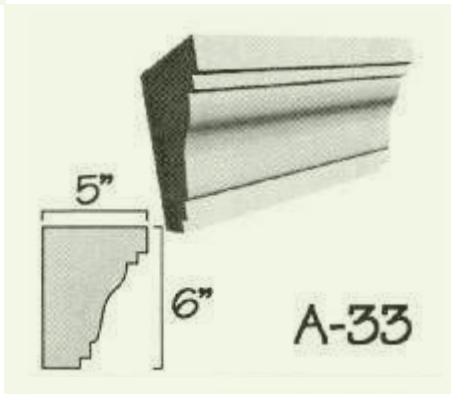
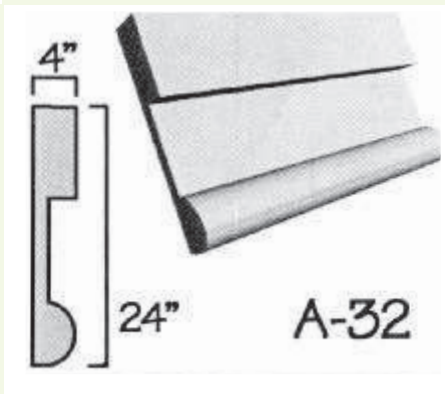
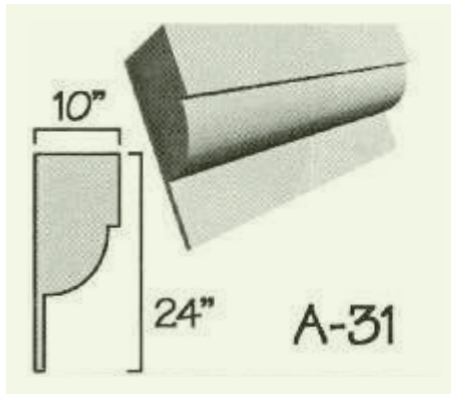
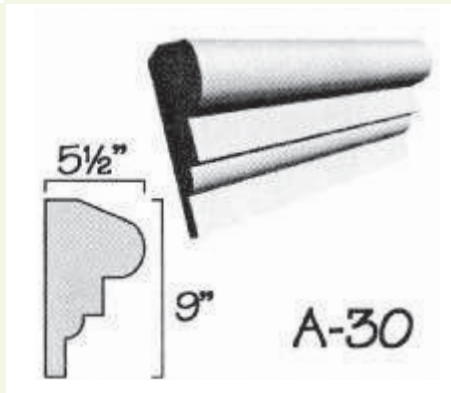
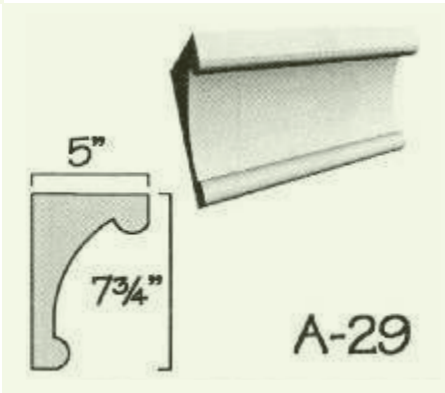
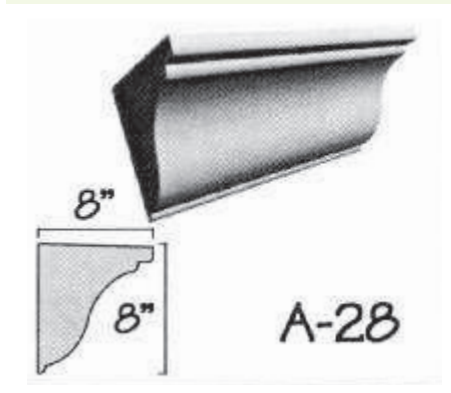
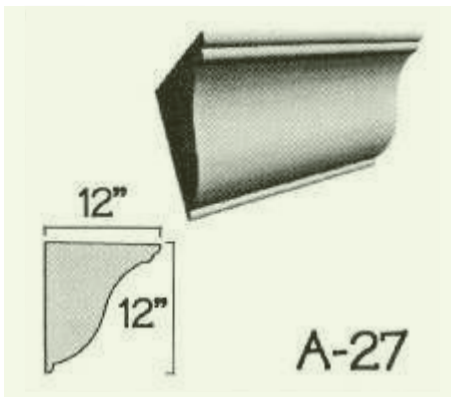
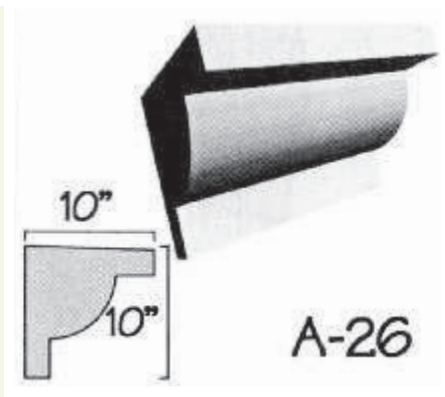
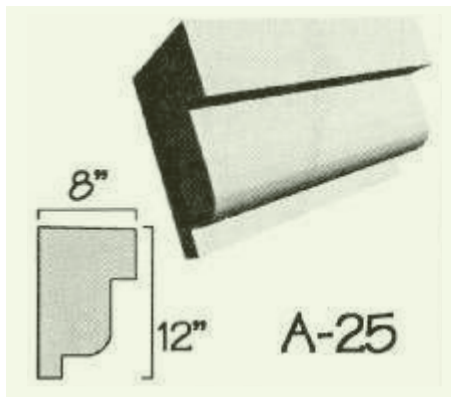
All foam letters should be painted to withstand UV rays. Latex-based paints will work best and will not eat into the foam. You can use most types of oil based paints (for great colours or affects) after you have applied at least 2 coats of a good quality latex paint (test a small area with the finish coat, prior to proceeding).

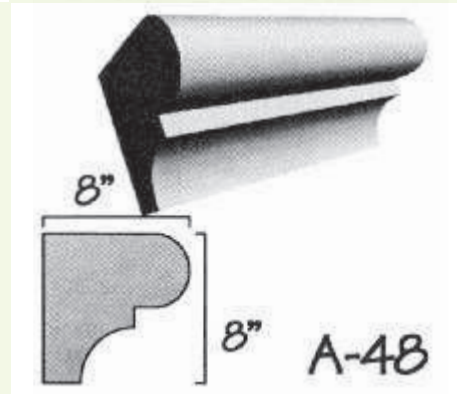
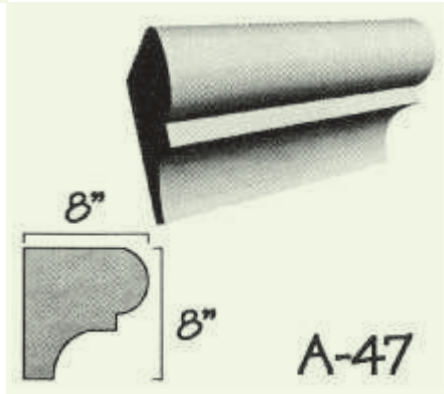
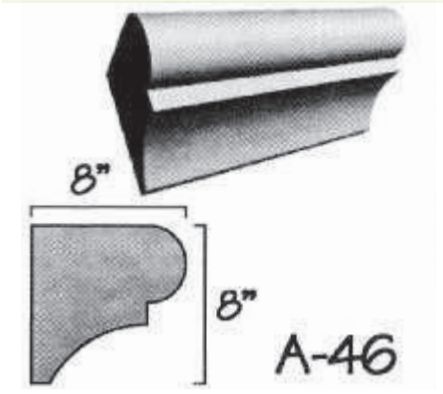
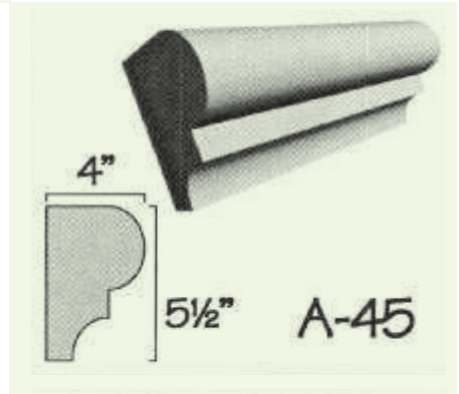
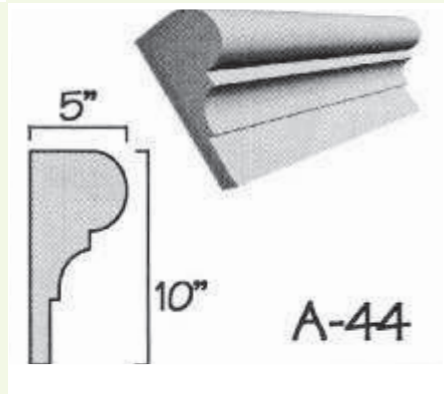
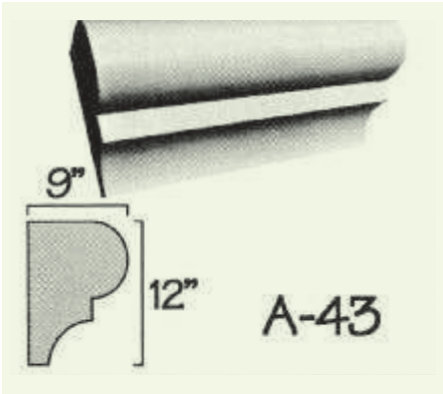
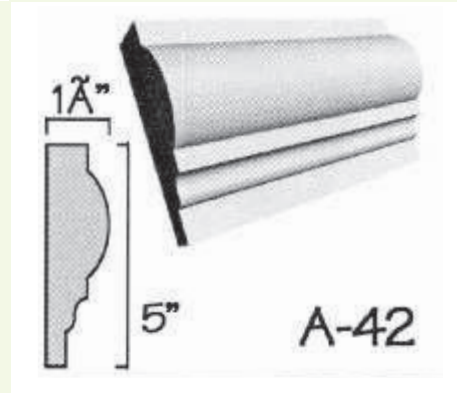
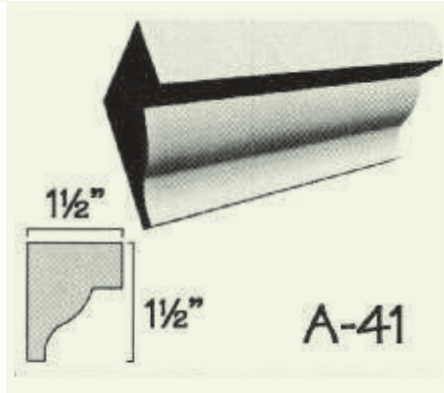
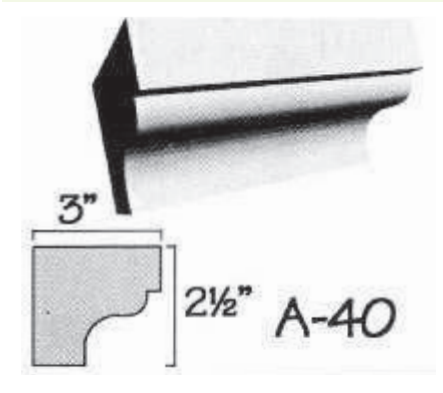
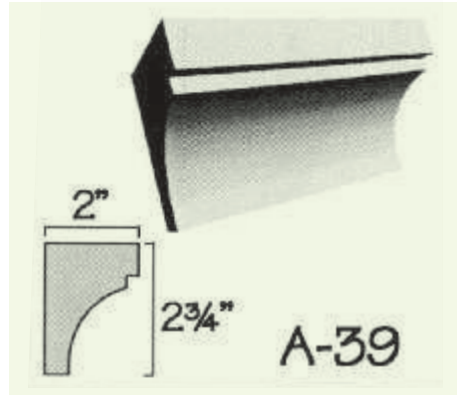
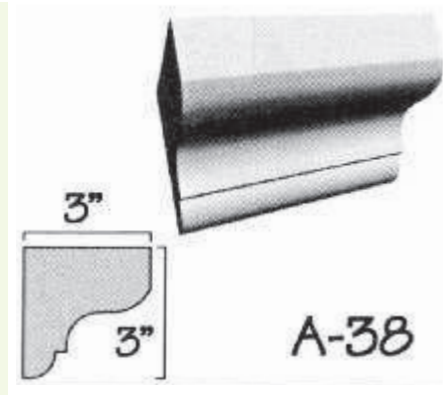
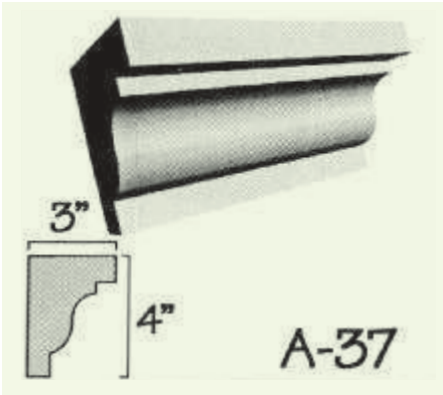
How to order your products:

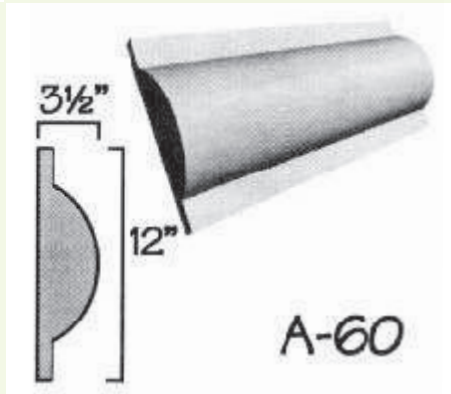
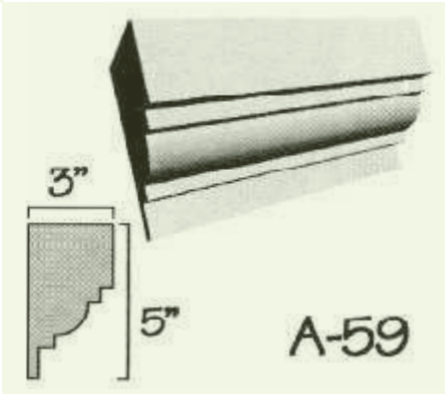
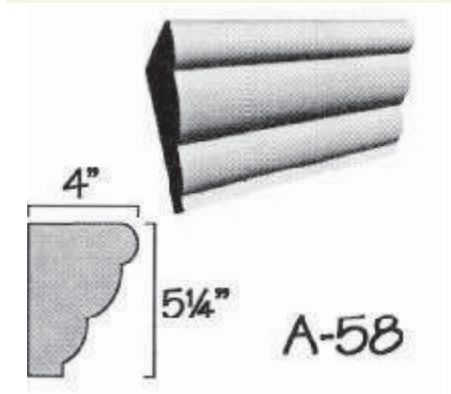
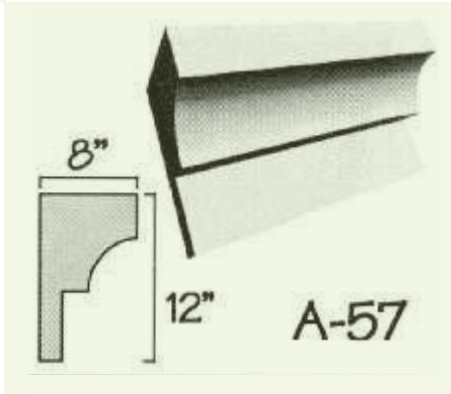
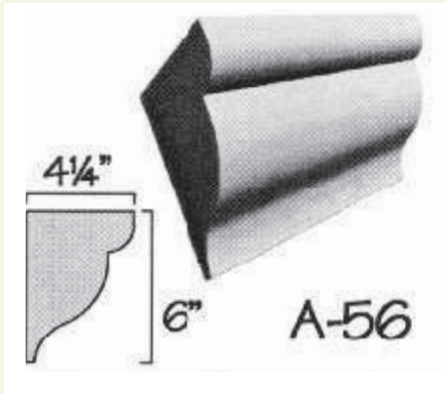
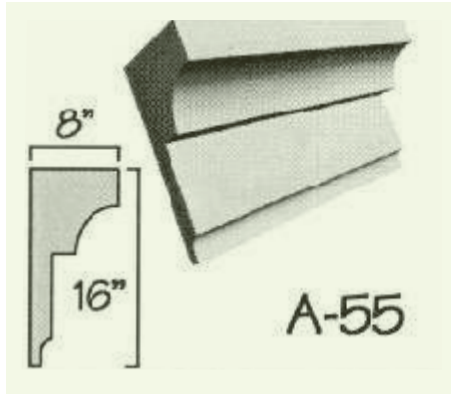
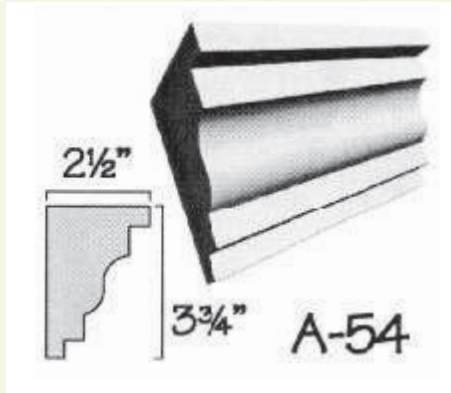
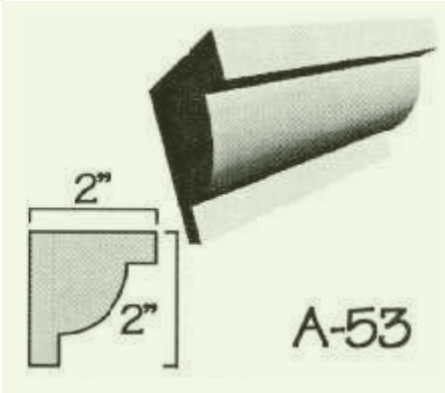
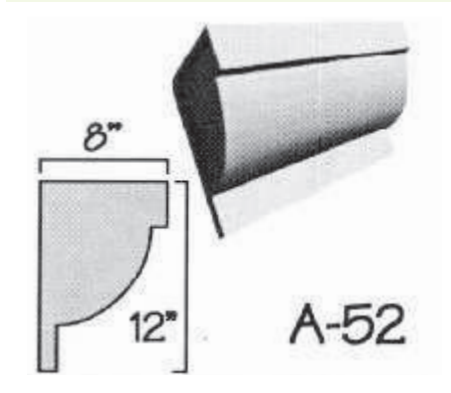
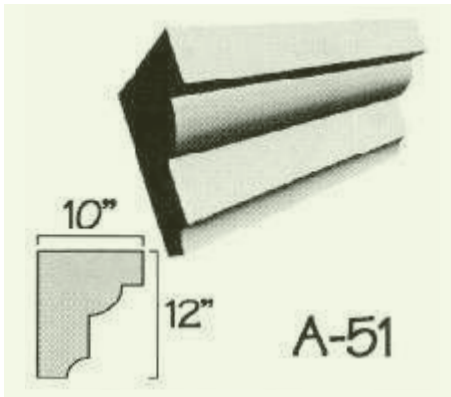
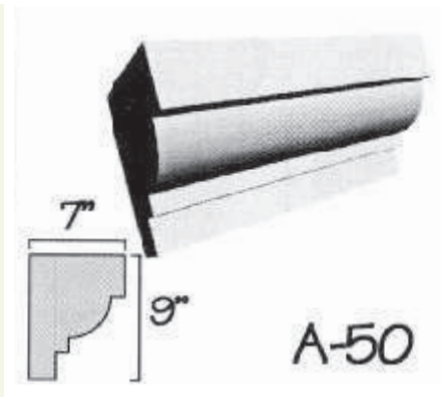
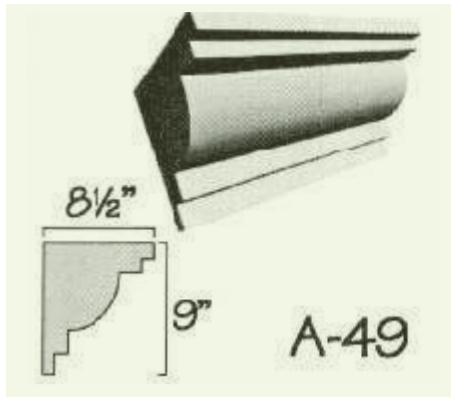
Please email your files or enquiries to customerservice@flowersgroup.com or call us on (345) 623 0000
Overseas Toll Free: 1 727 495 0107

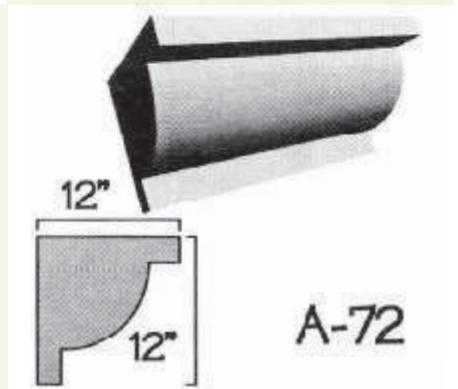
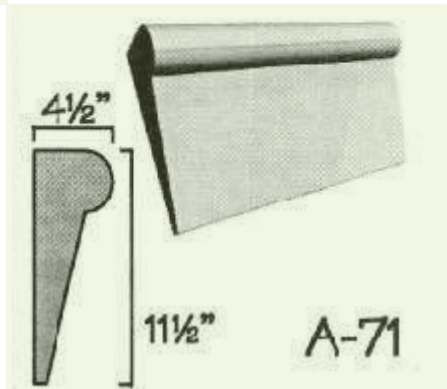
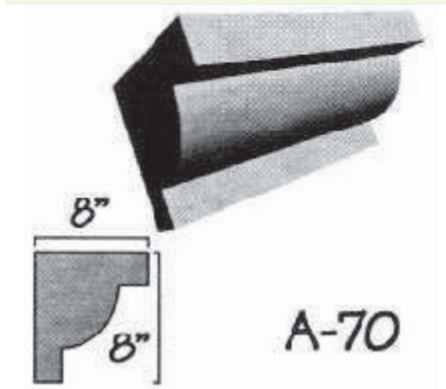
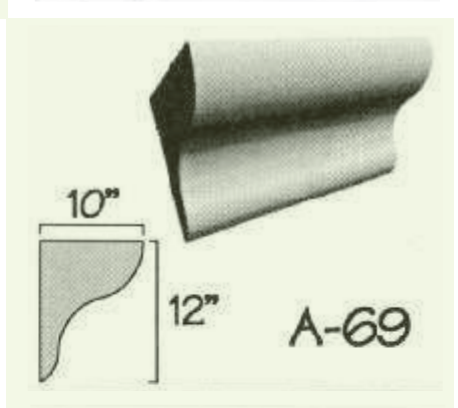
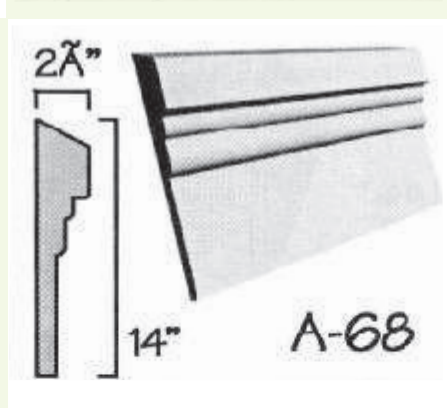
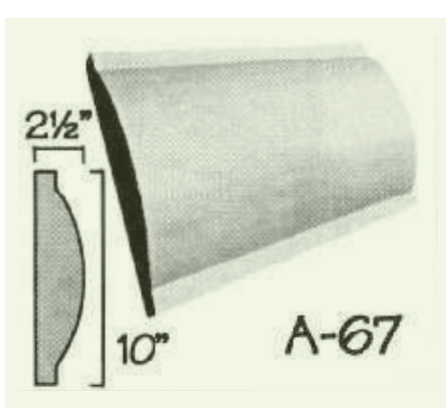
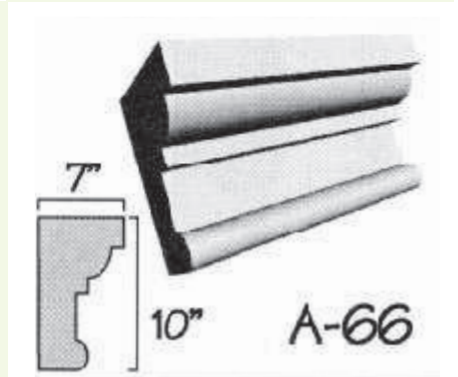
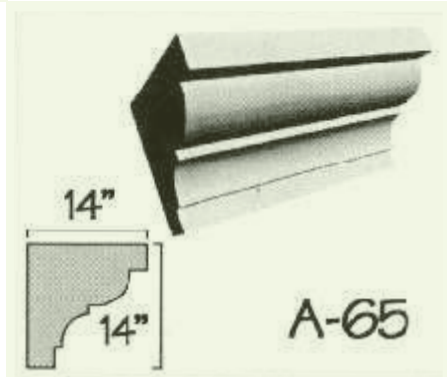
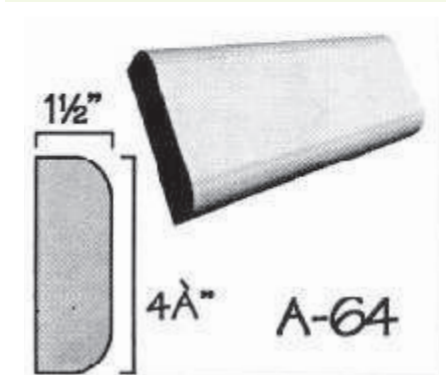
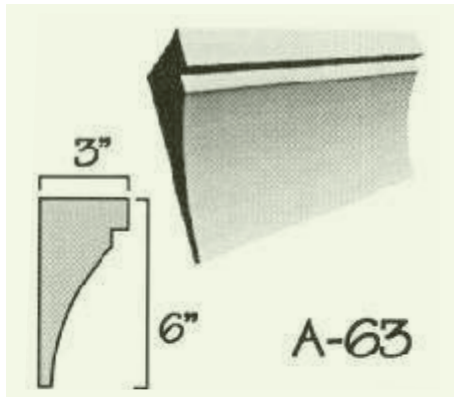
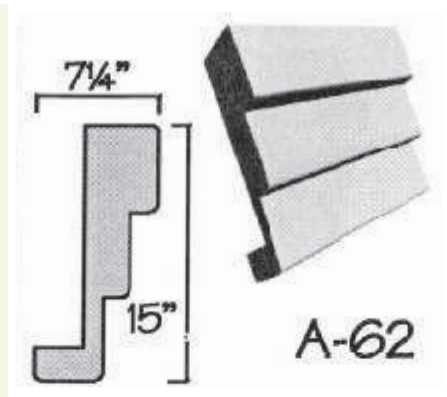
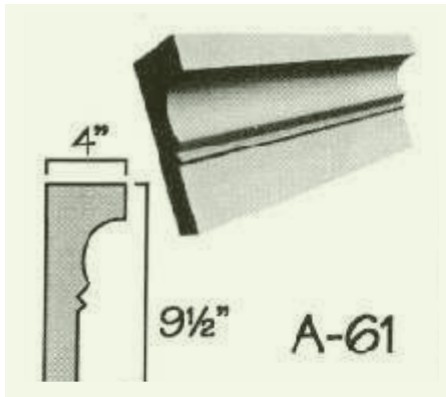


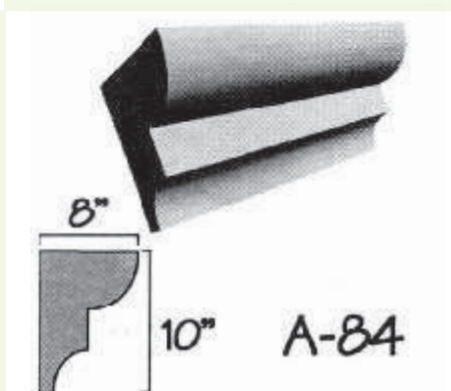
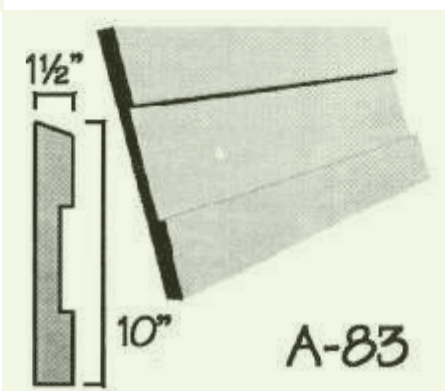
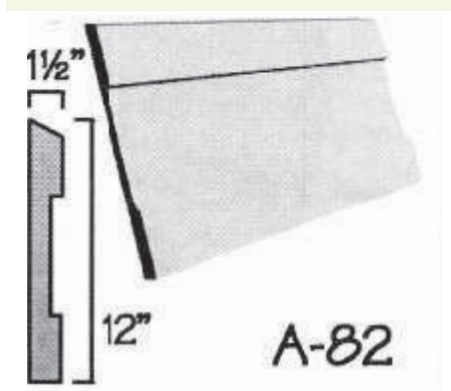
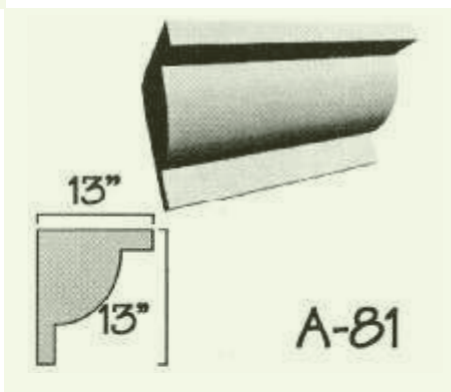
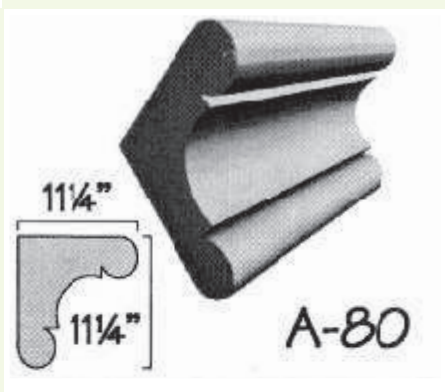
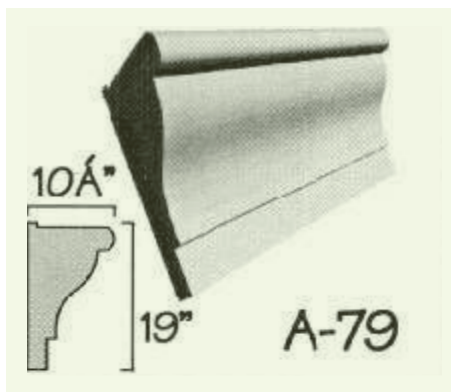
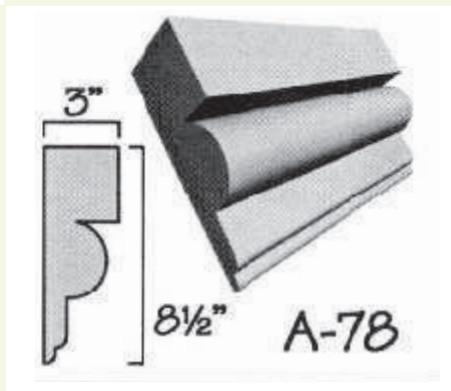
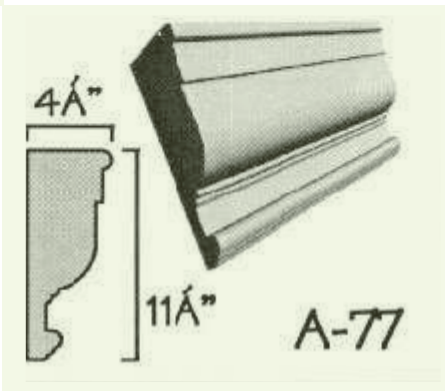
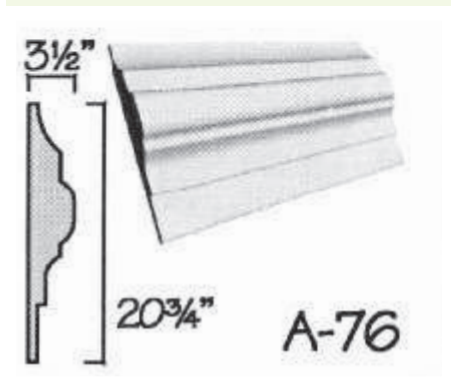
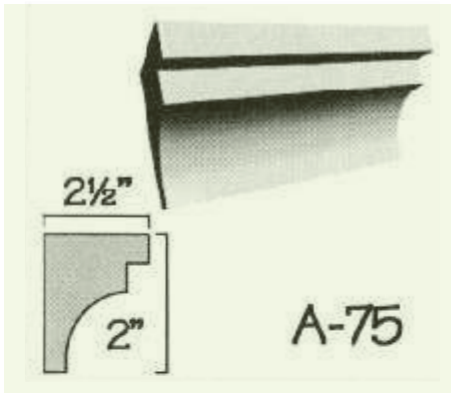
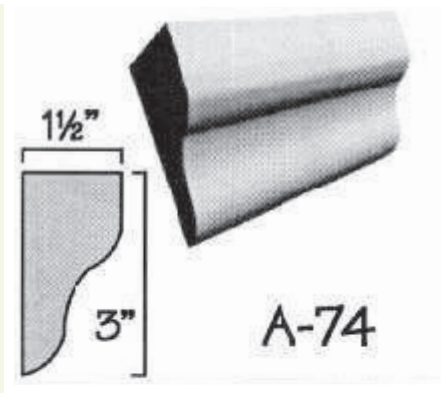
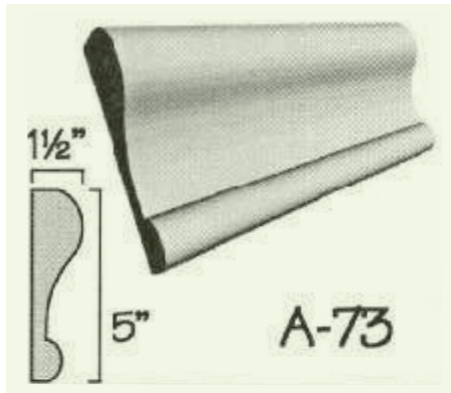


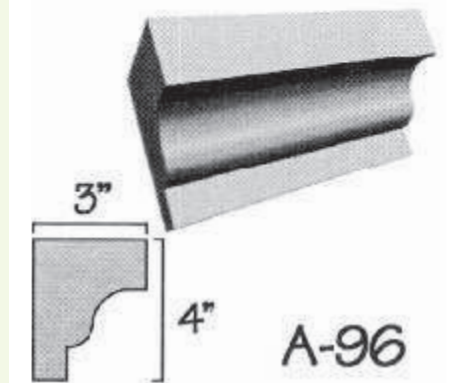
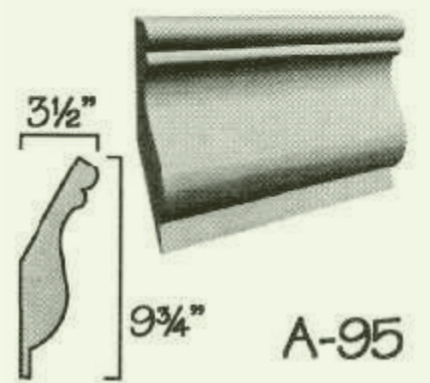
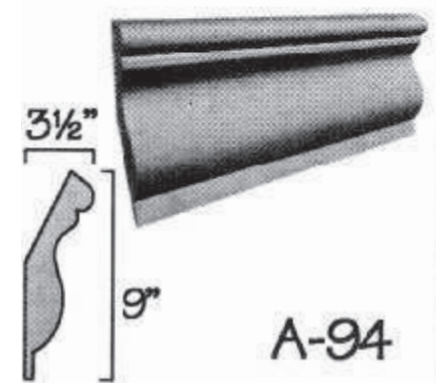
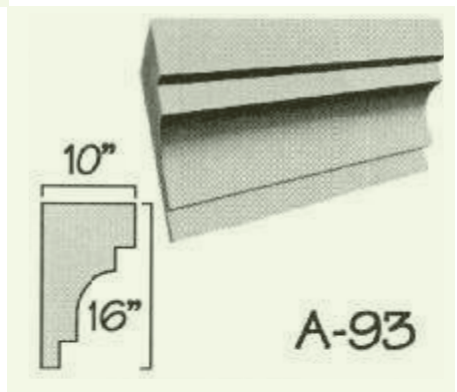
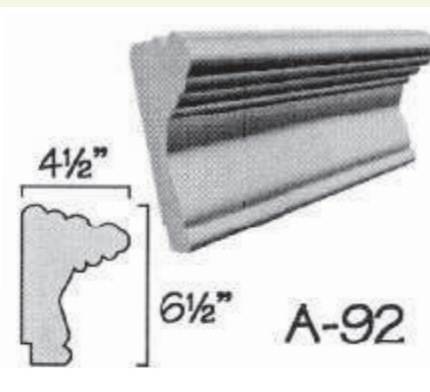
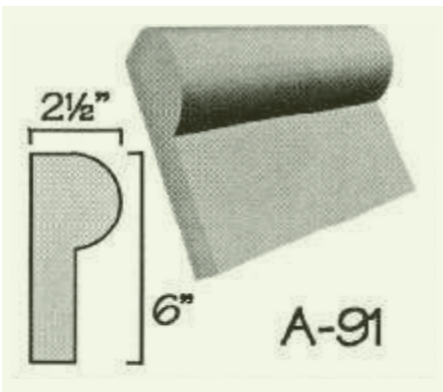
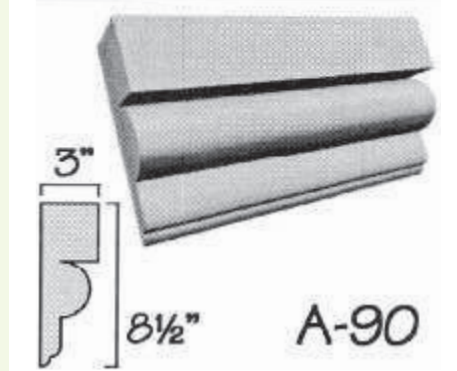
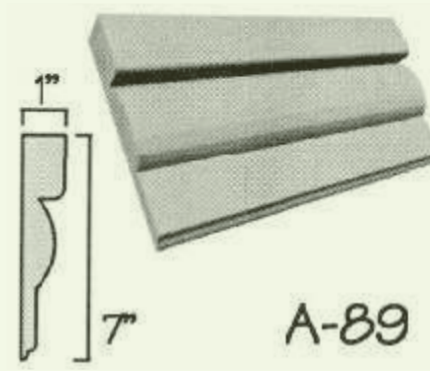
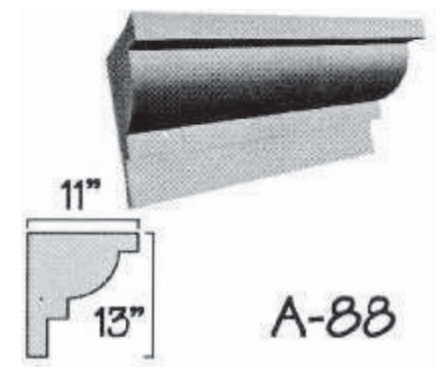
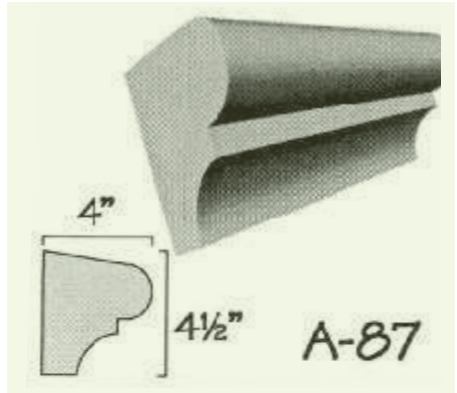
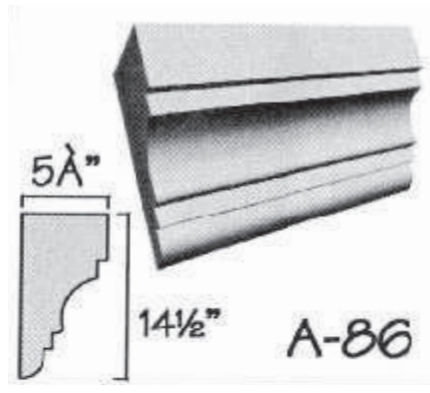
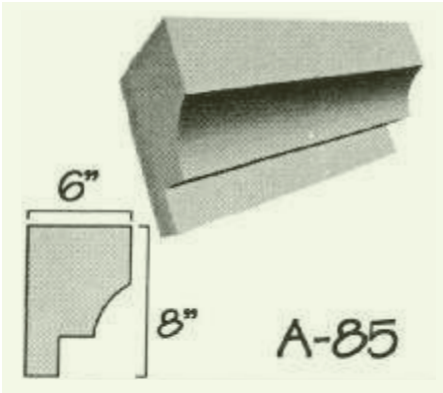


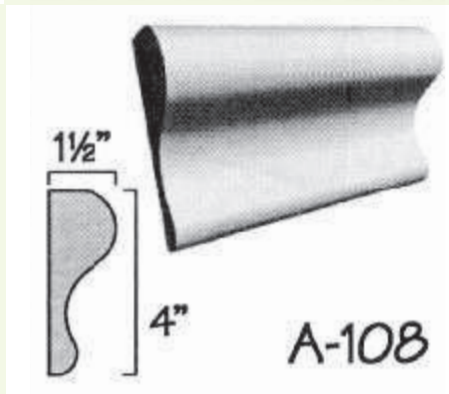
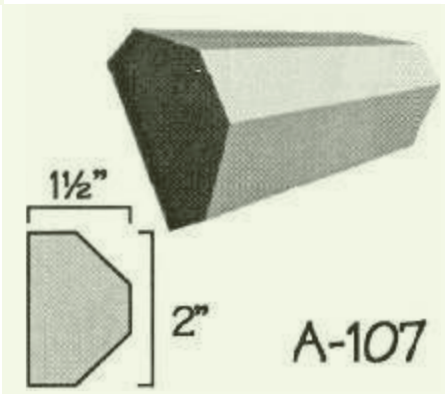
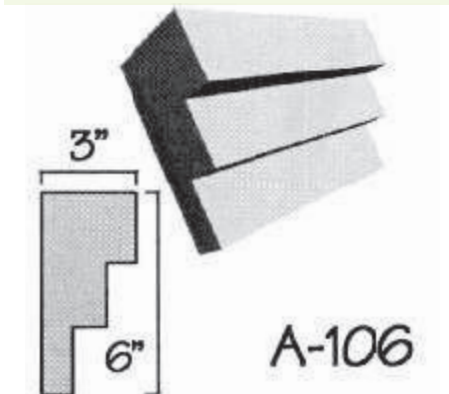
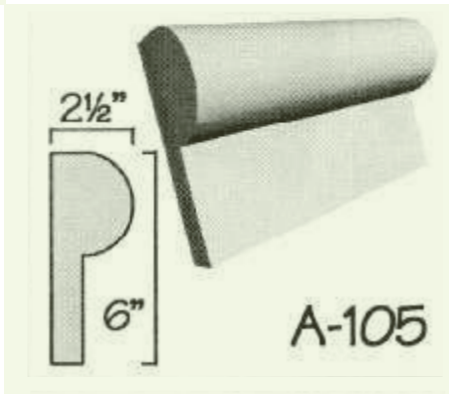
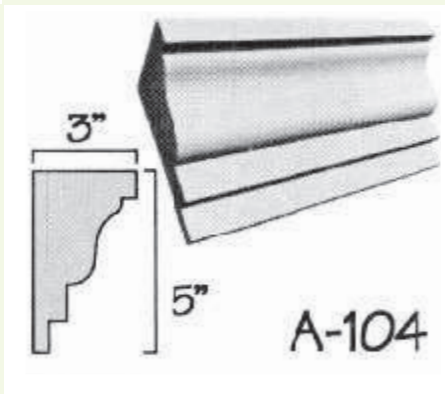
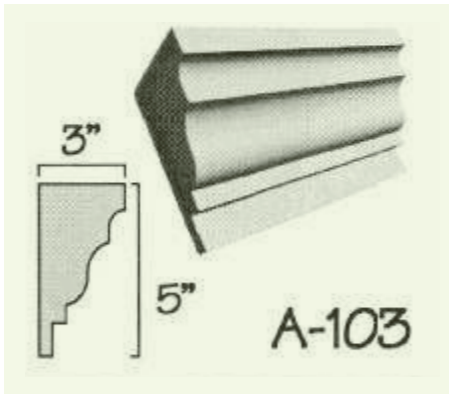
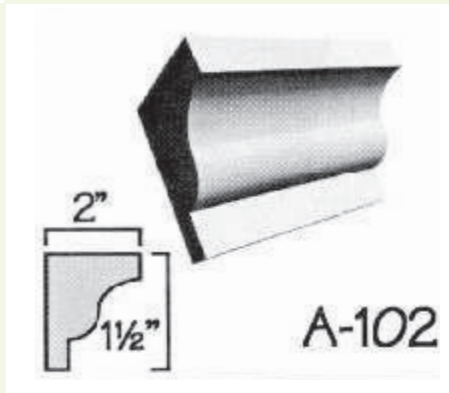
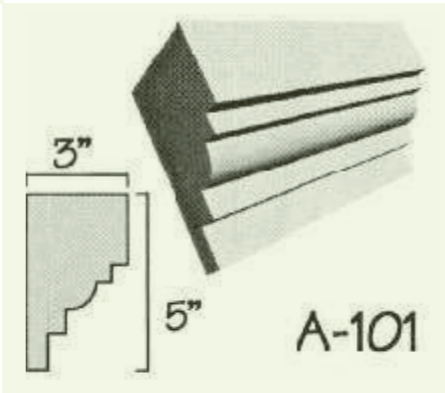
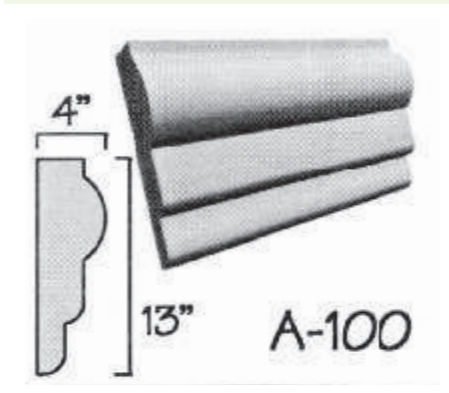
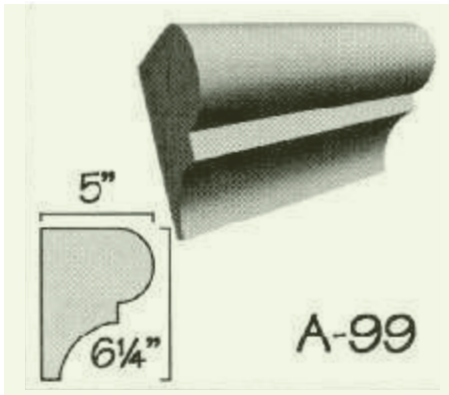
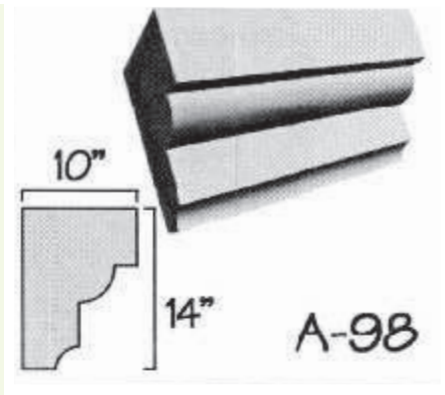
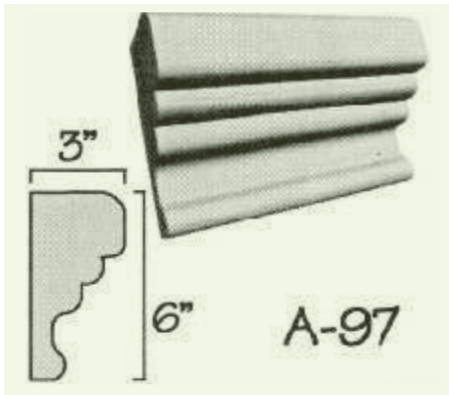


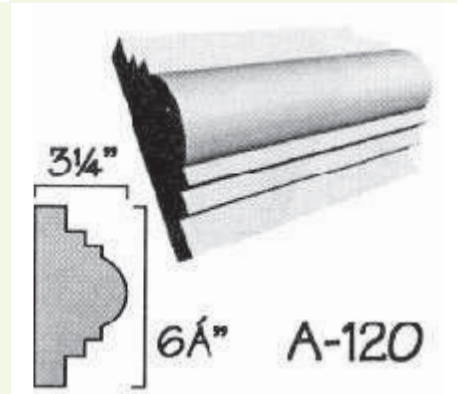
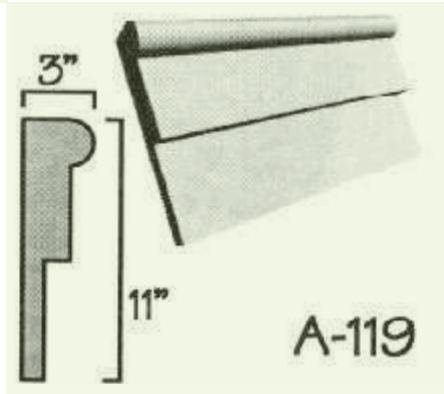
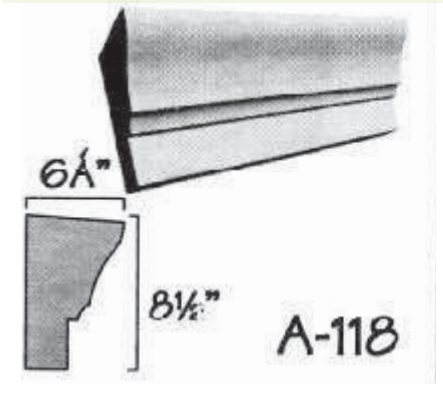
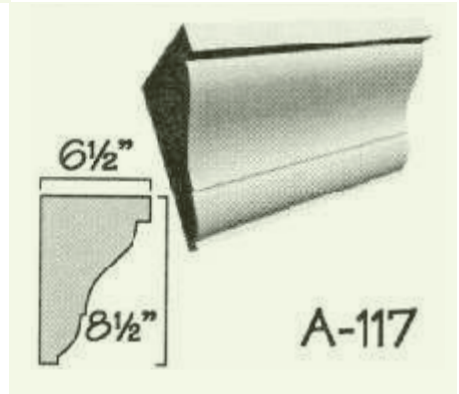
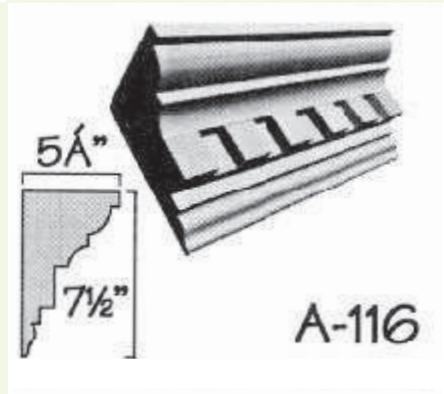
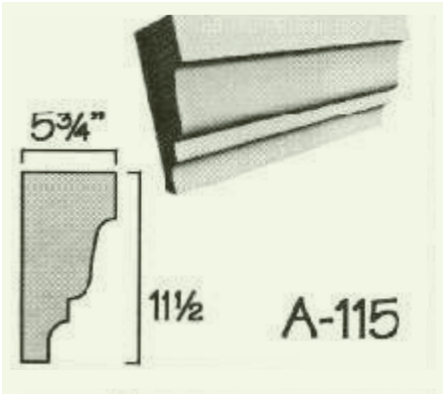
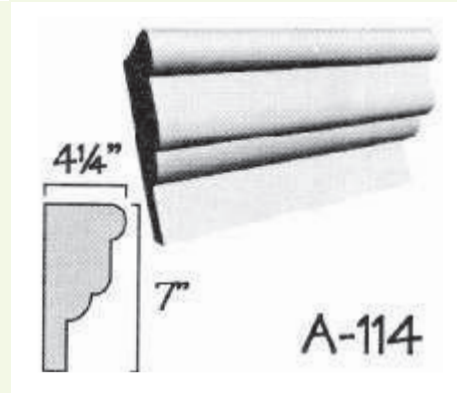
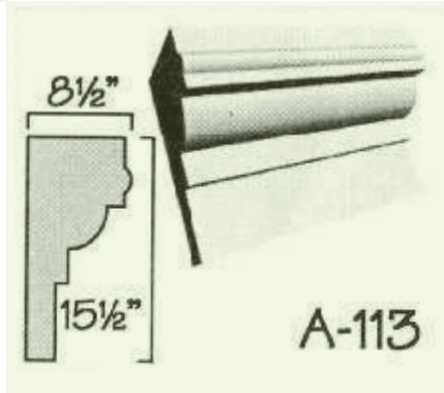
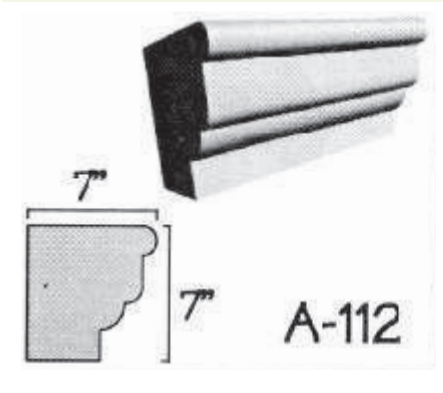
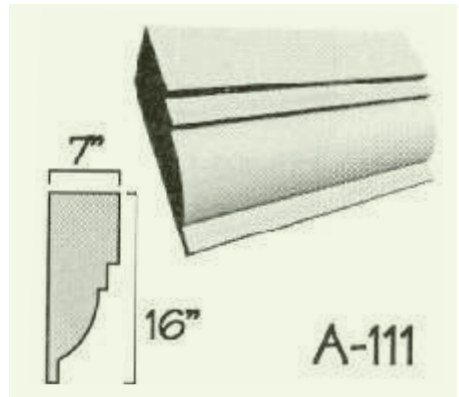
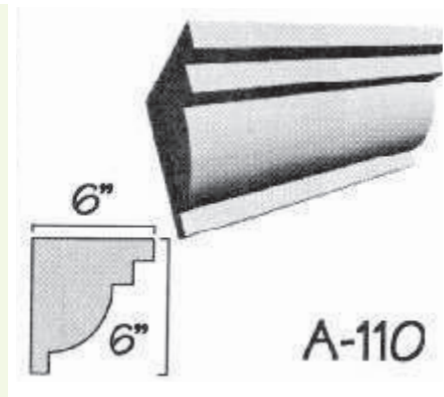
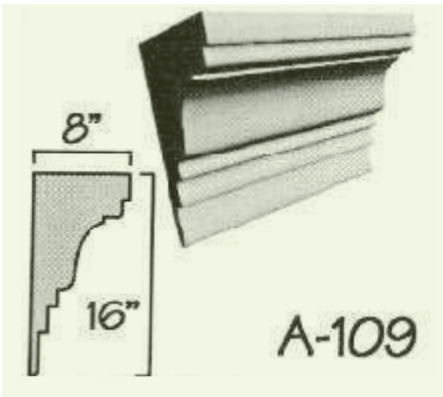


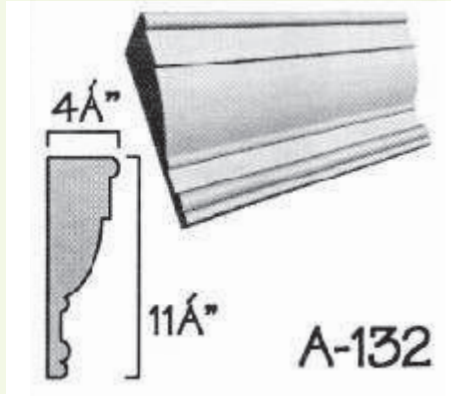
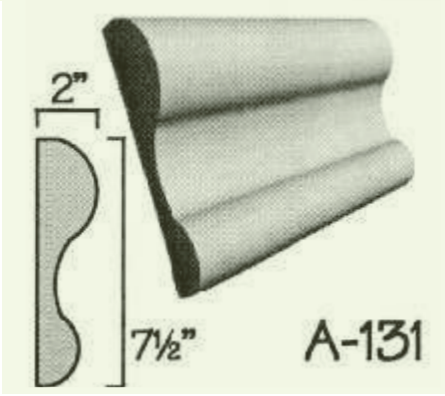
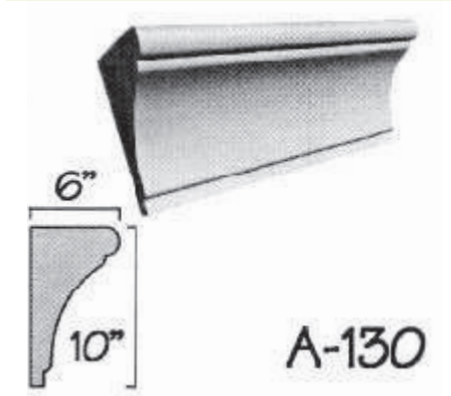
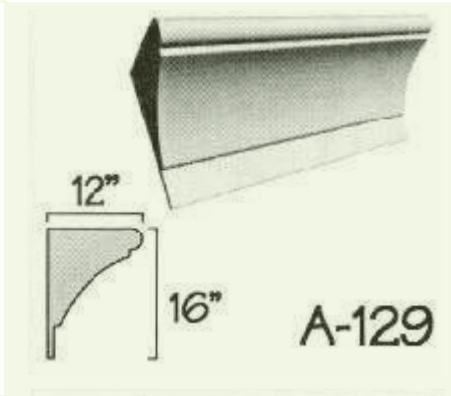
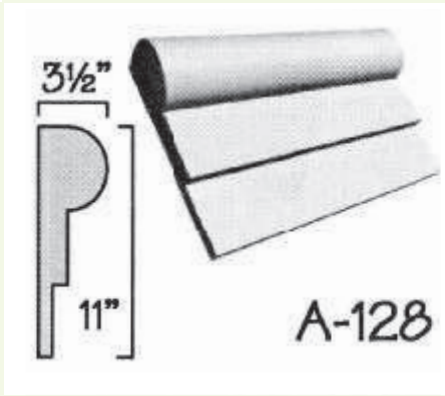
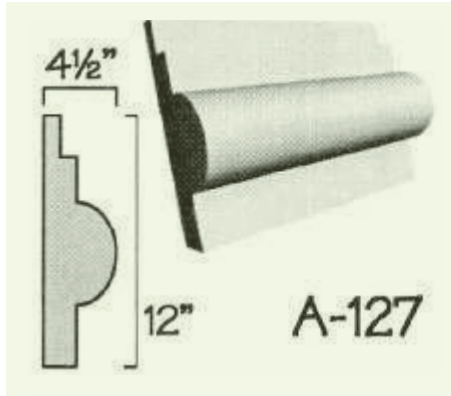
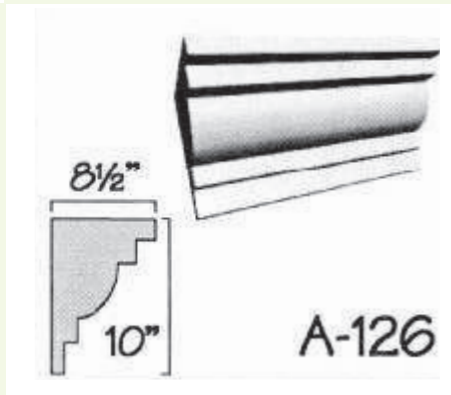
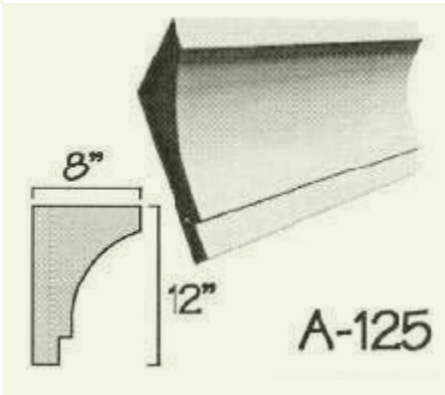
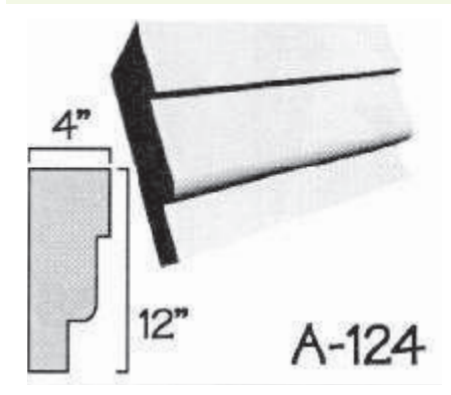
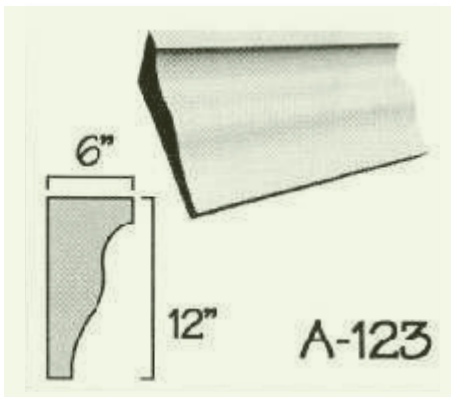
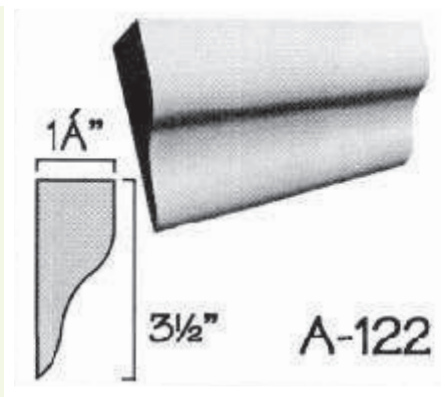
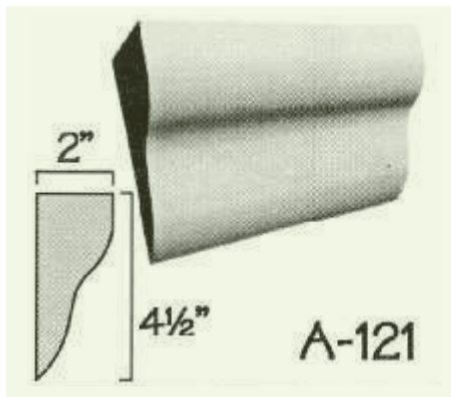


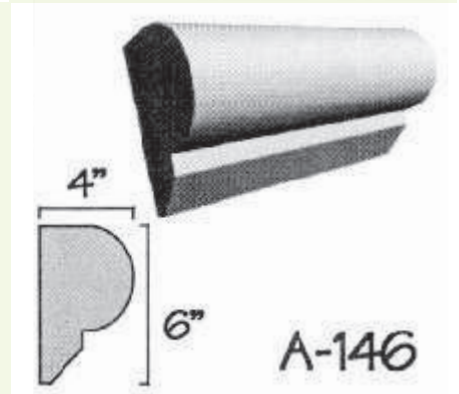
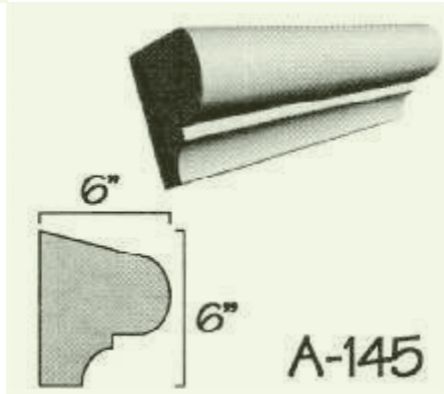
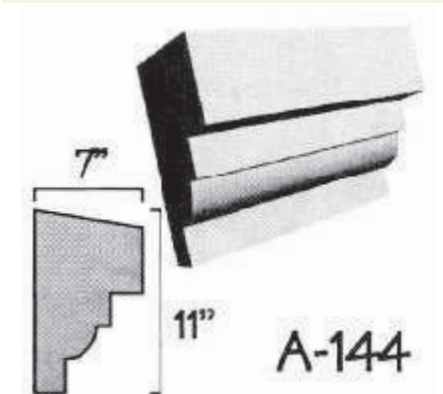
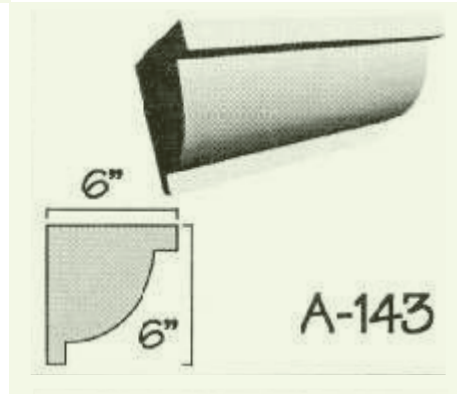
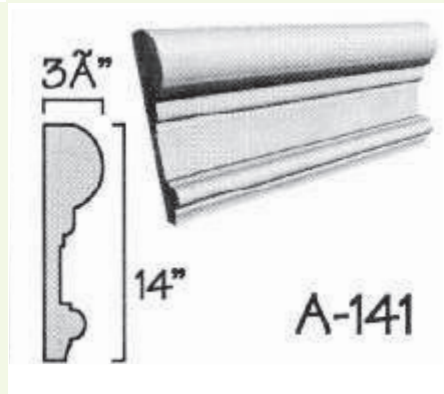
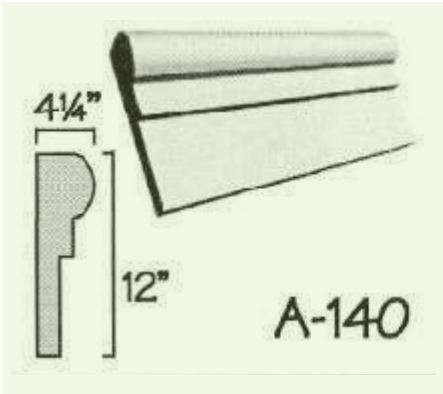
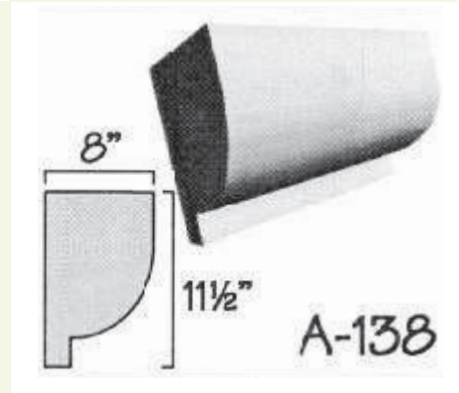
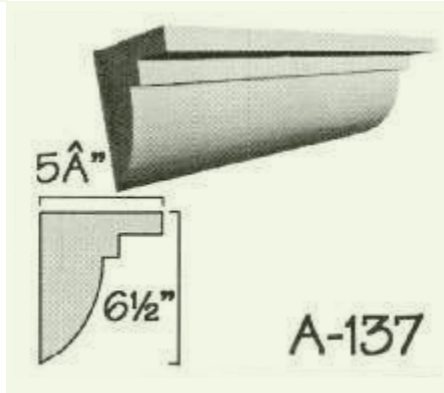
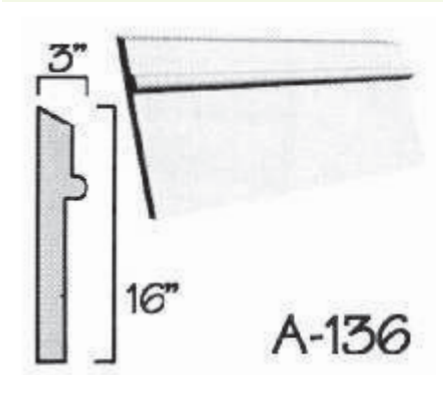
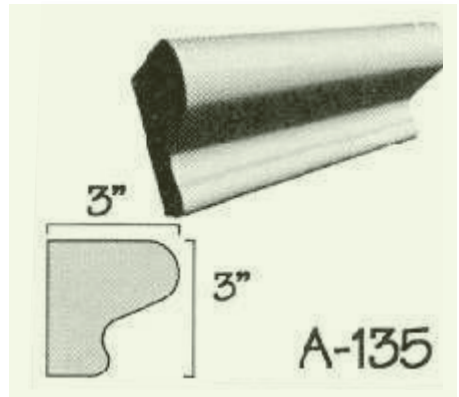
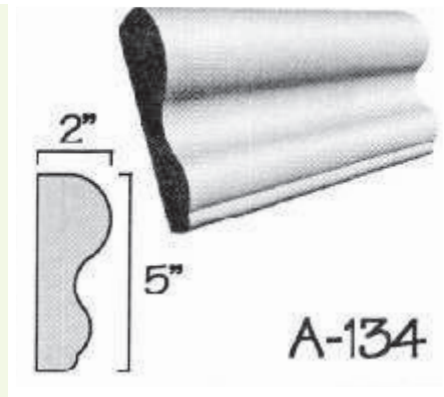
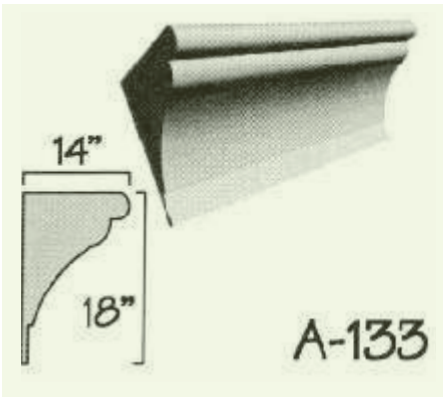


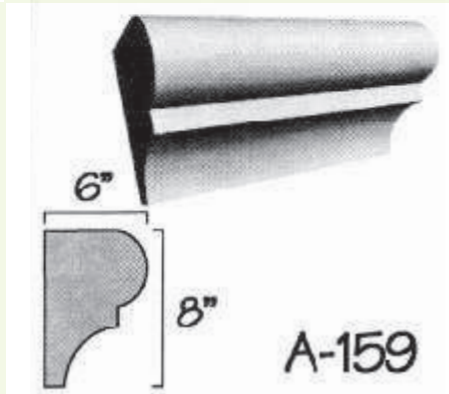
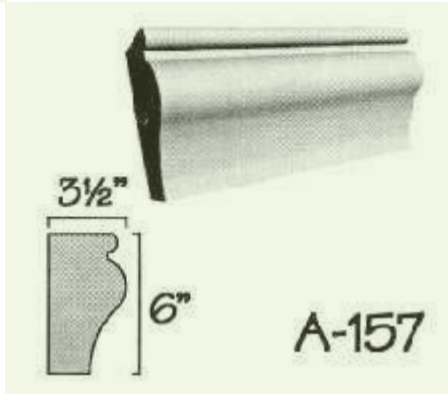
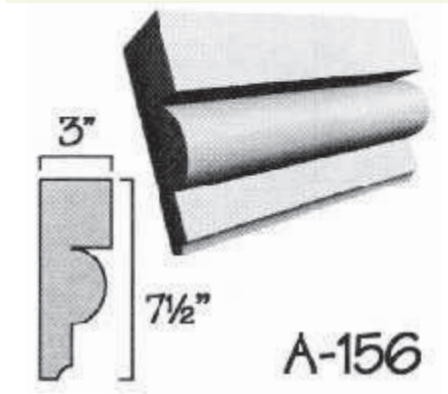
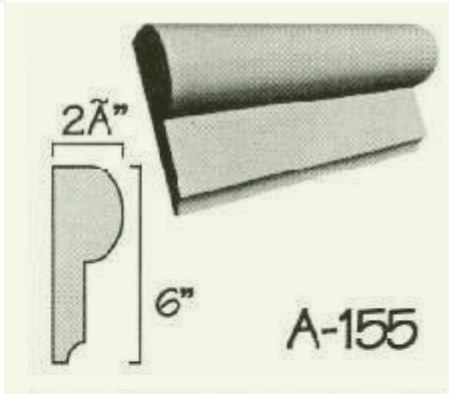
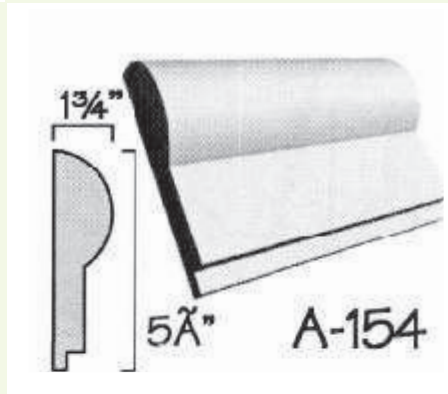
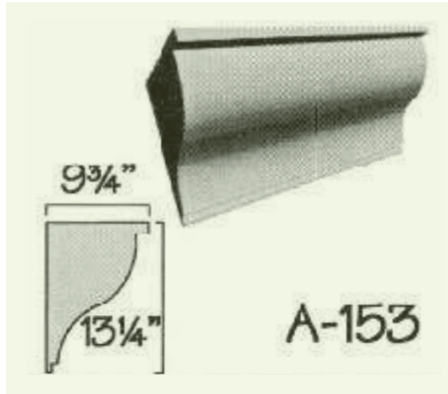
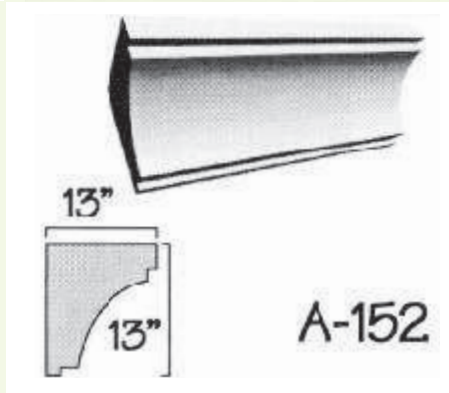
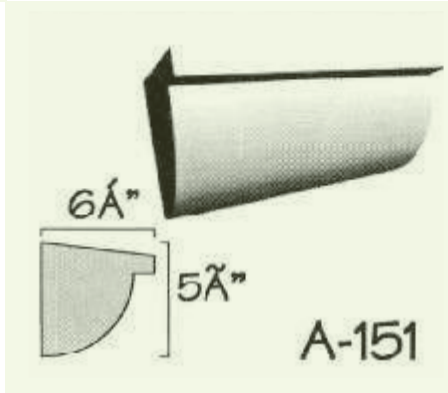
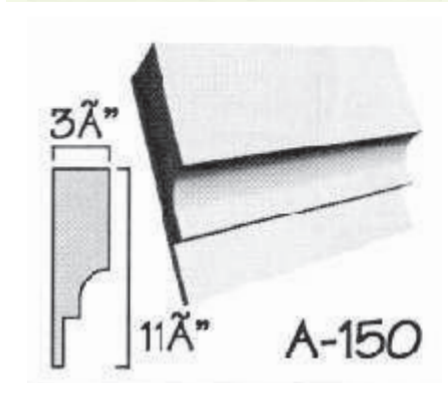
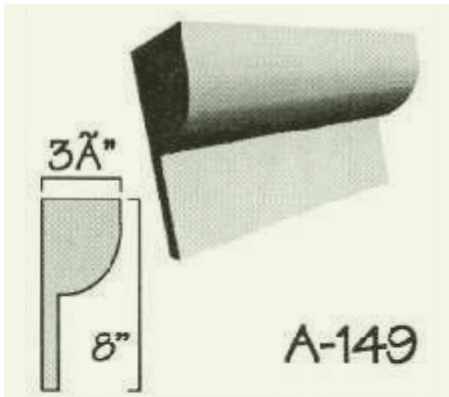
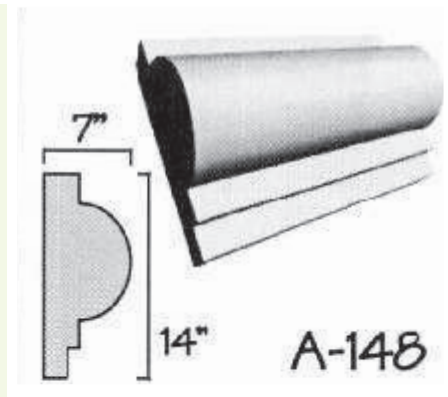
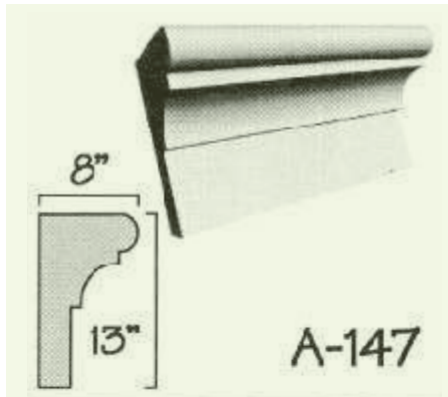


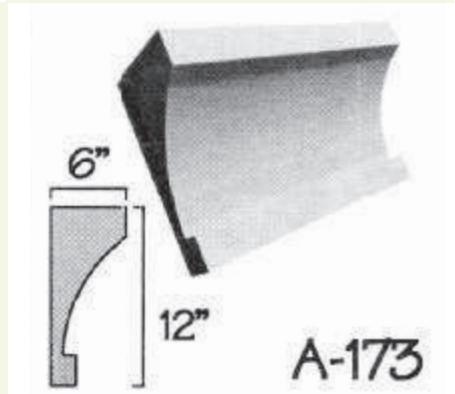
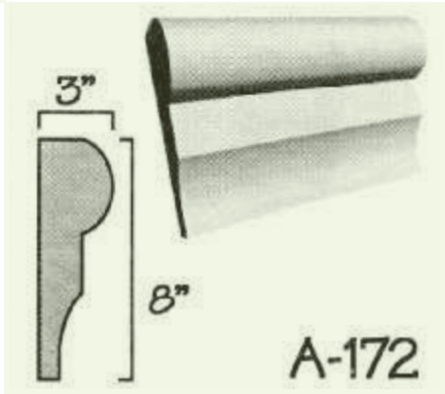
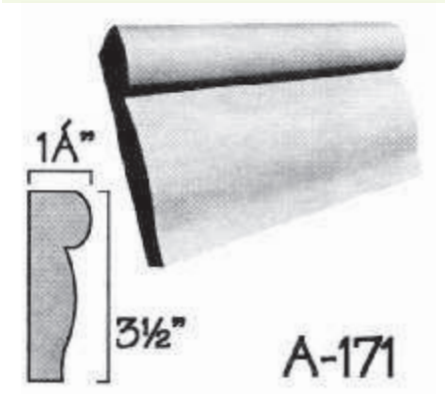
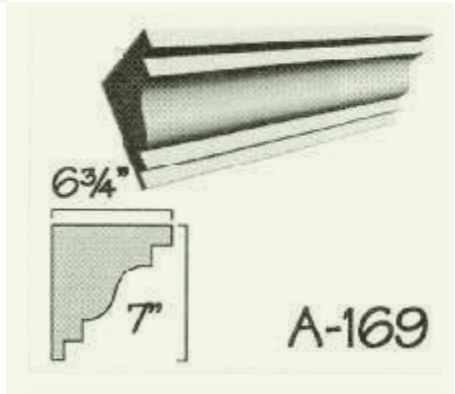
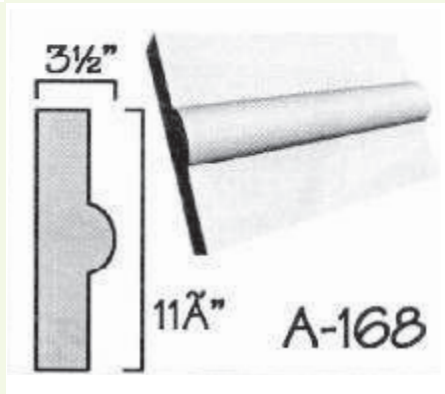
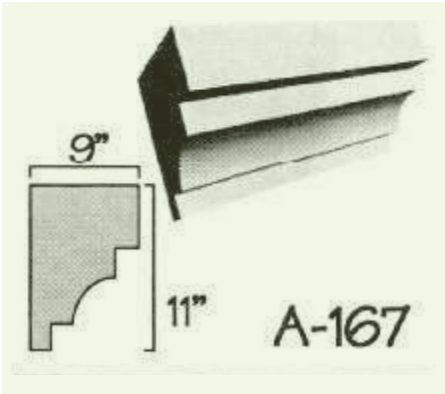
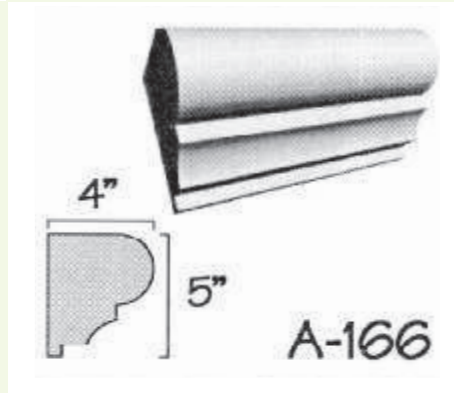
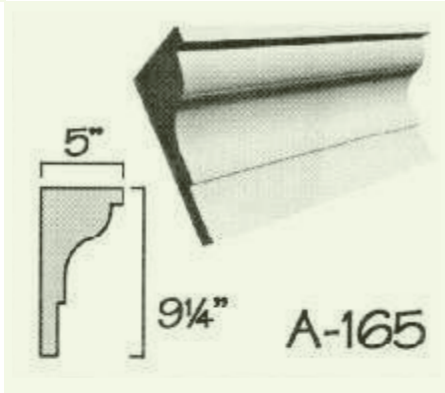
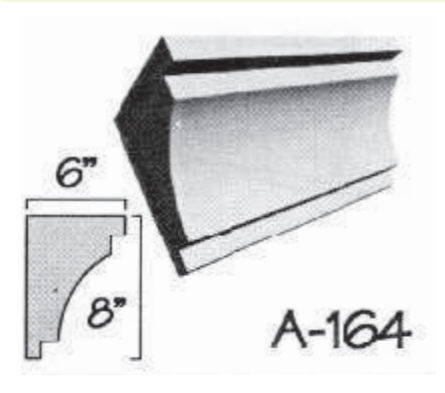
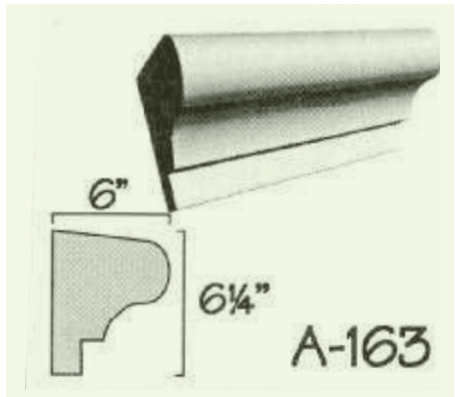
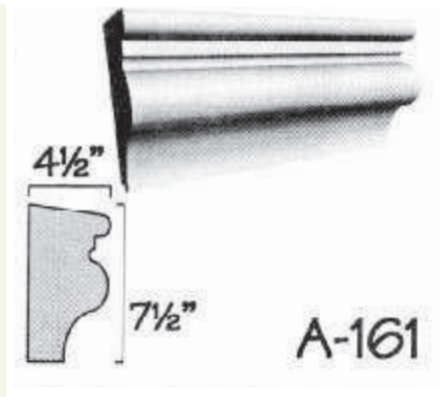
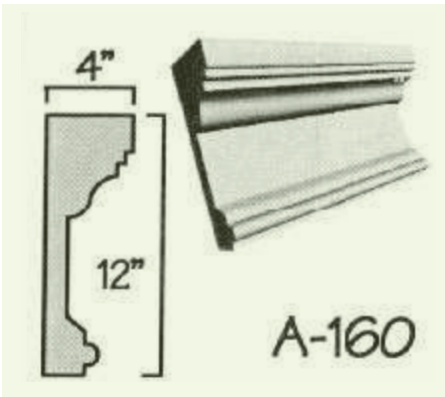


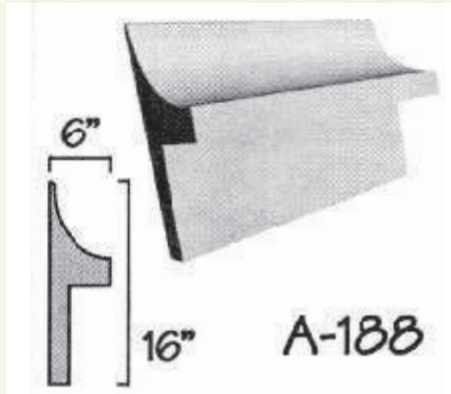
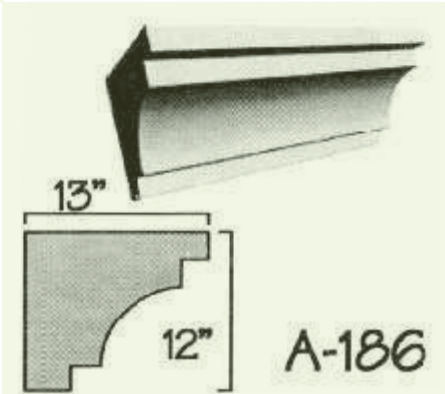
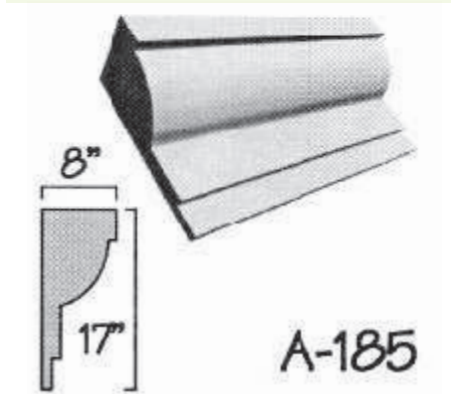
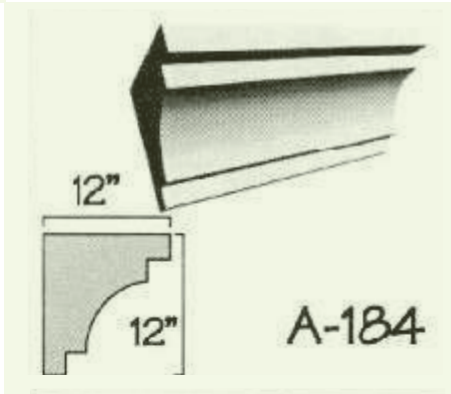
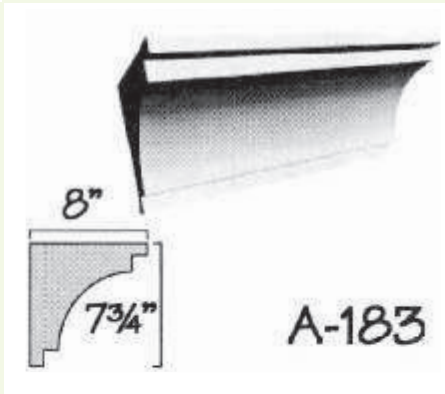
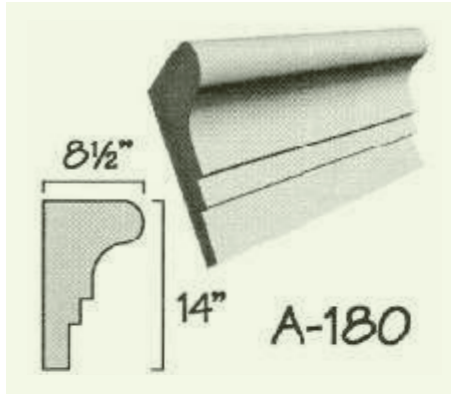
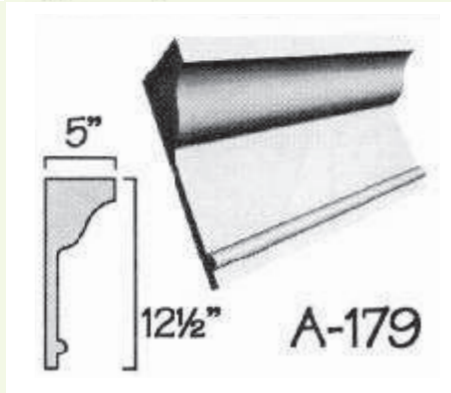
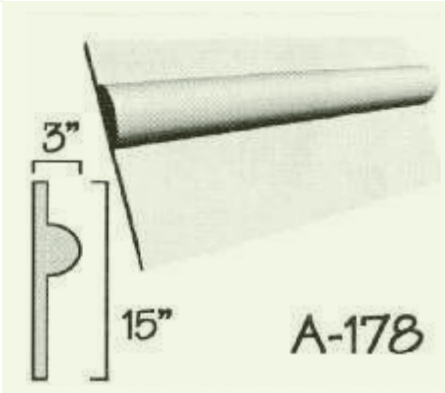
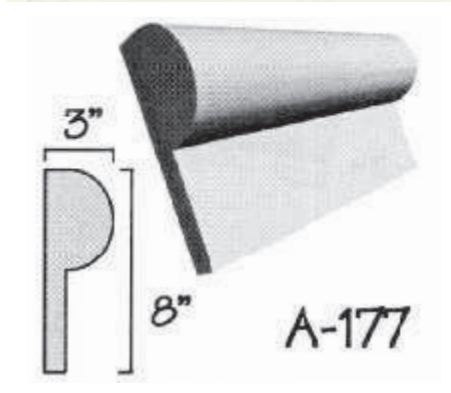
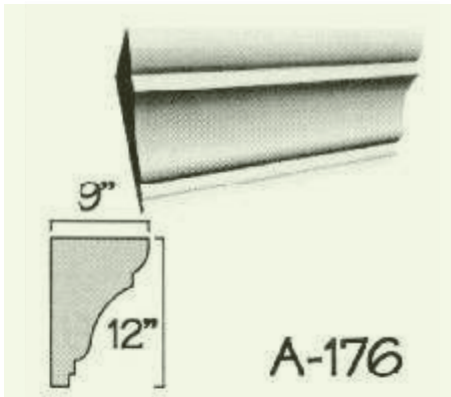
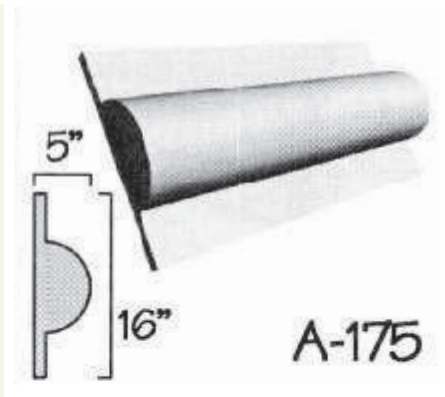
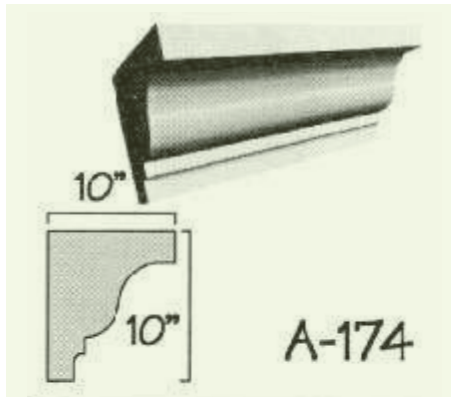


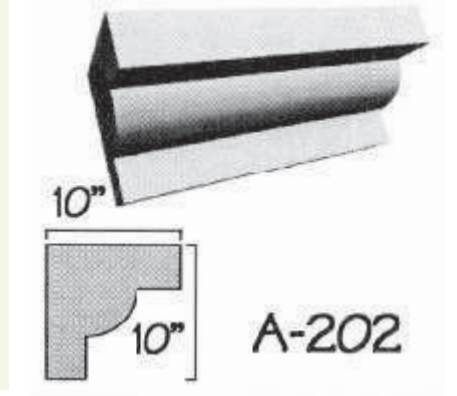
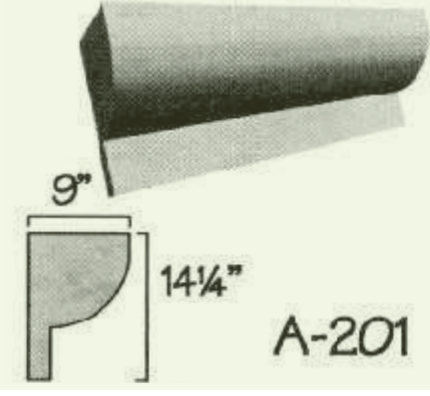
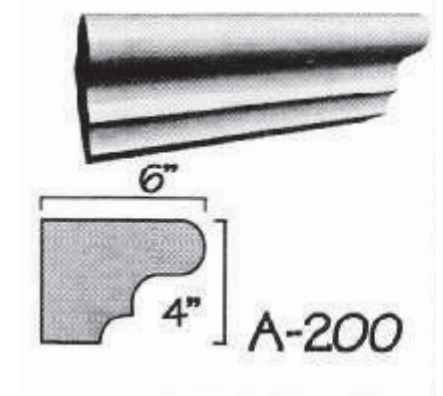
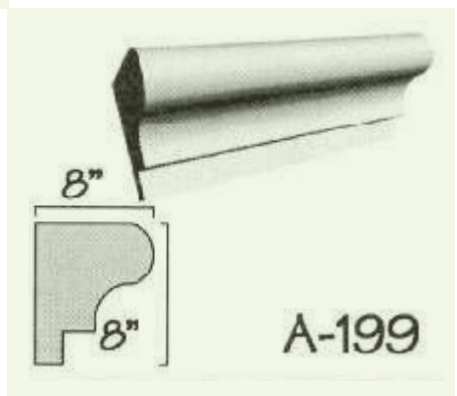
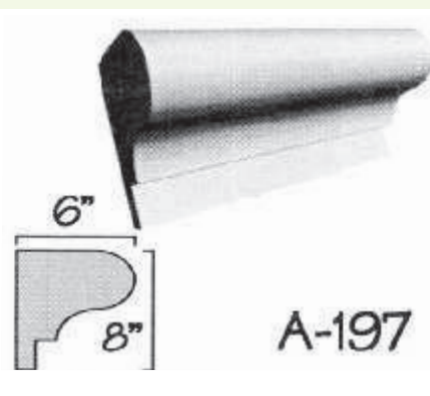
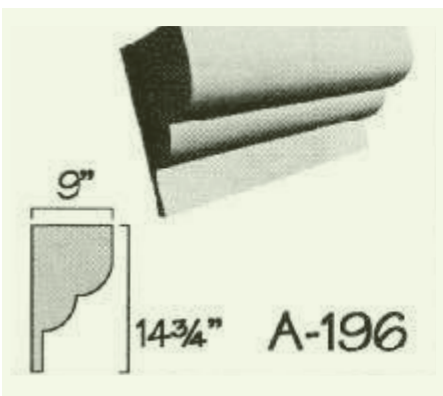
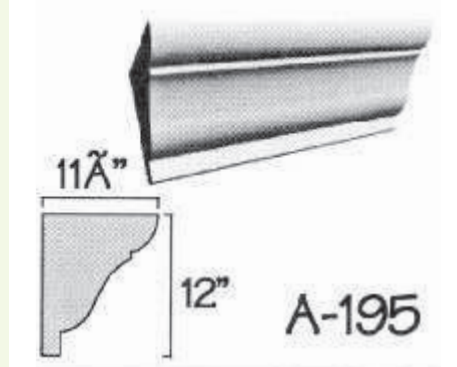
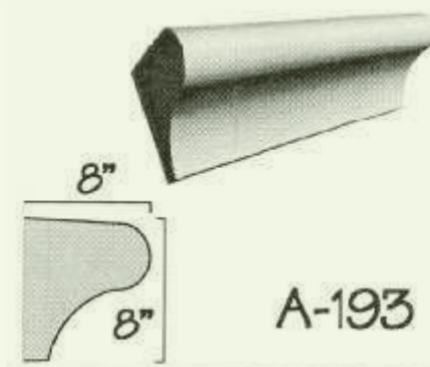
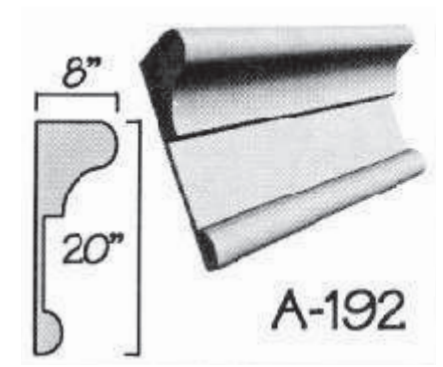
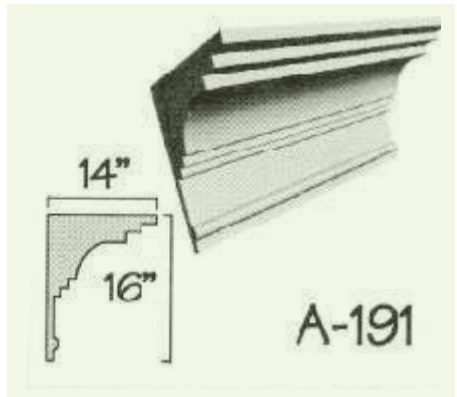
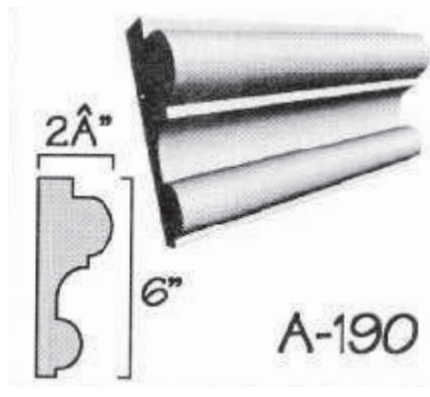
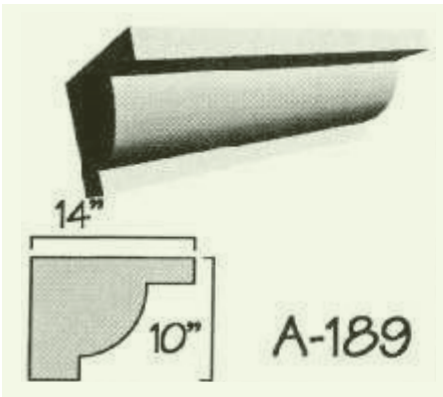


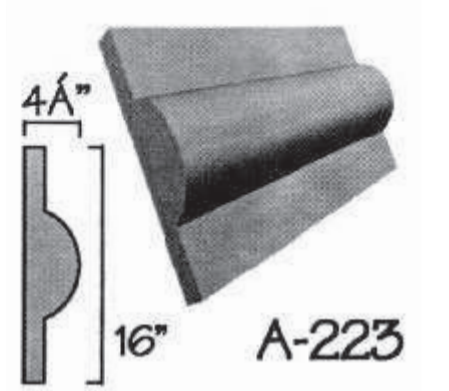
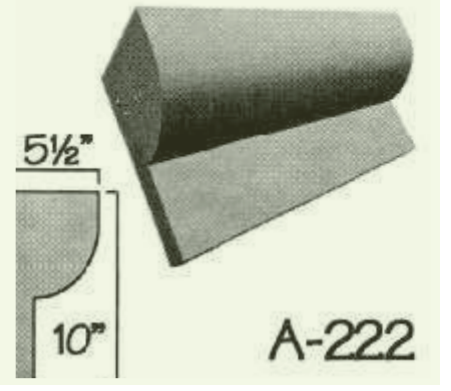
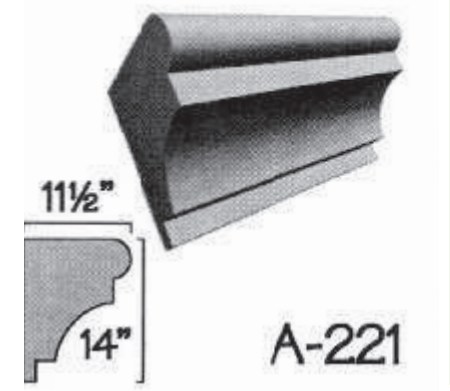
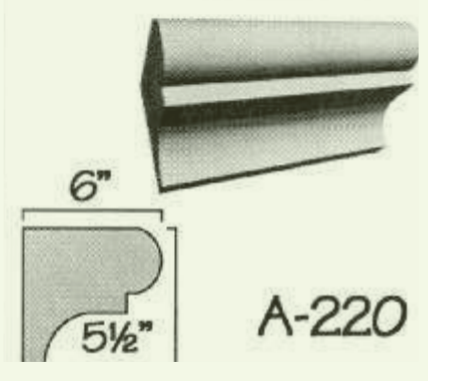
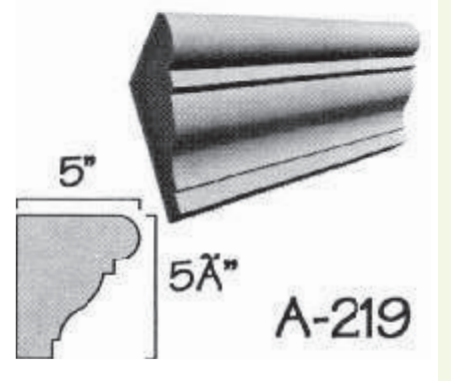
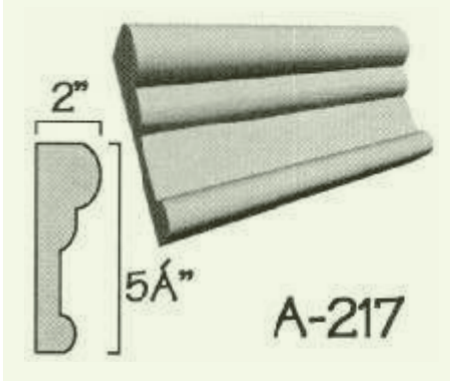
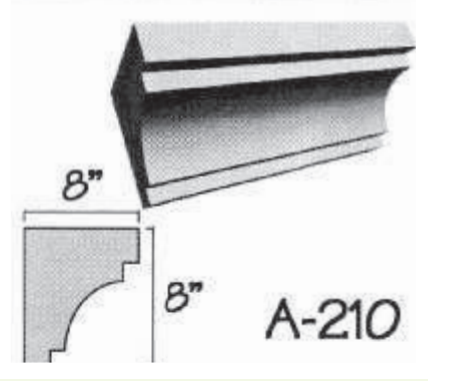
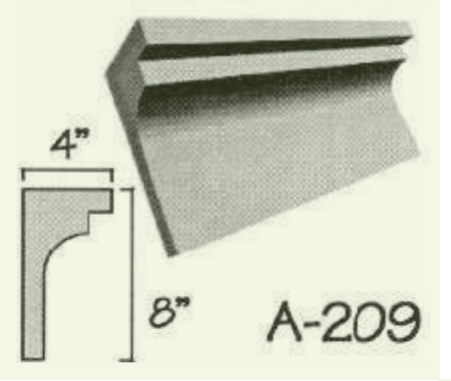
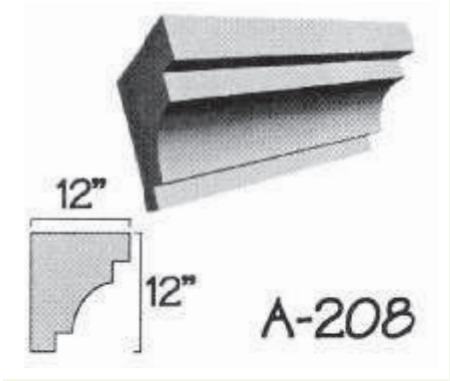
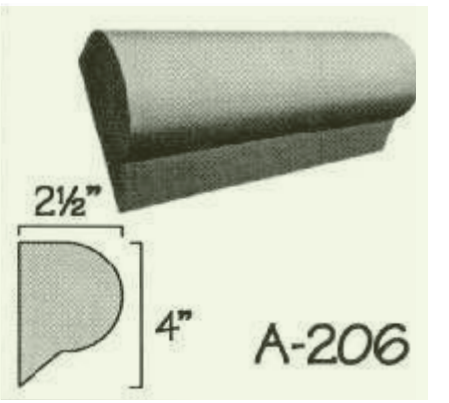
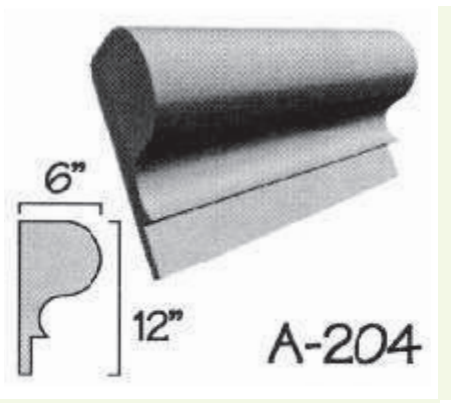
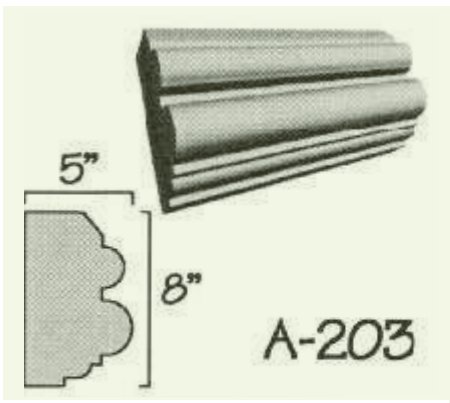


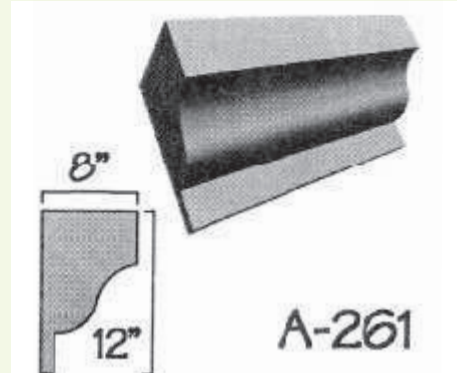
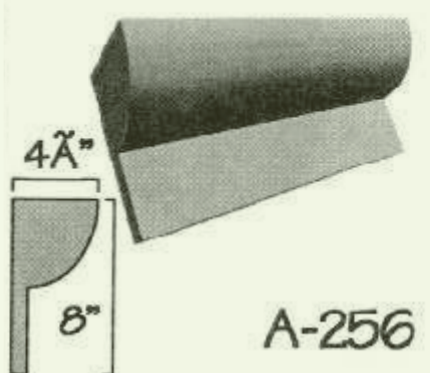
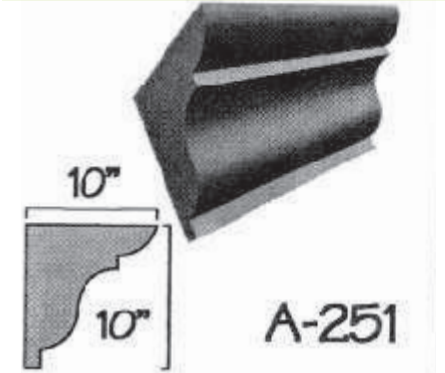
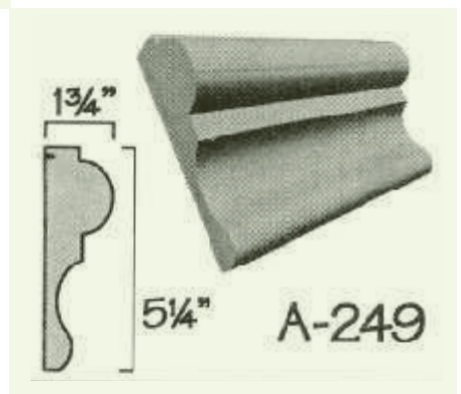
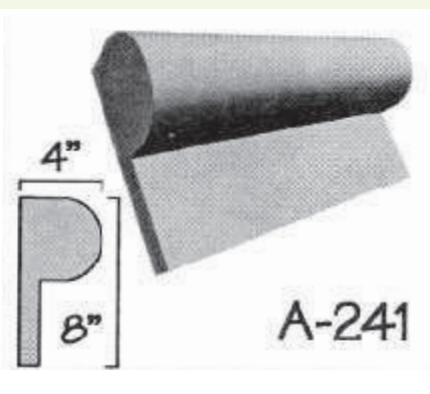
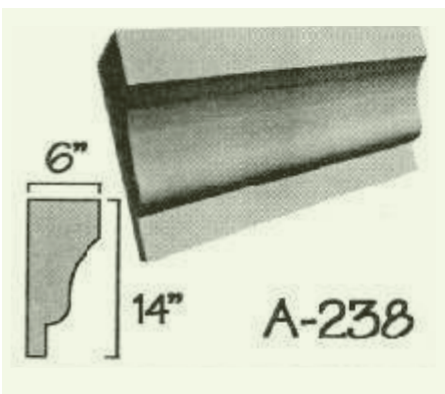
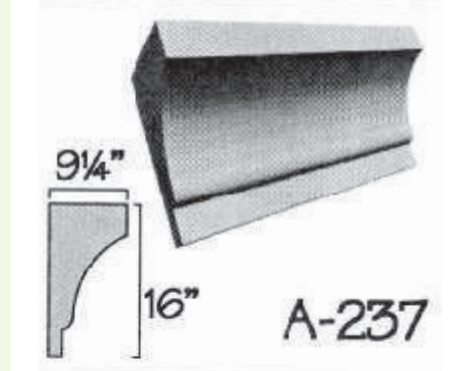
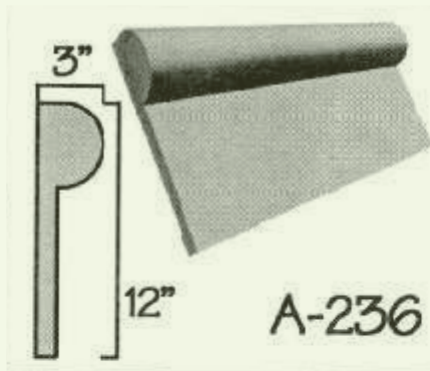
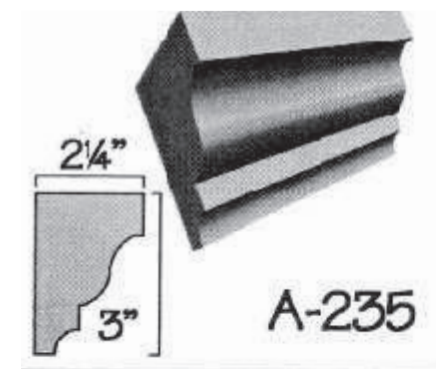
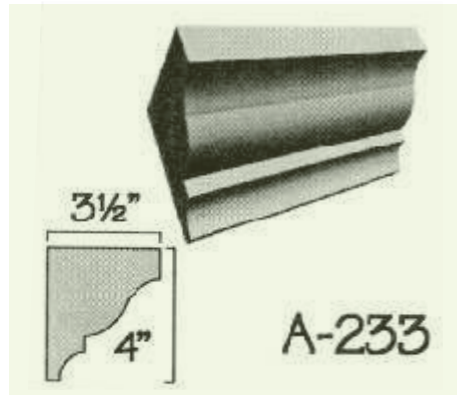
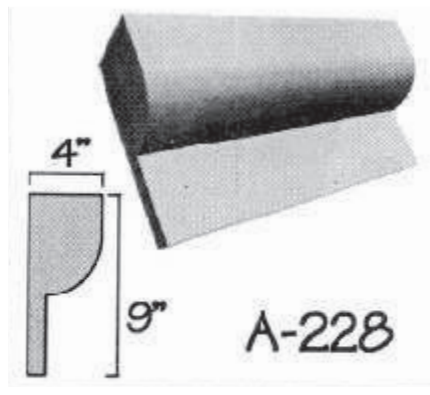
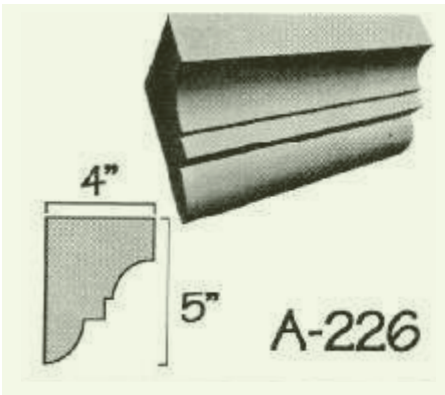


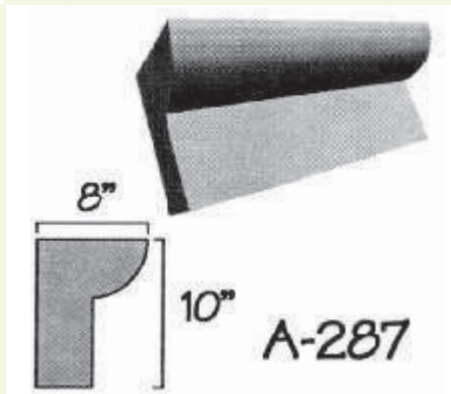
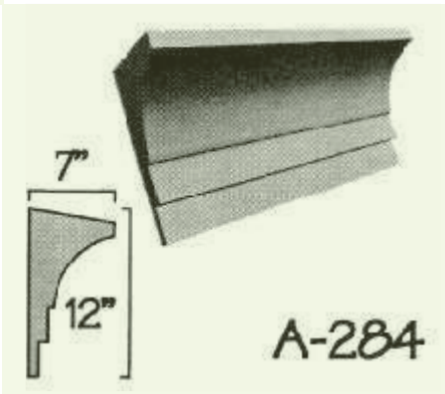
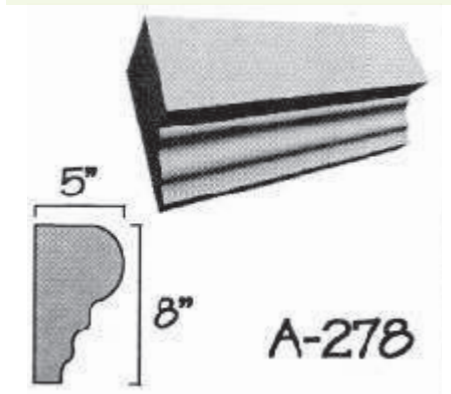
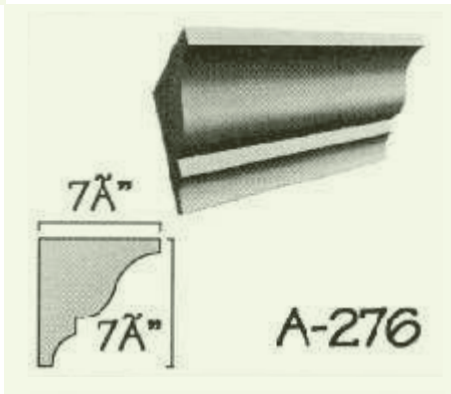
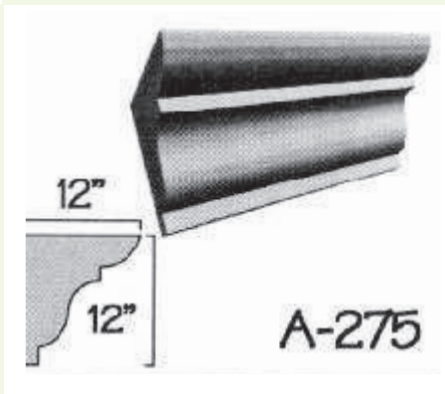
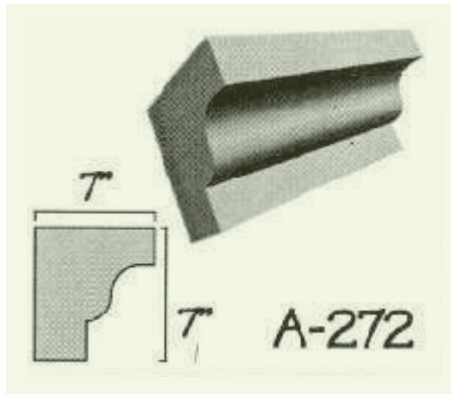
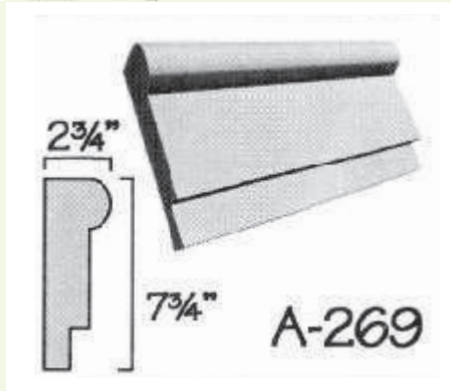
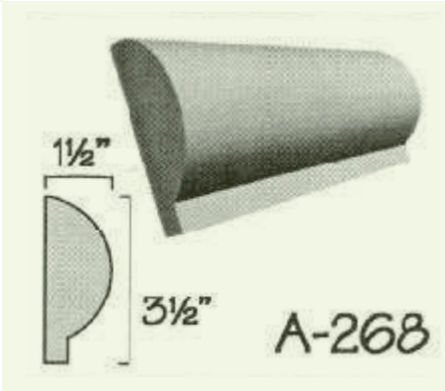
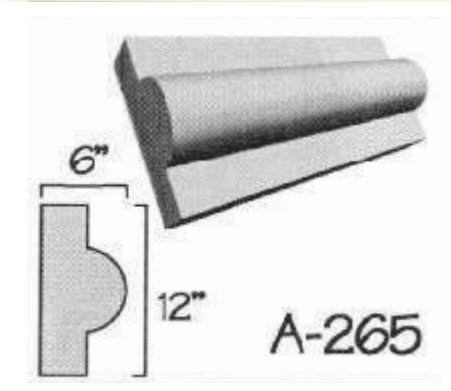
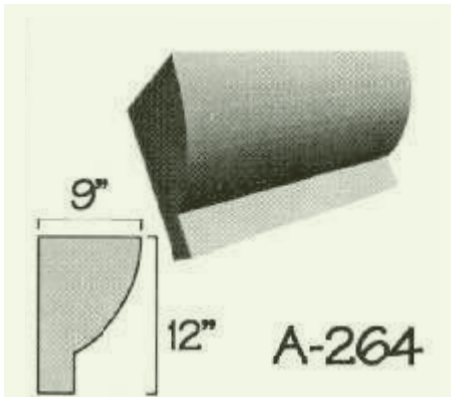
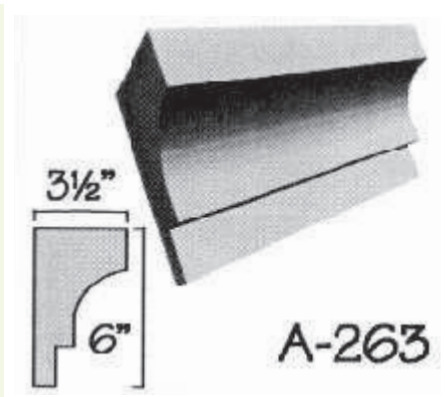
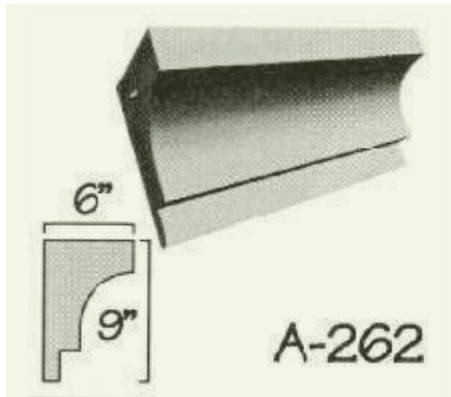


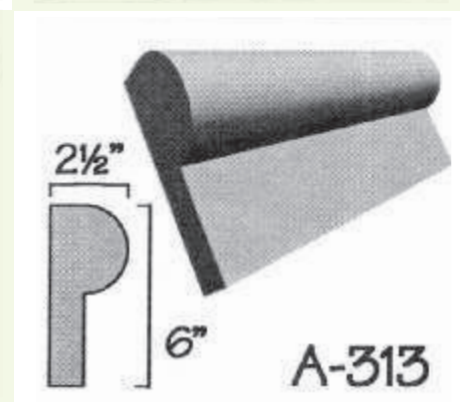
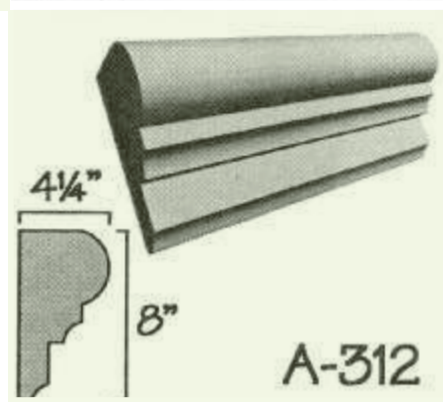
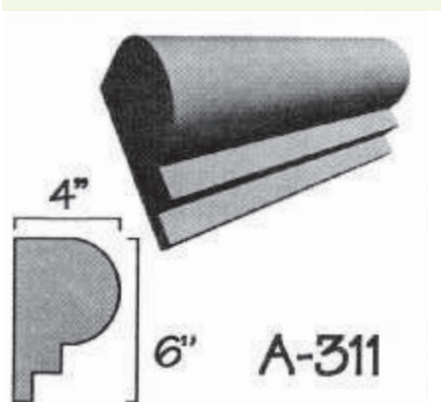
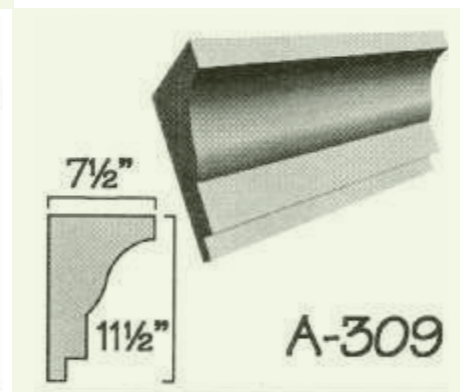
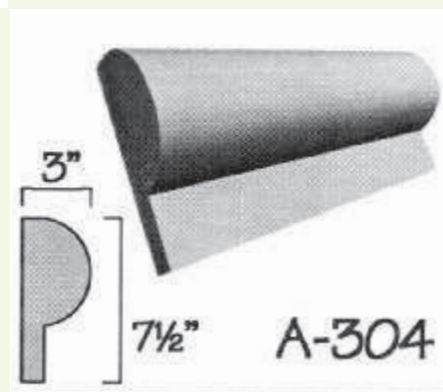
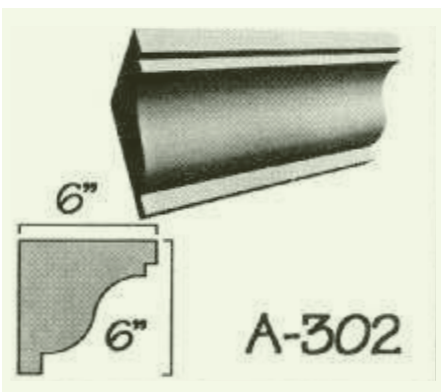
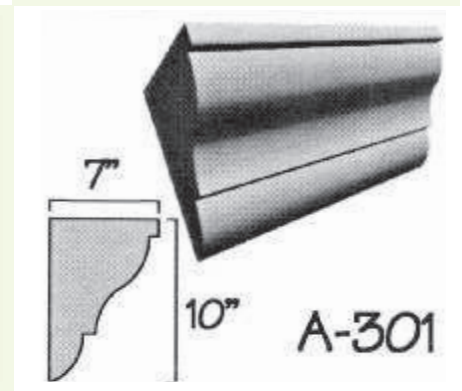
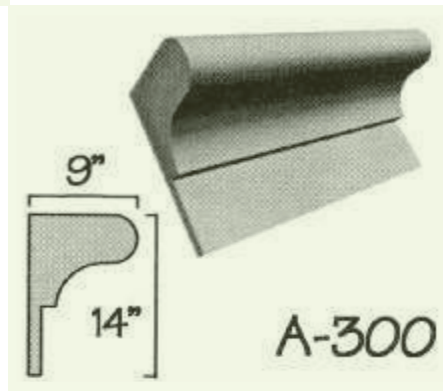
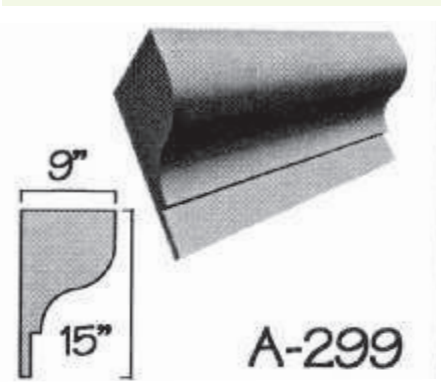
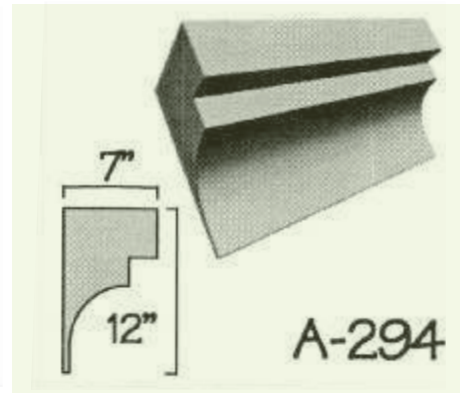
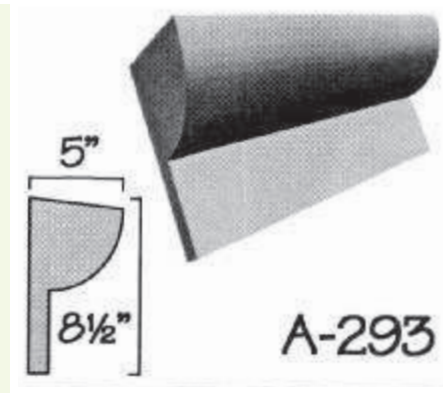
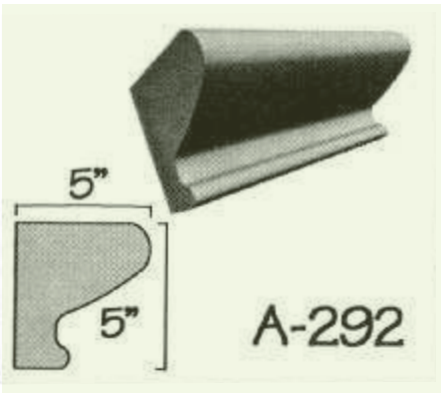


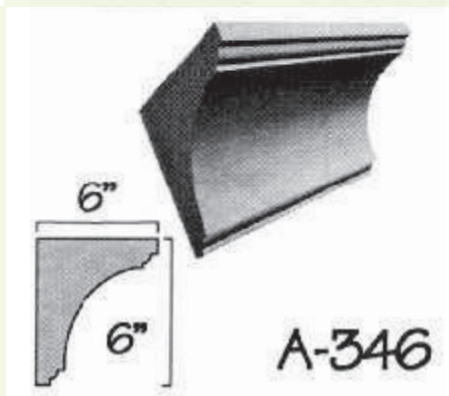
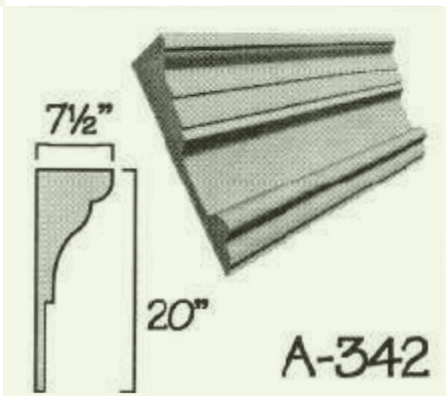
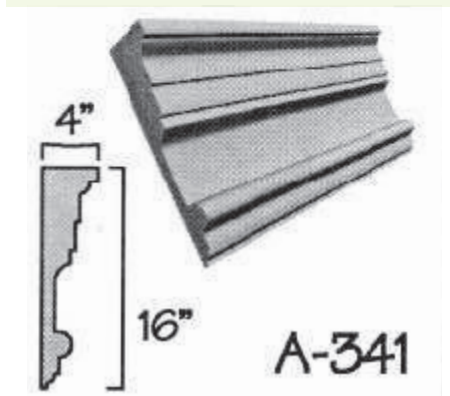
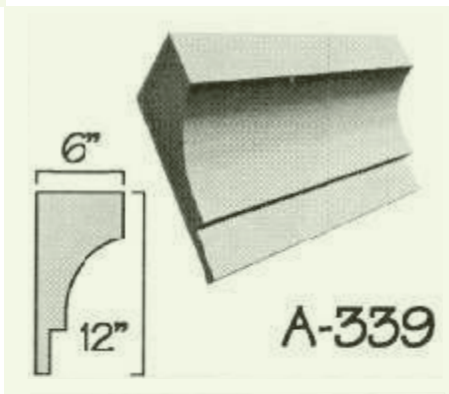
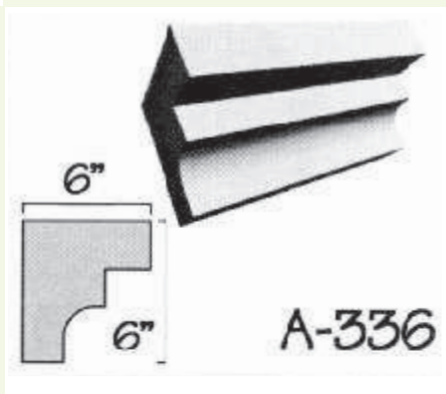
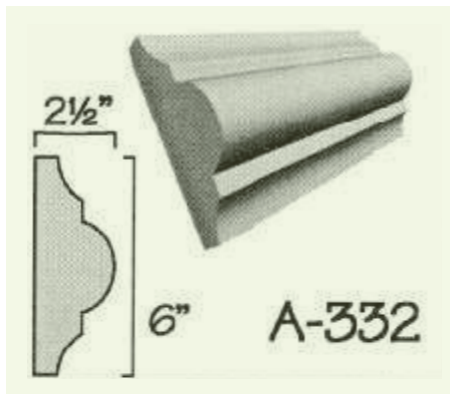
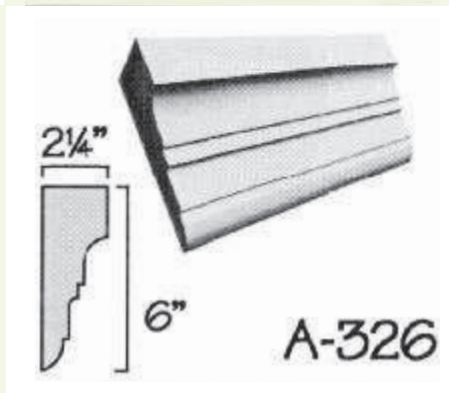
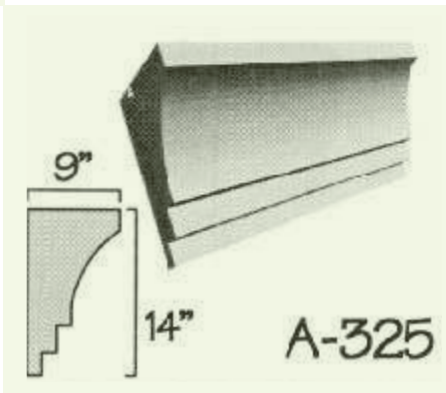
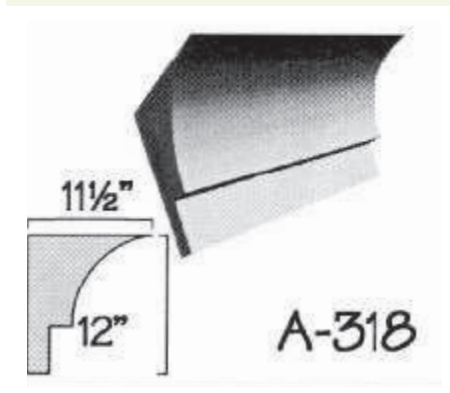
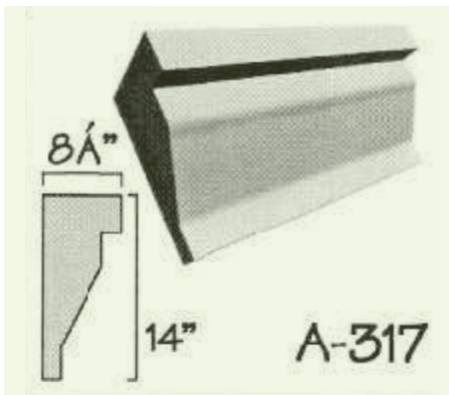
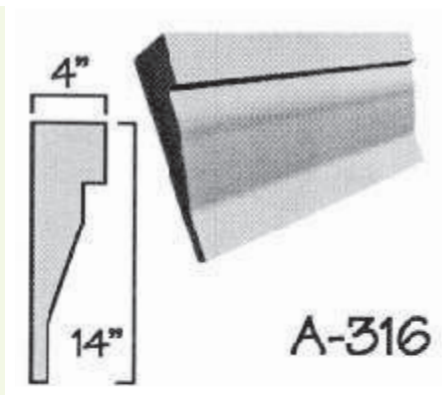
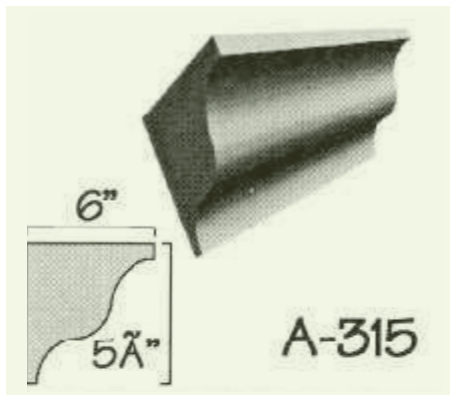


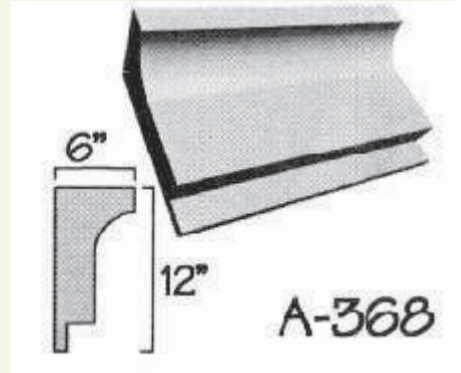
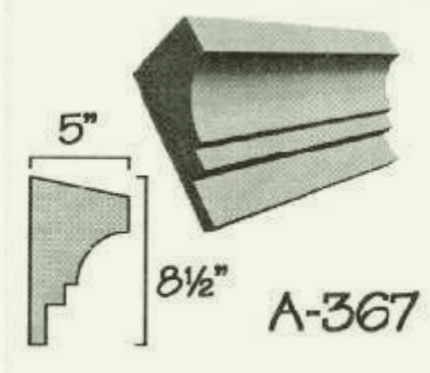
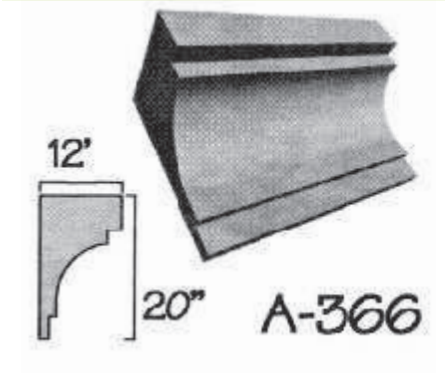
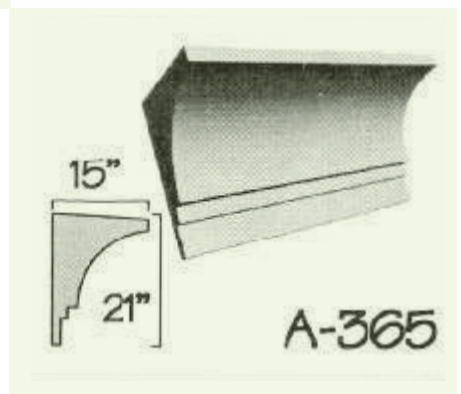
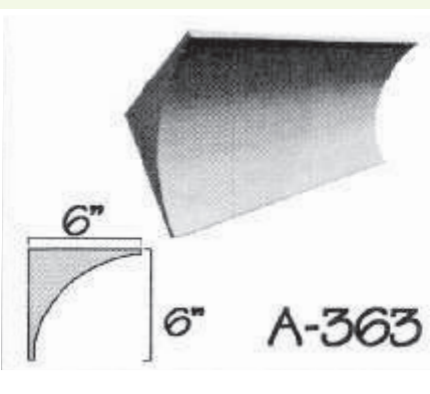
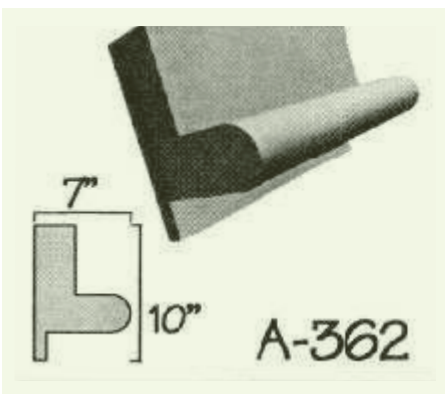
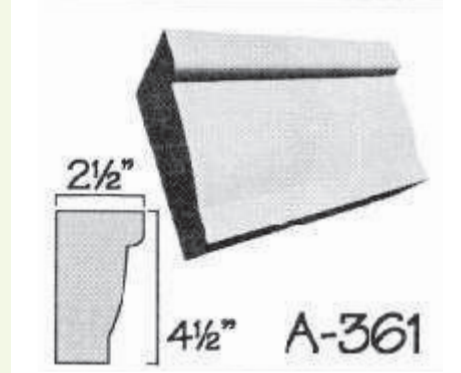
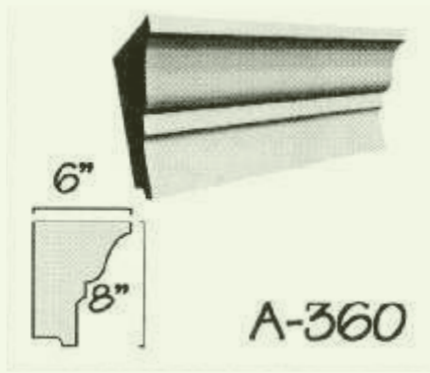
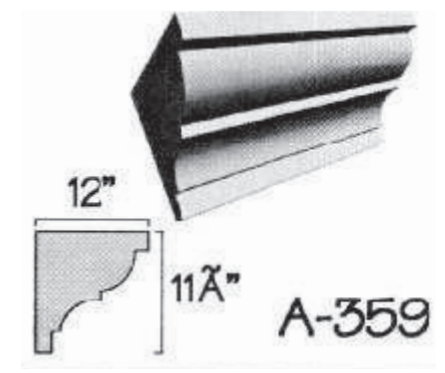
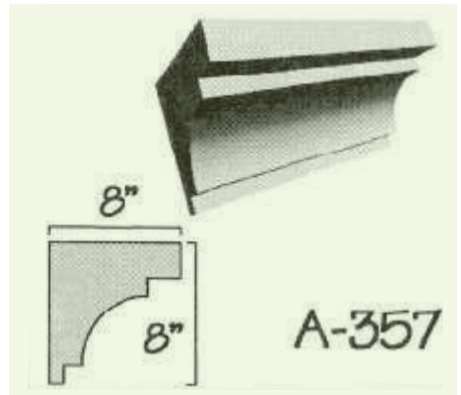
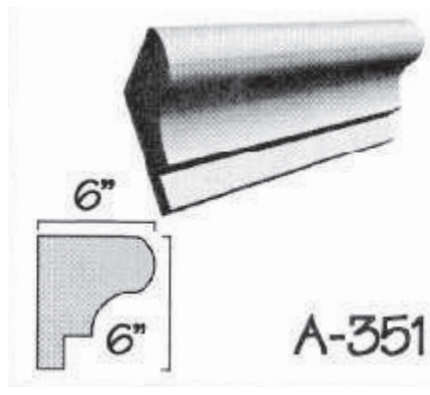
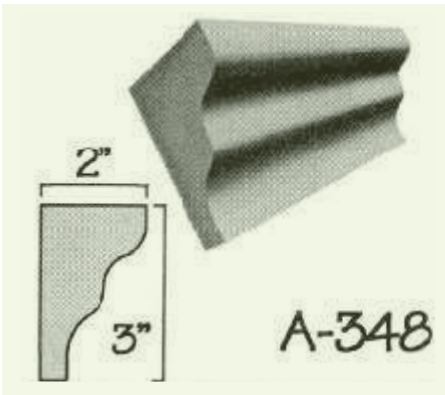


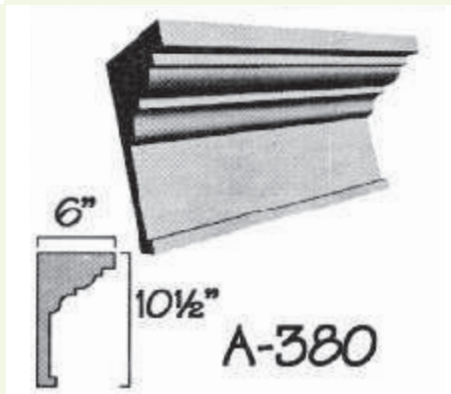
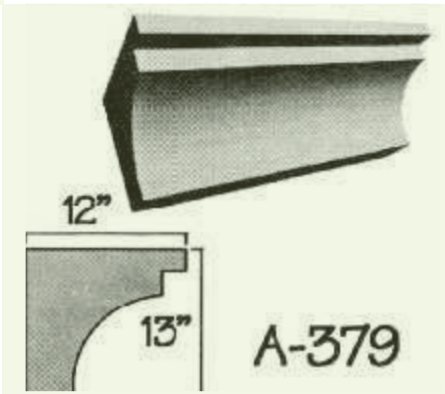
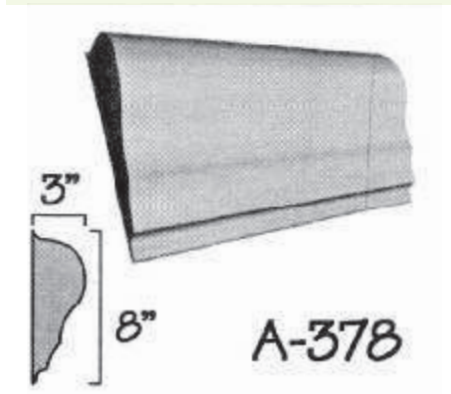
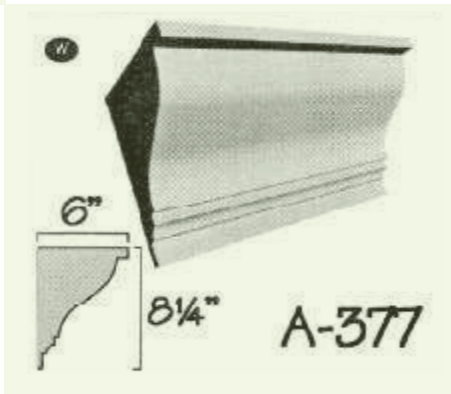
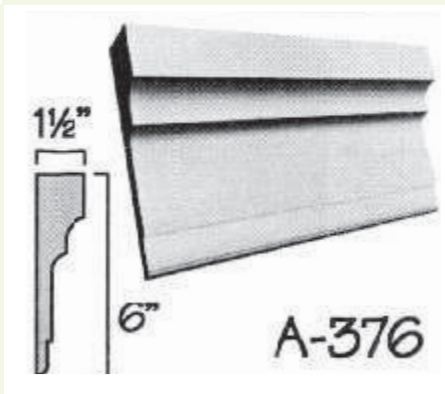
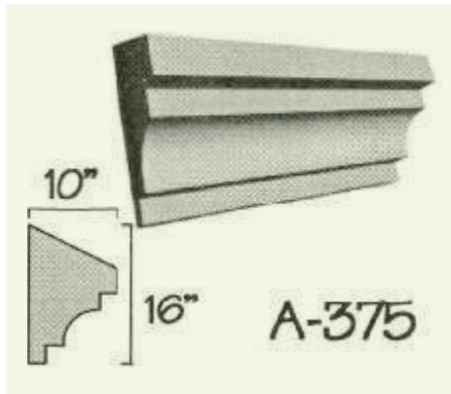
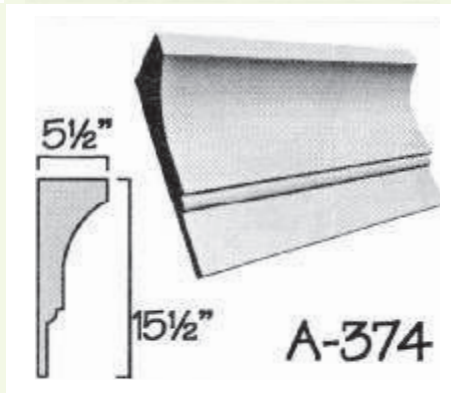
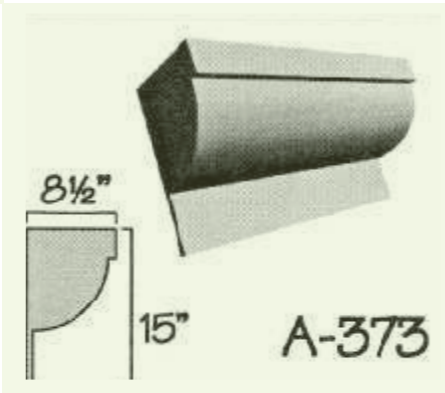
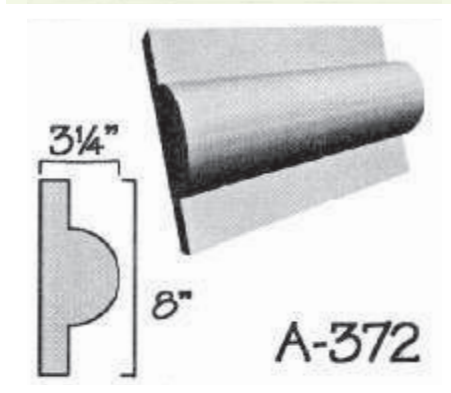
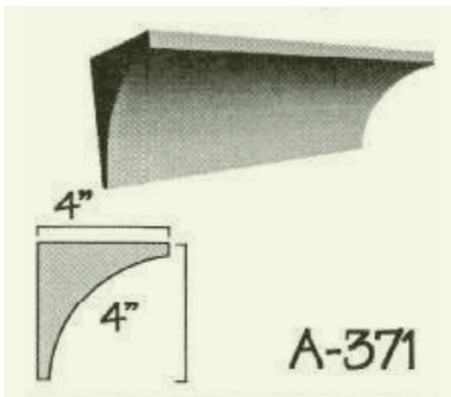
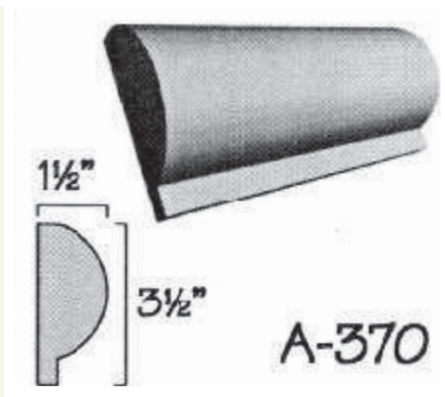
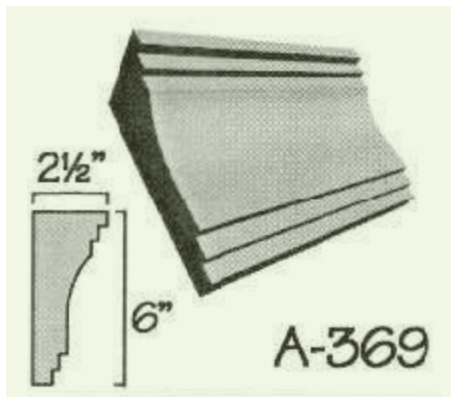


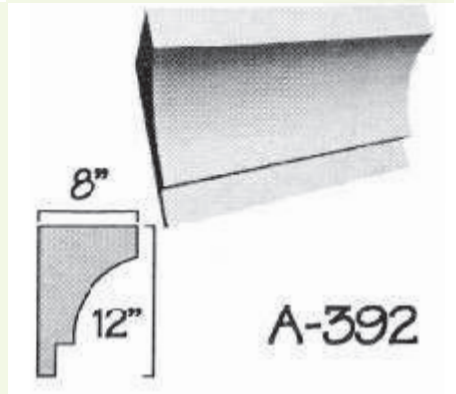
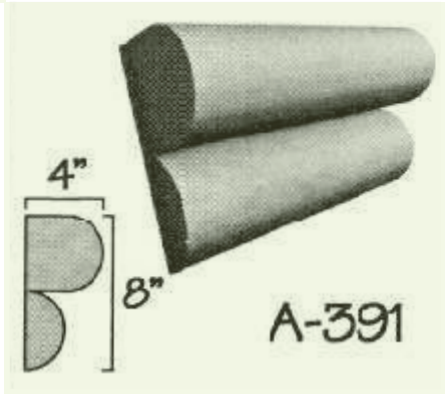
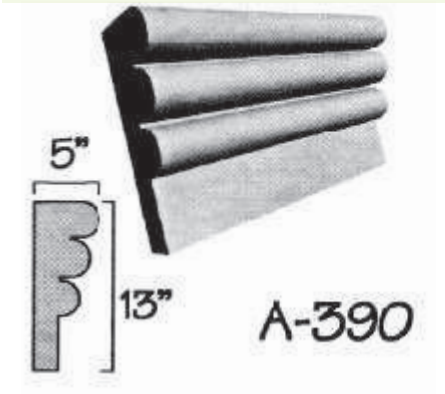
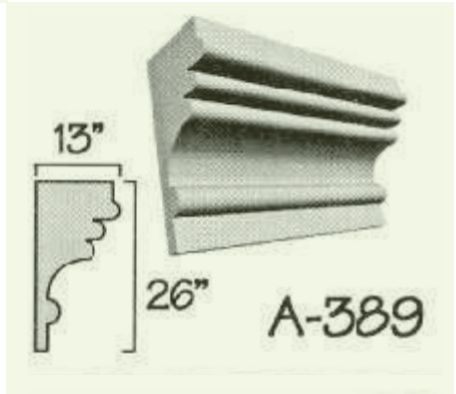
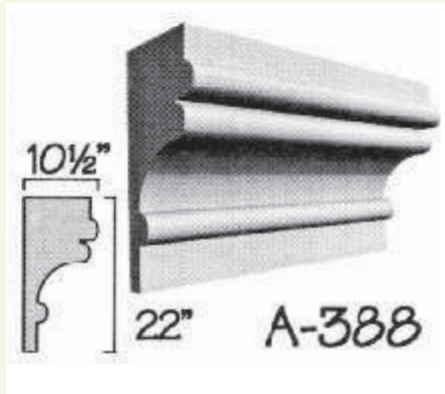
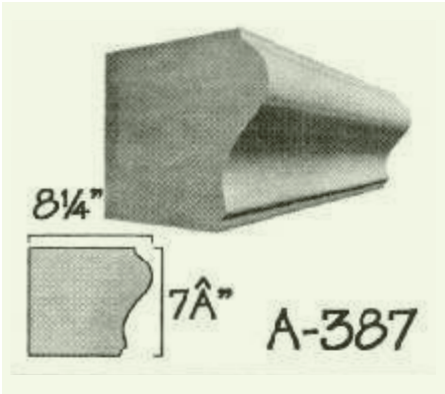
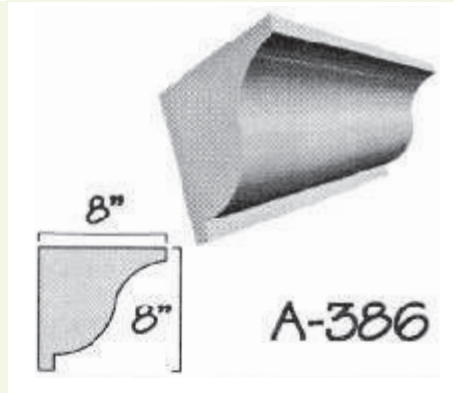
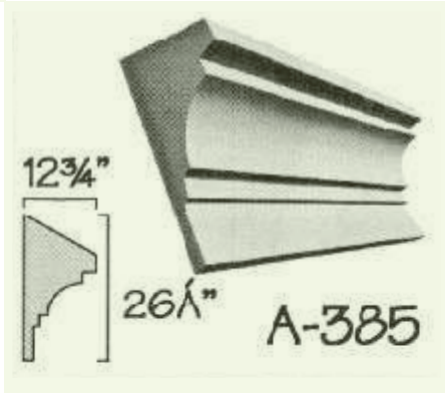
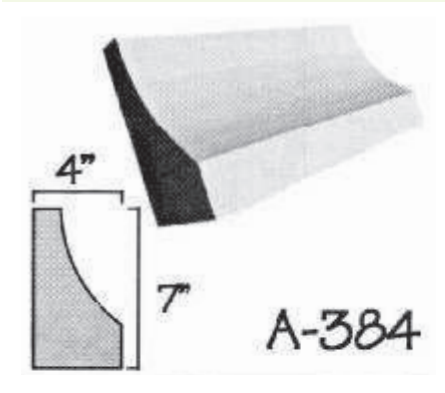
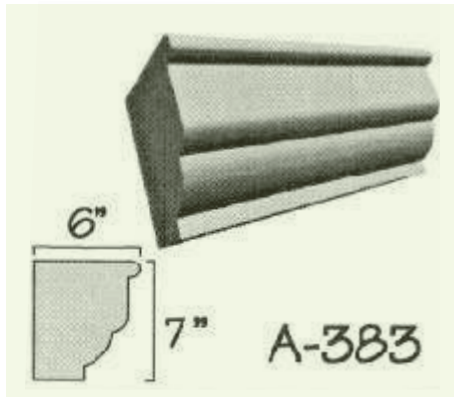
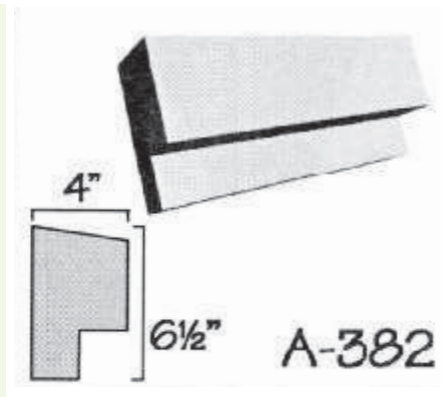
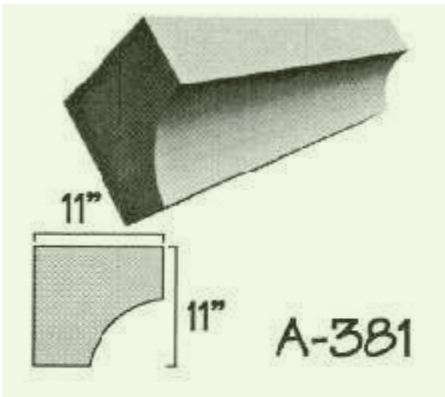


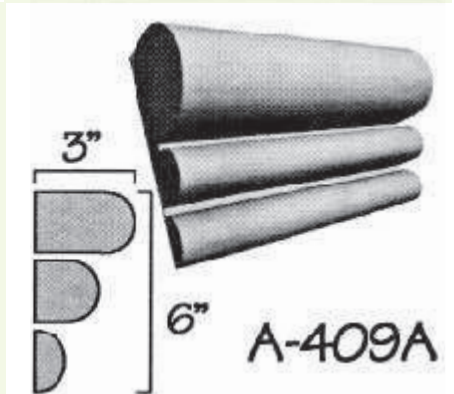
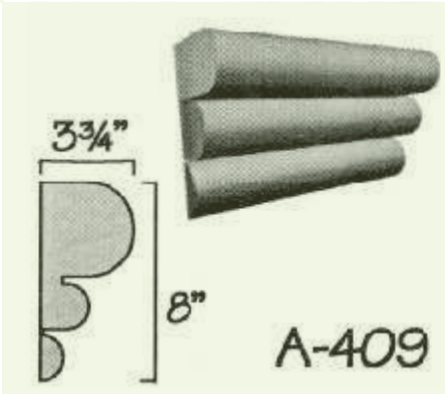
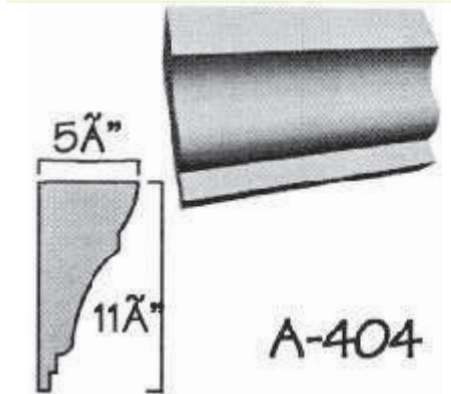
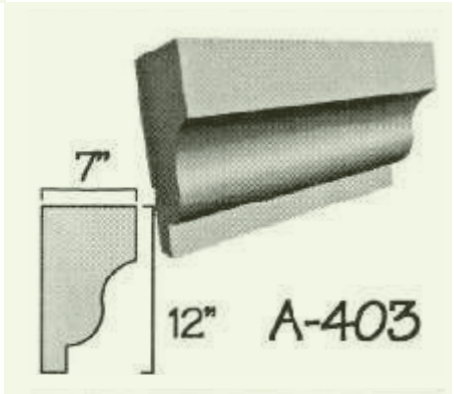
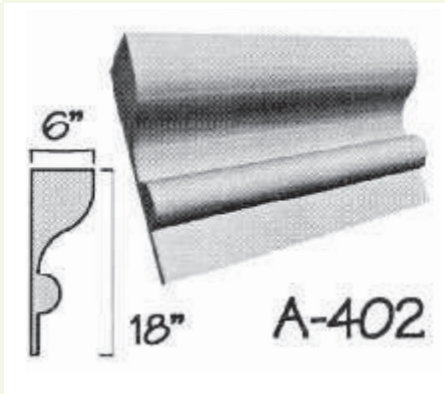
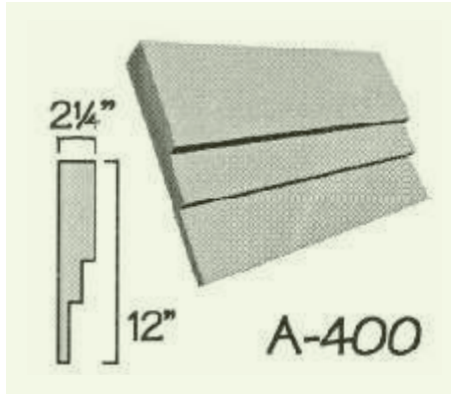
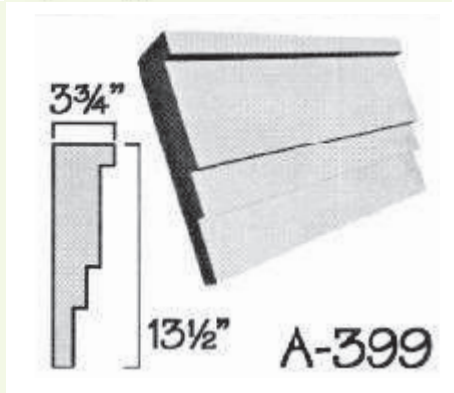
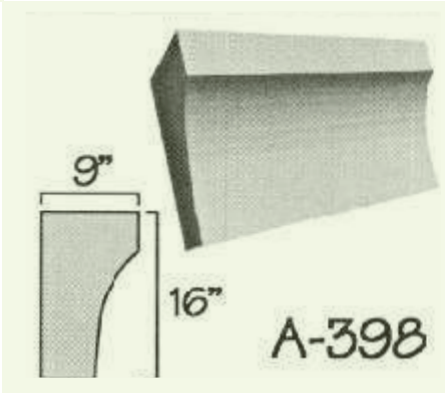
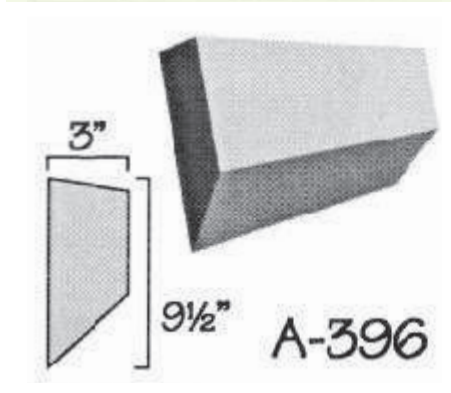
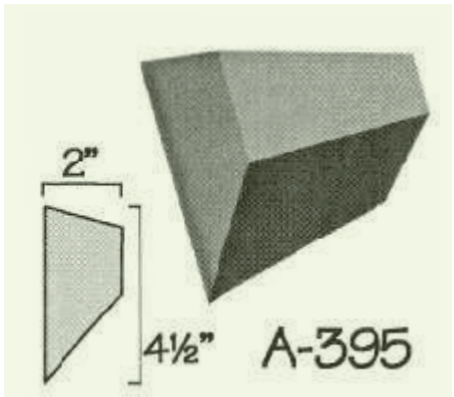
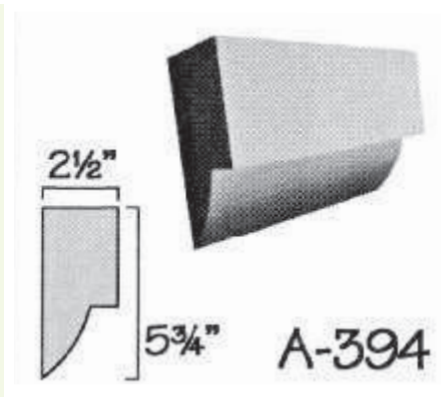
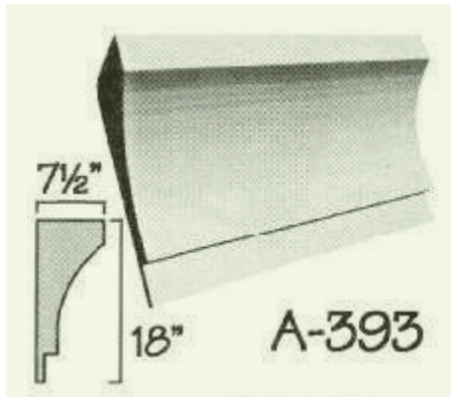


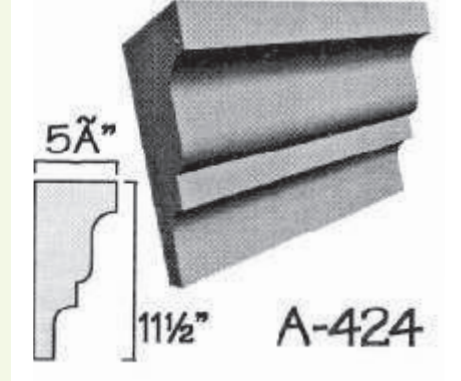
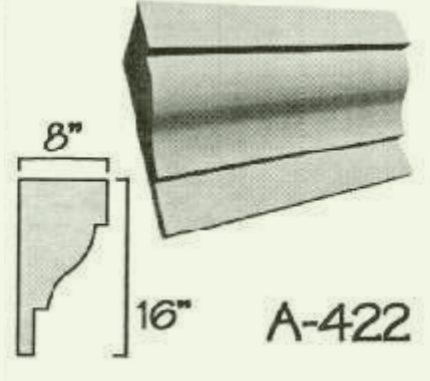
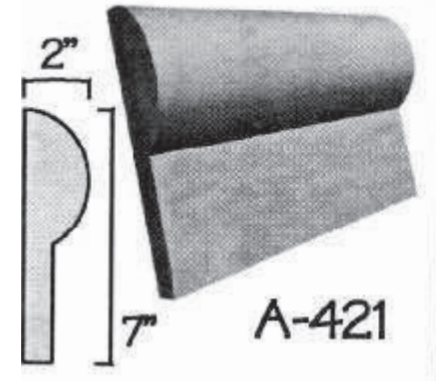
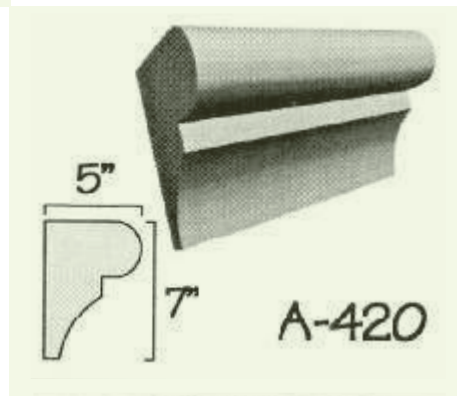
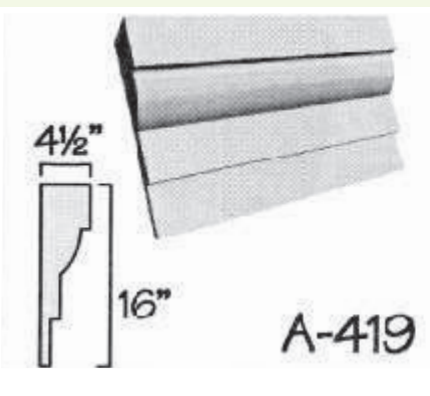
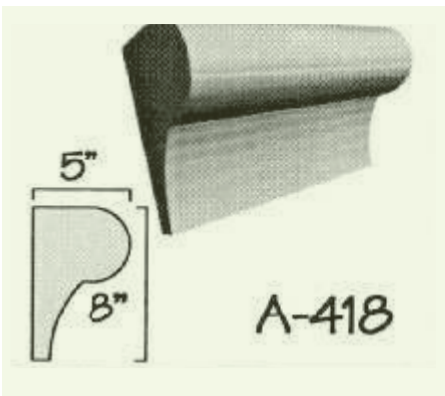
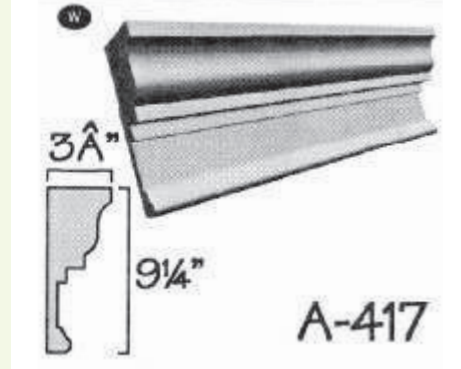
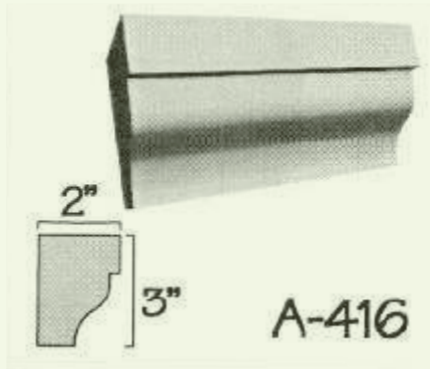
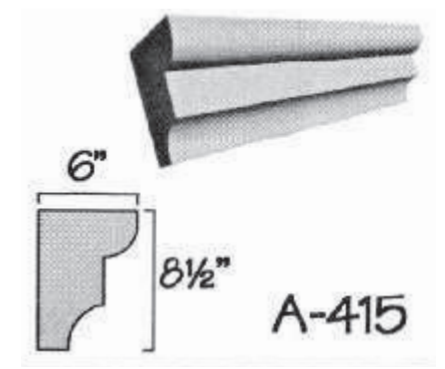
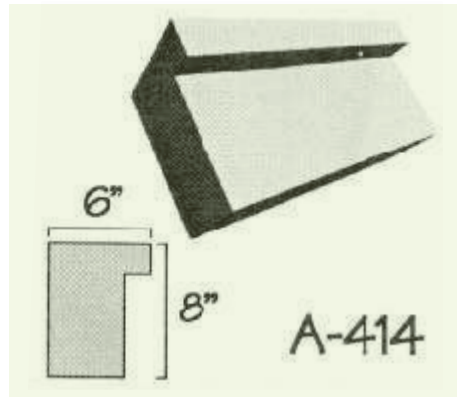
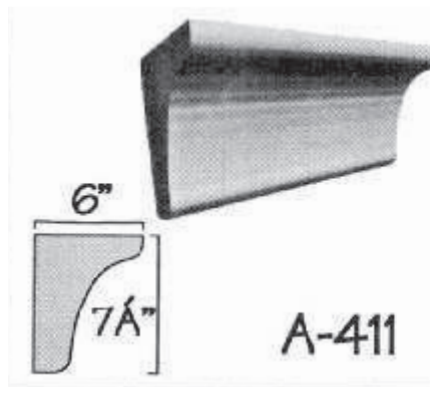
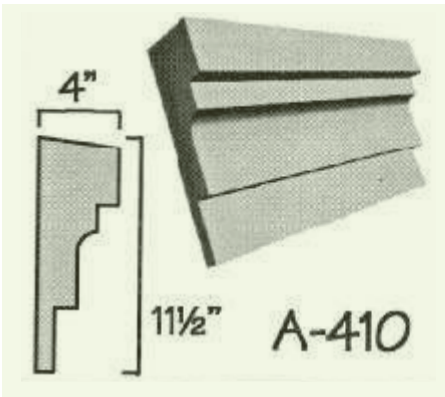


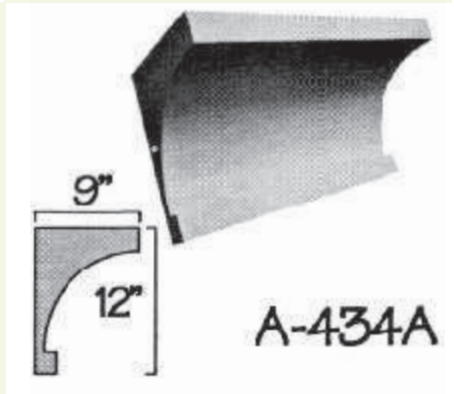
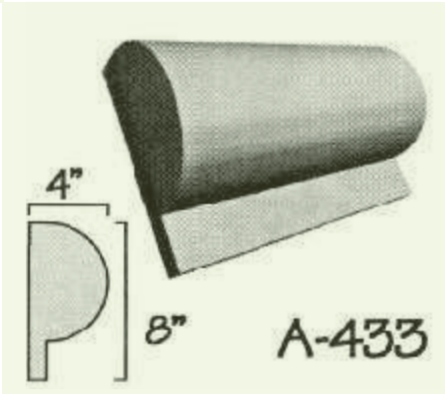
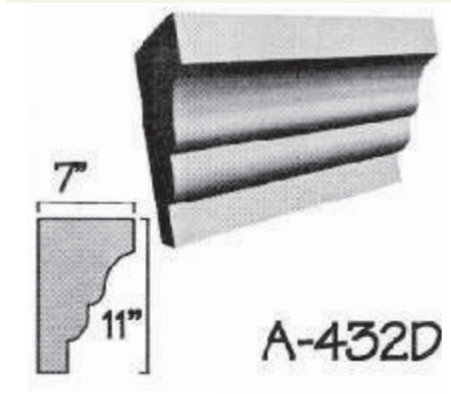
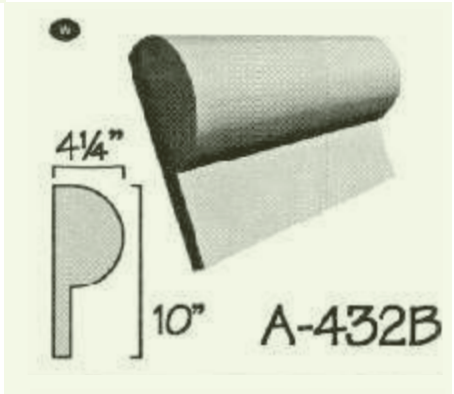
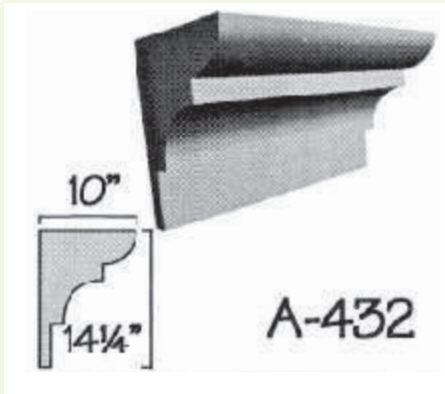
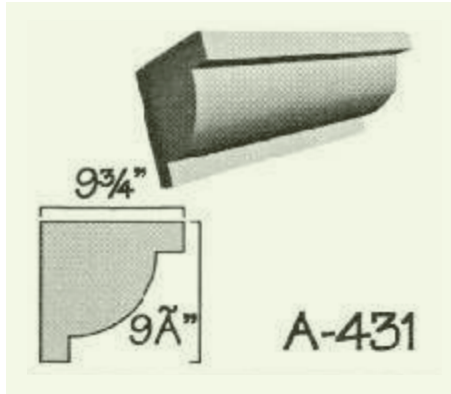
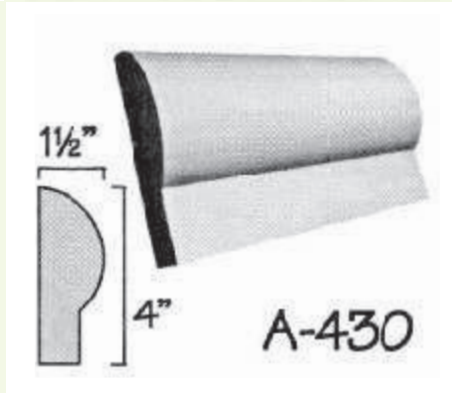
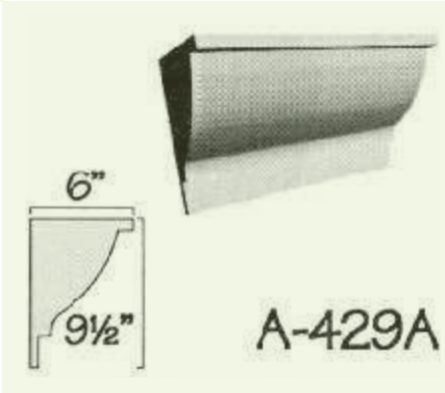
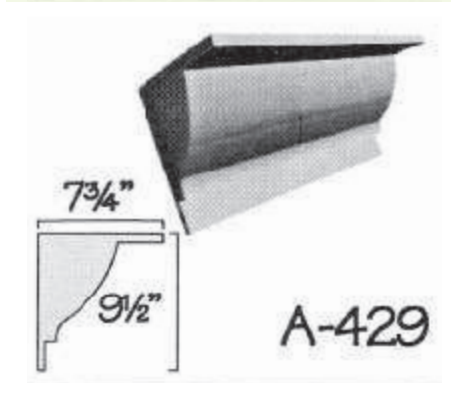
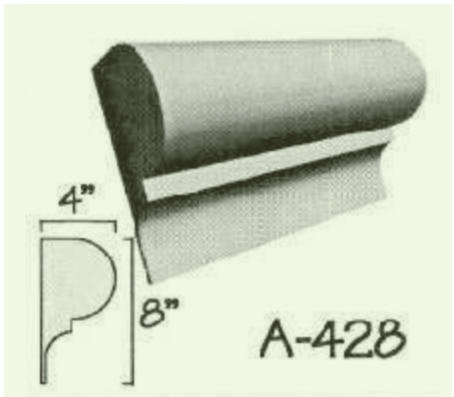
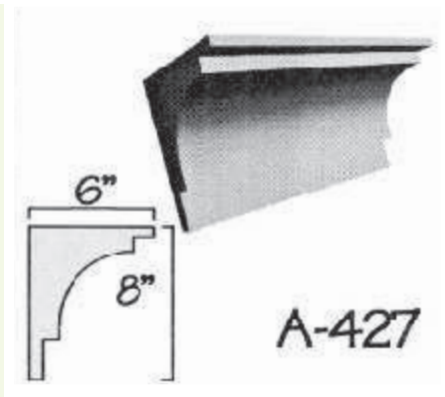
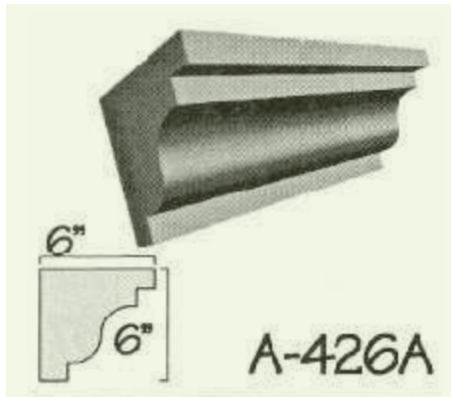


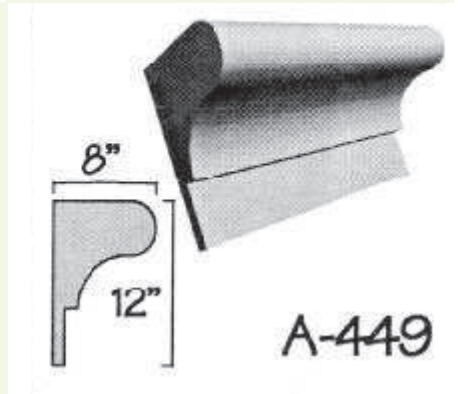
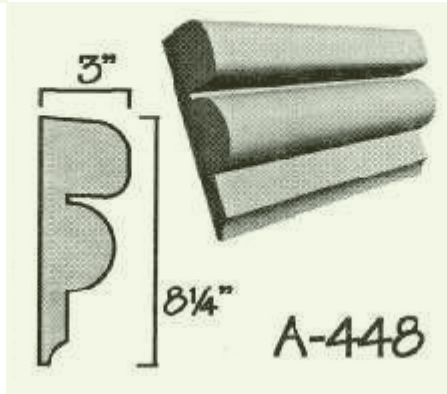
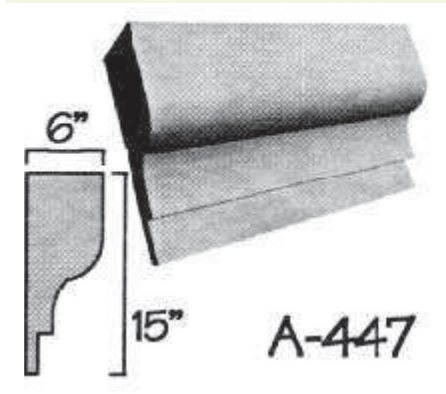
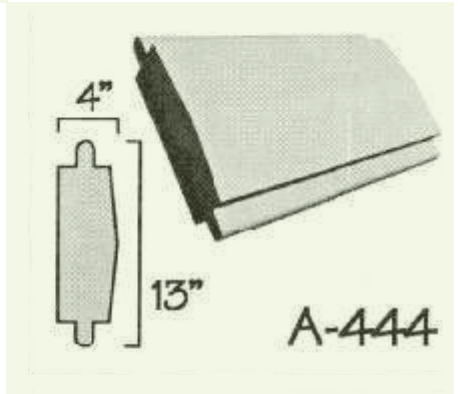
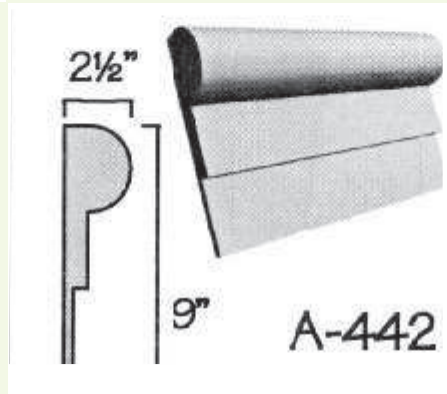
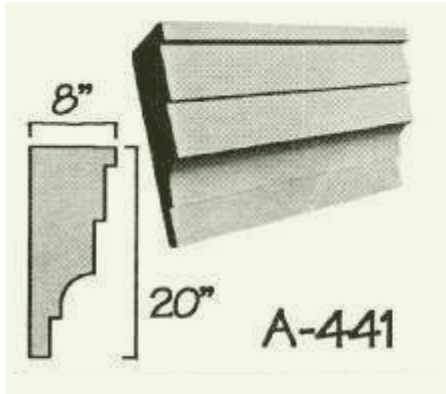
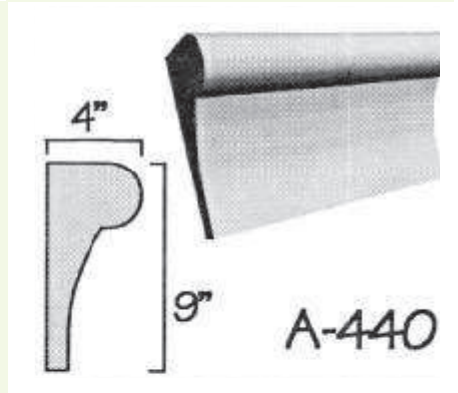
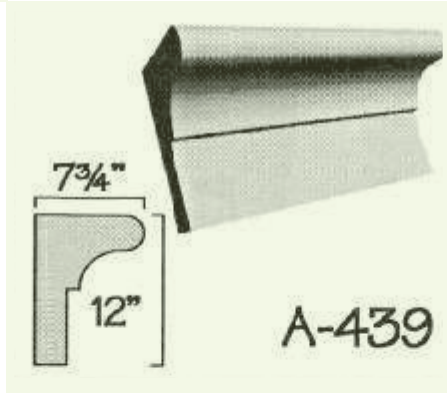
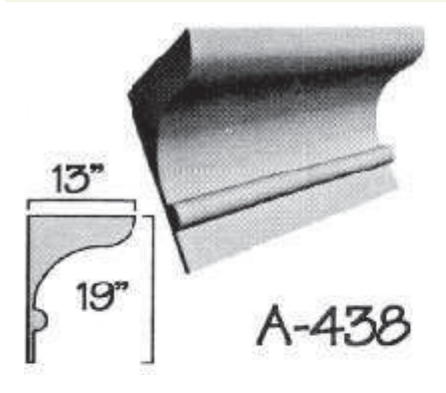
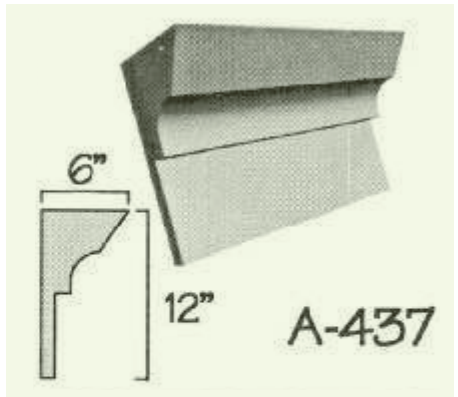
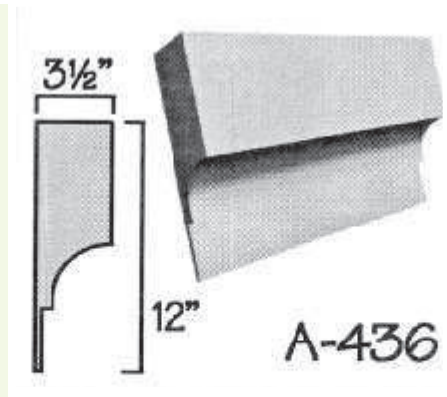
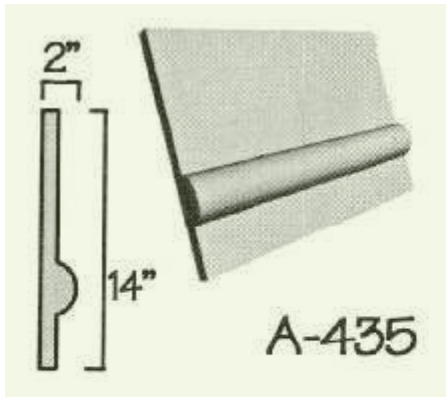


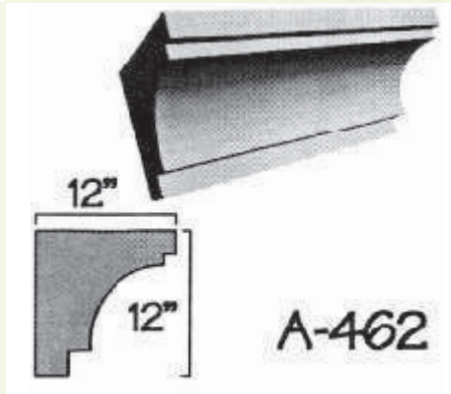
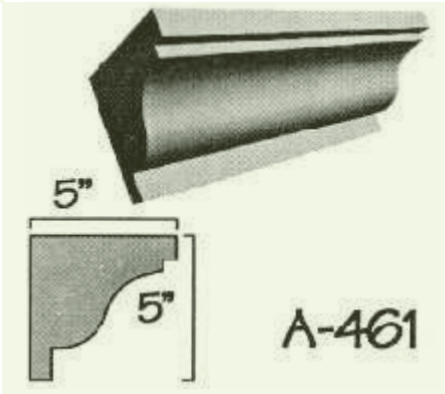
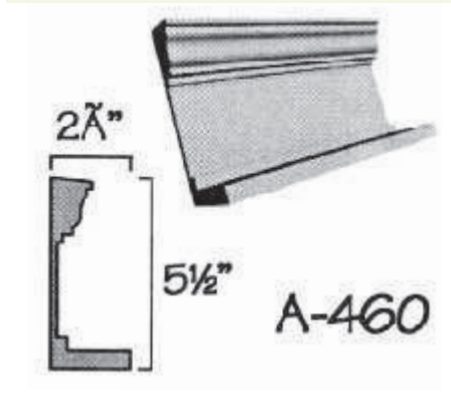
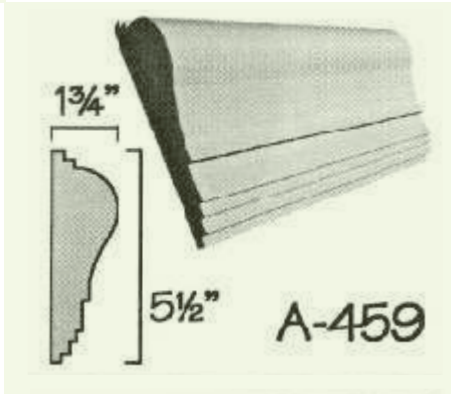
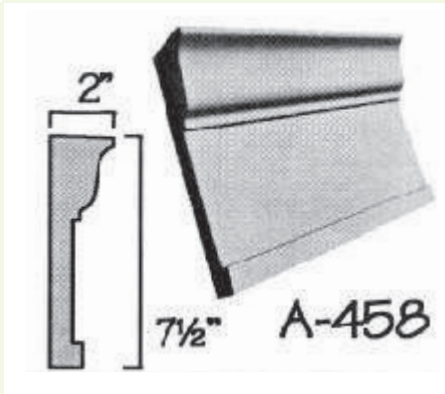
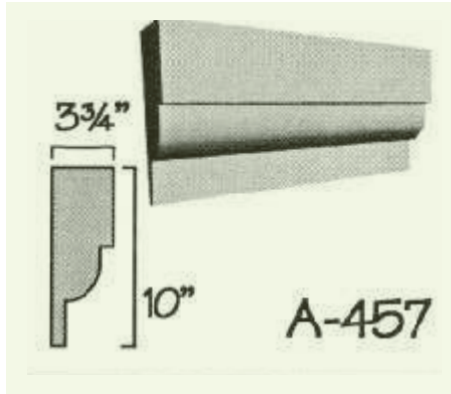
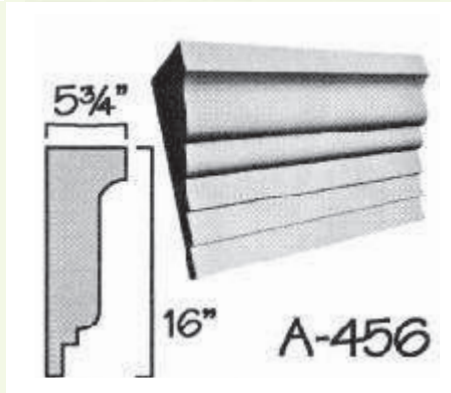
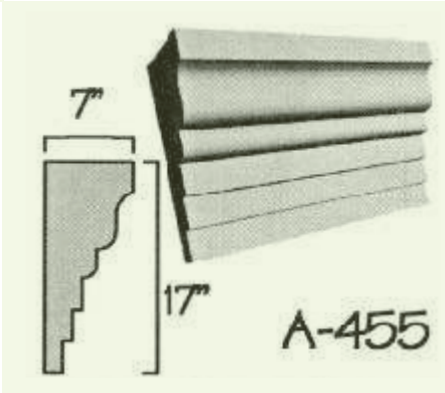
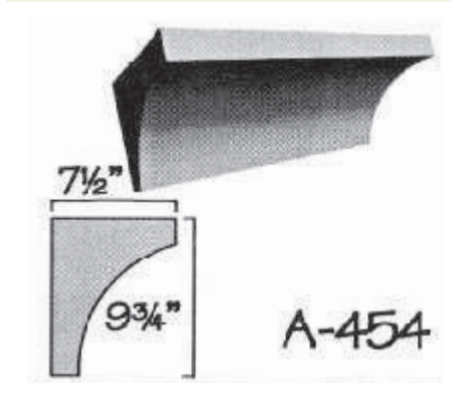
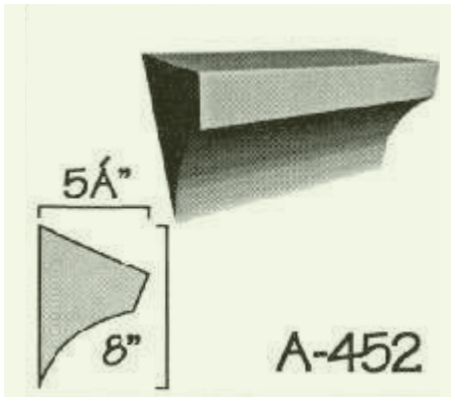
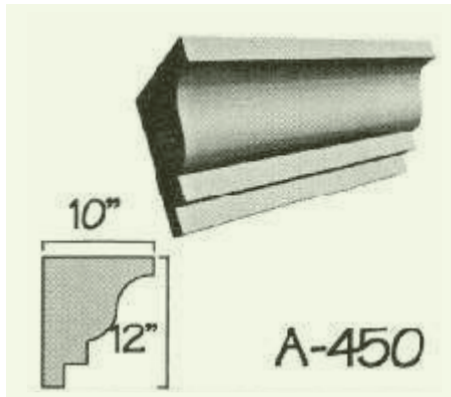


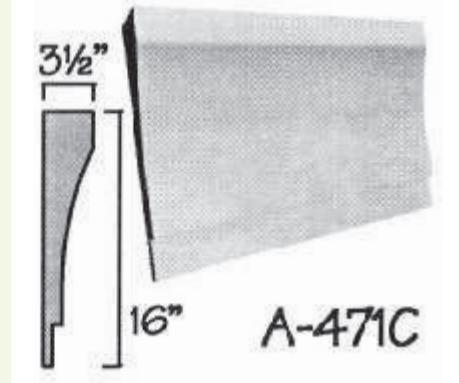
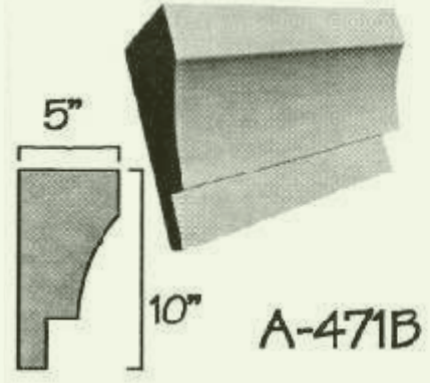
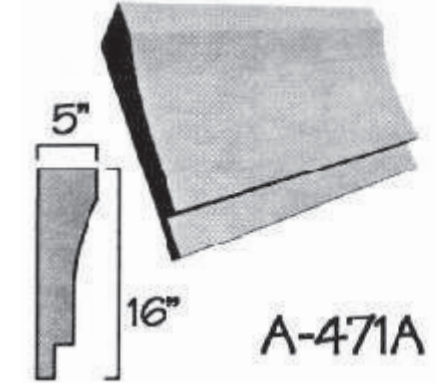
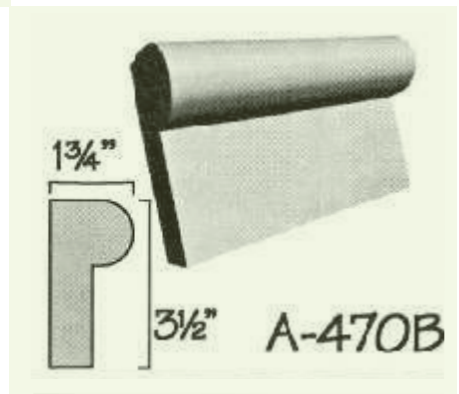
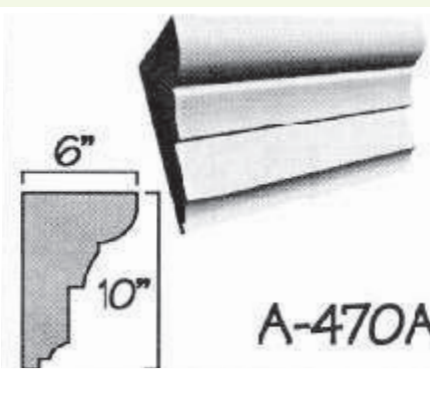
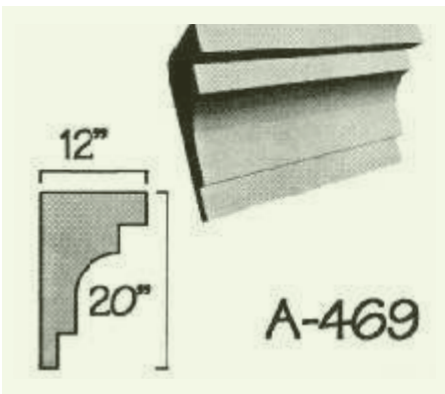
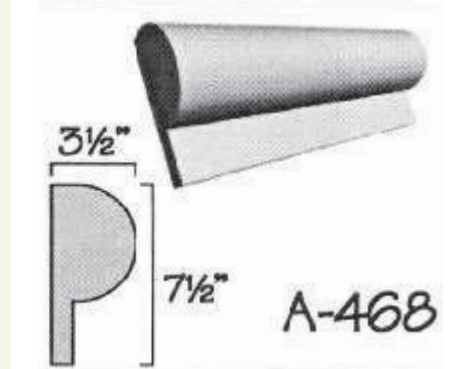
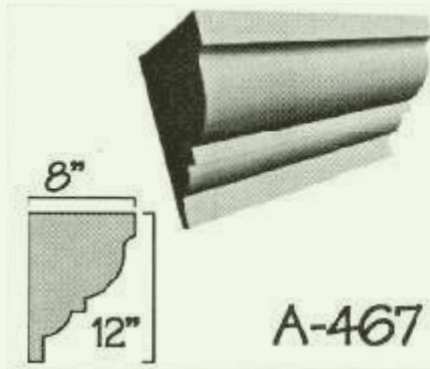
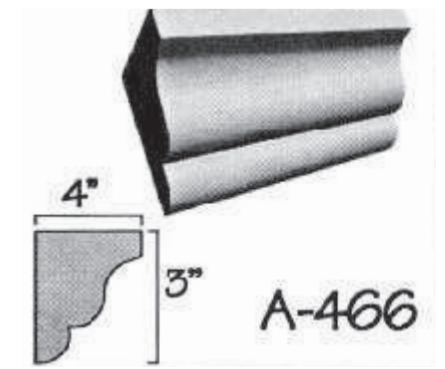
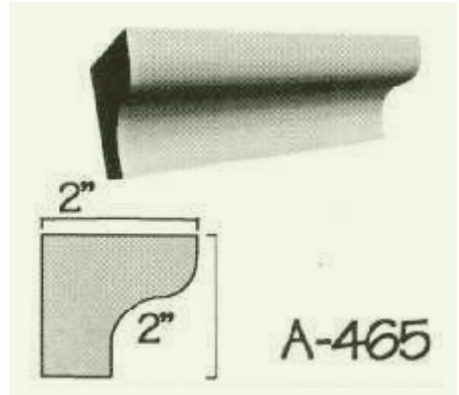
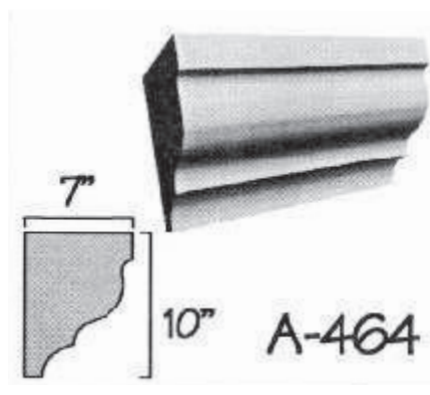
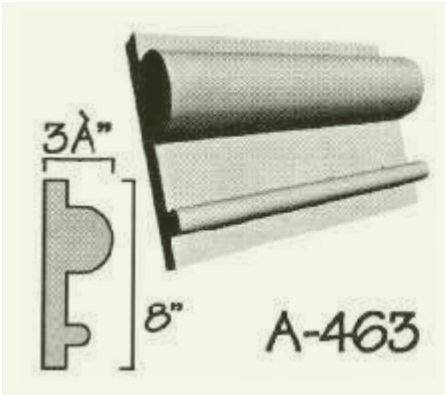


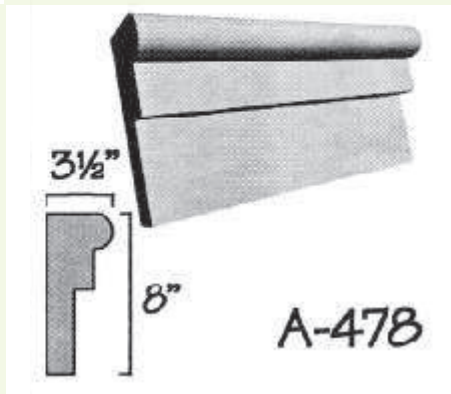
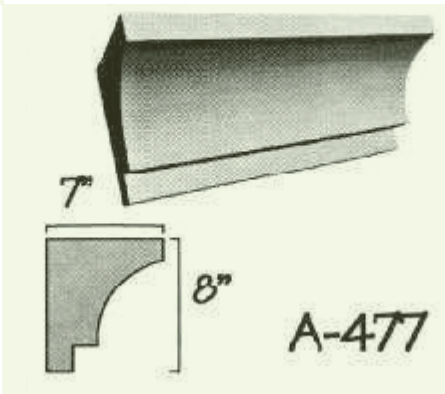
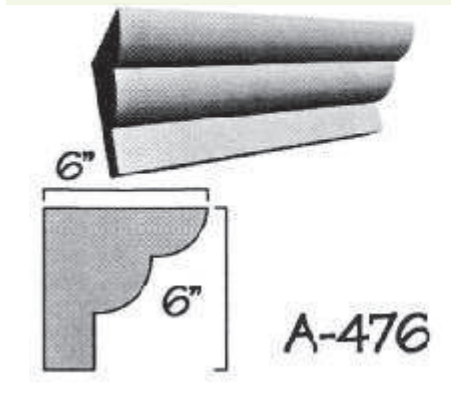
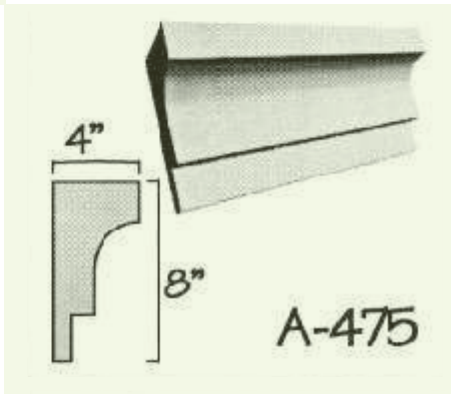
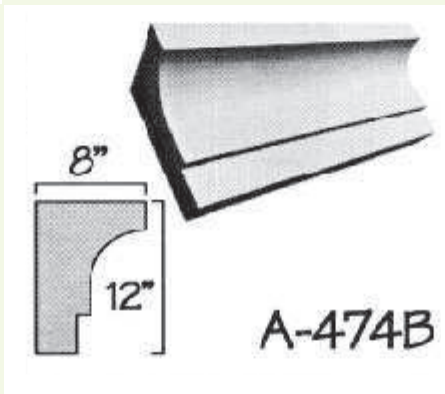
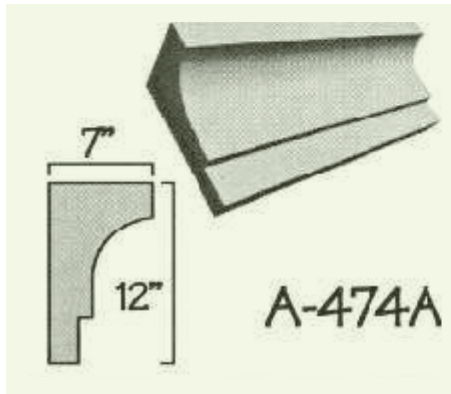
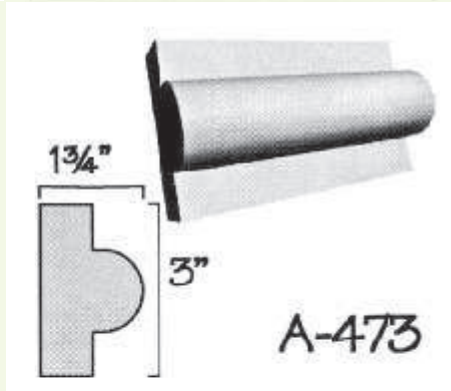
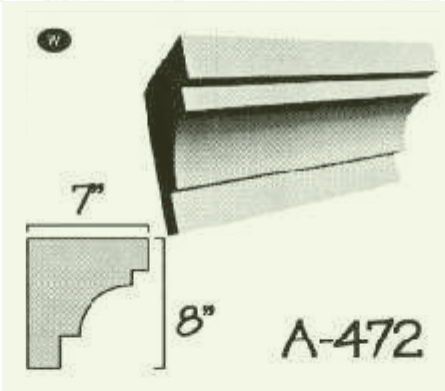
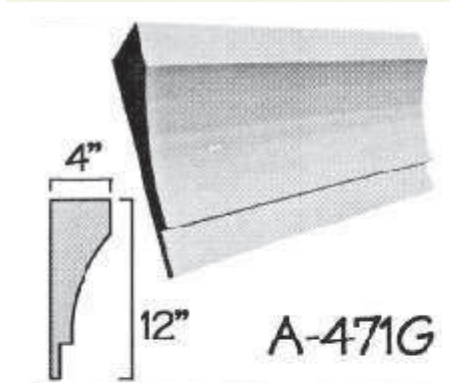
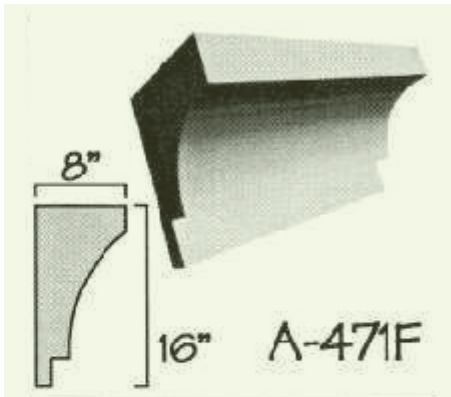
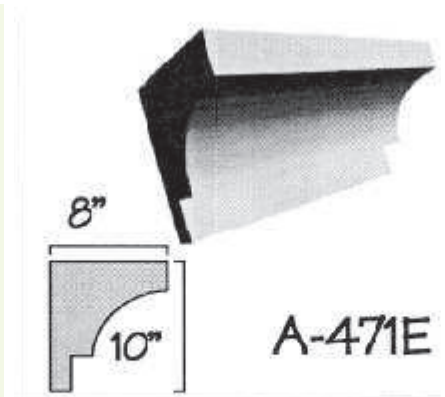
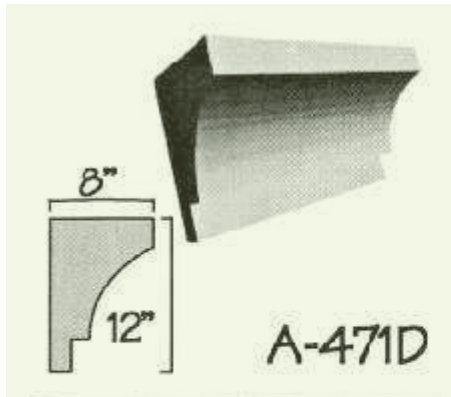


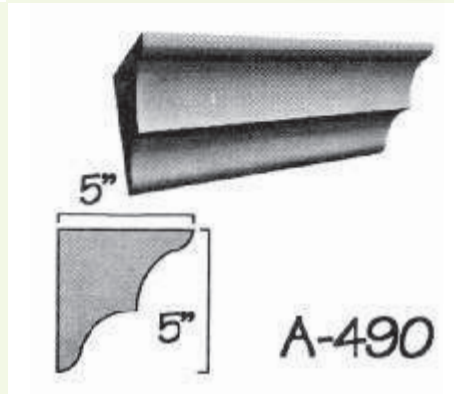
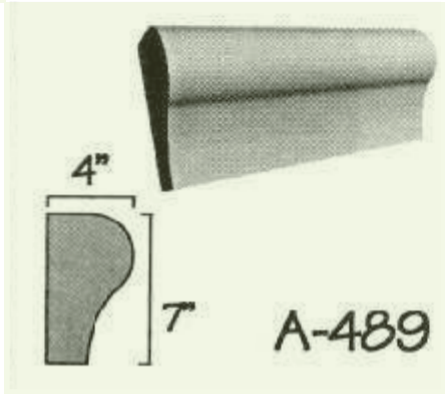
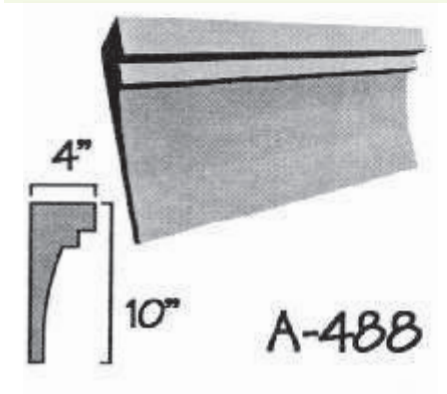
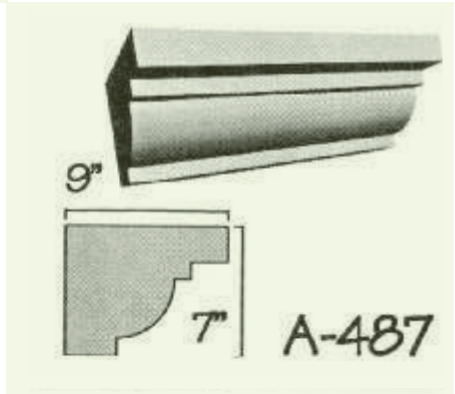
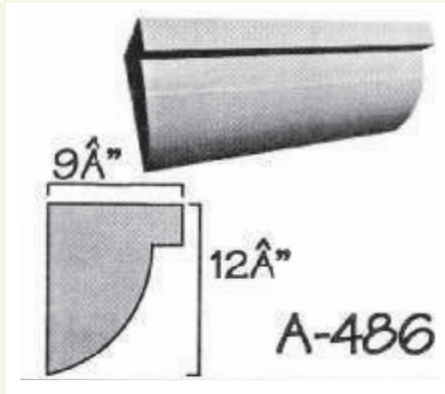
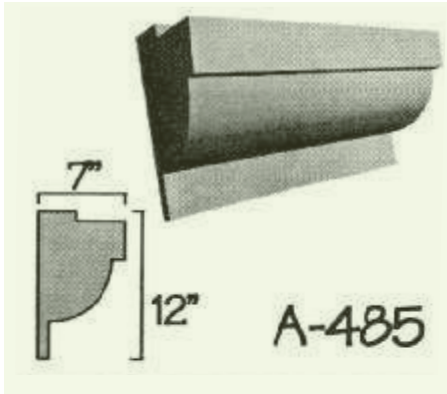
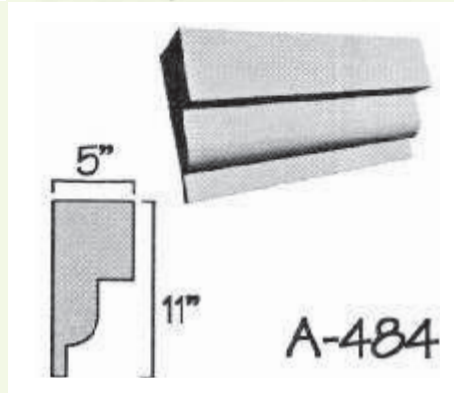
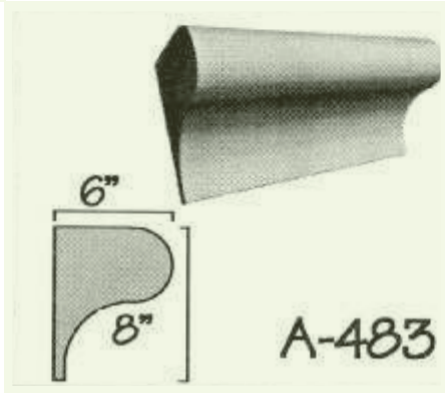
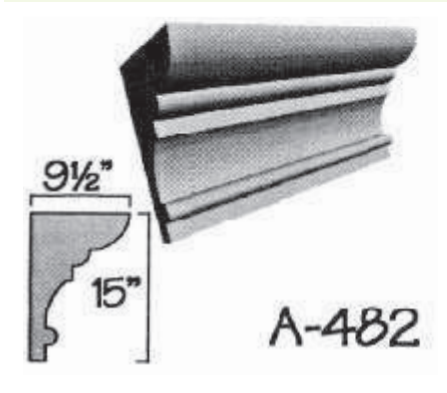
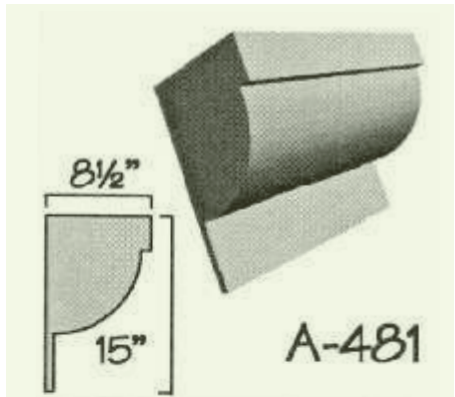
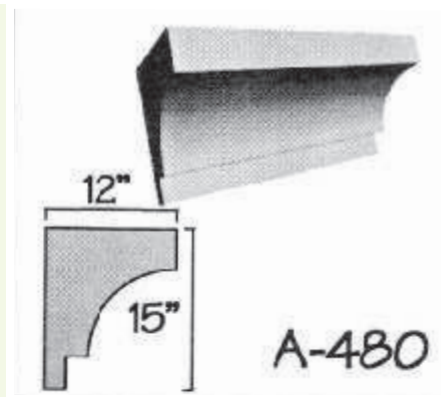
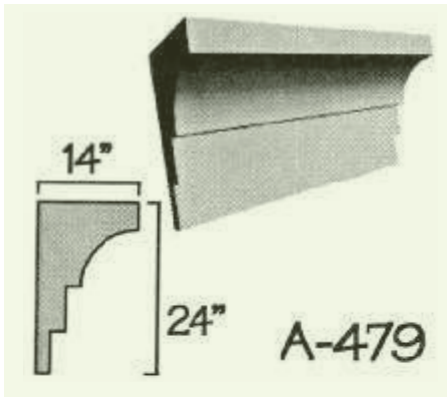


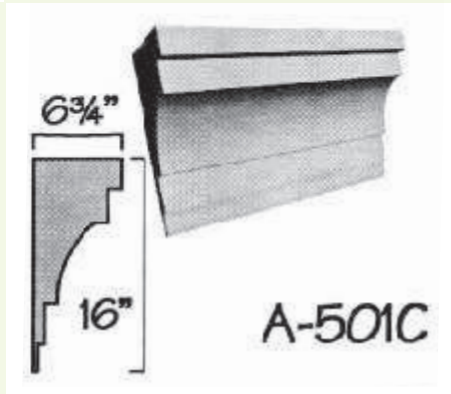
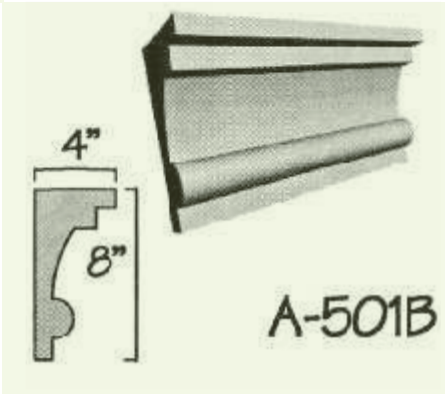
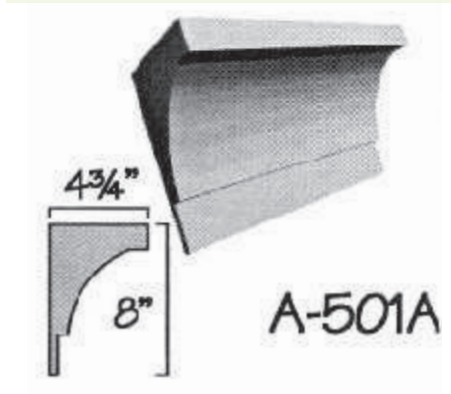
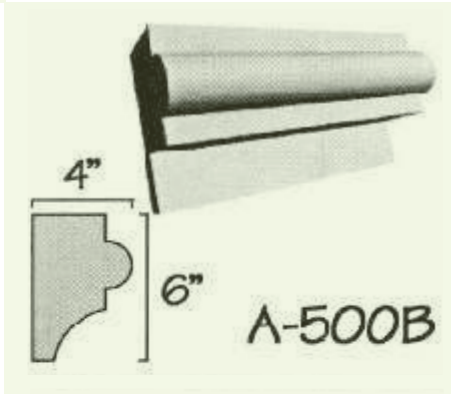
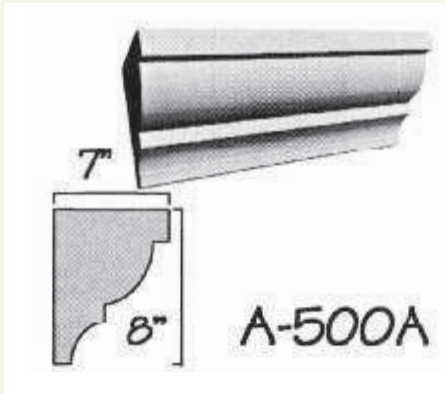
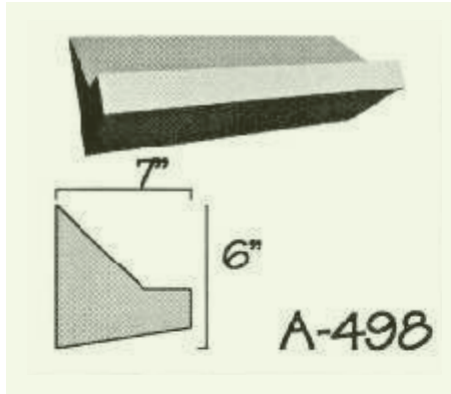
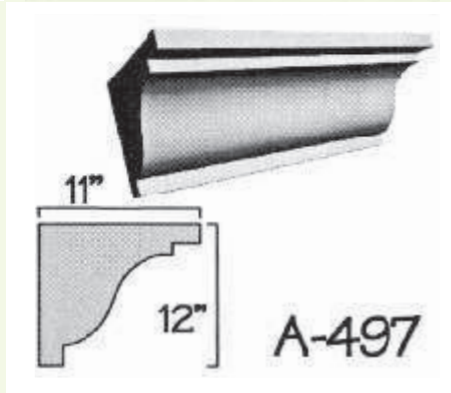
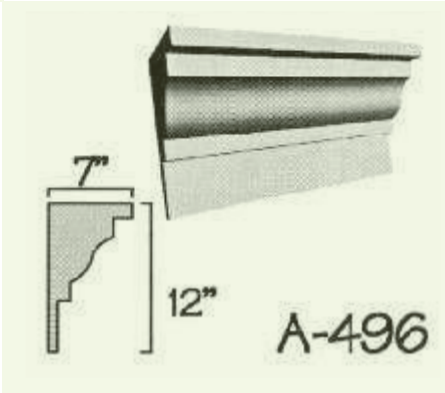
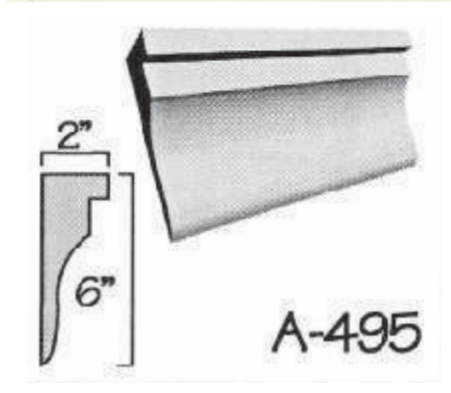
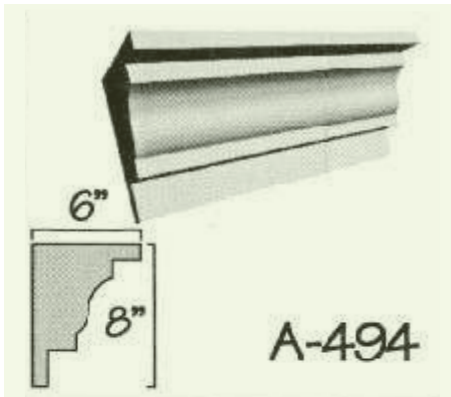
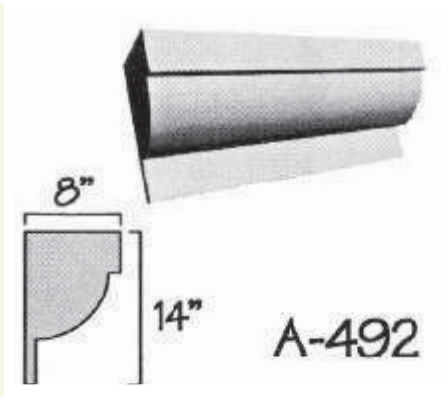
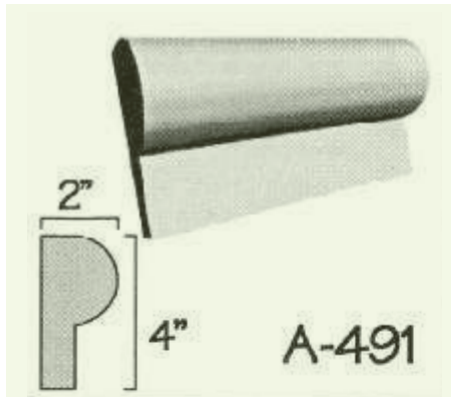


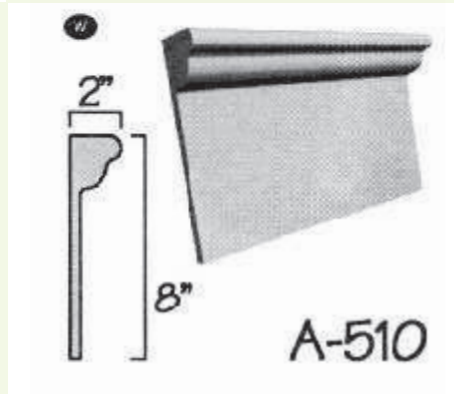
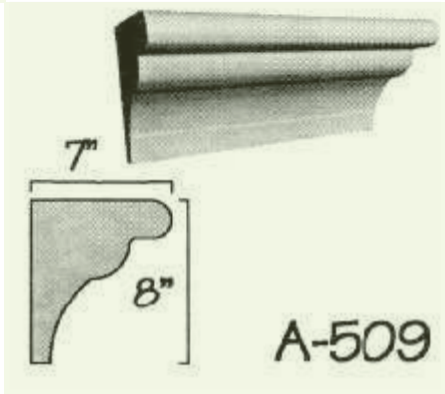
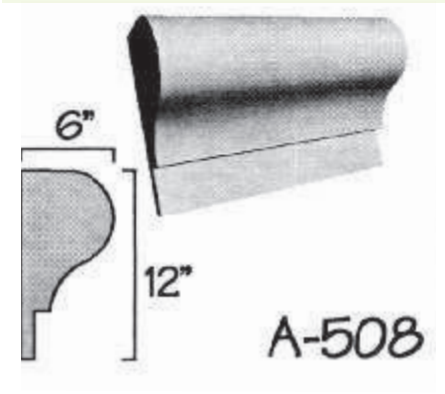
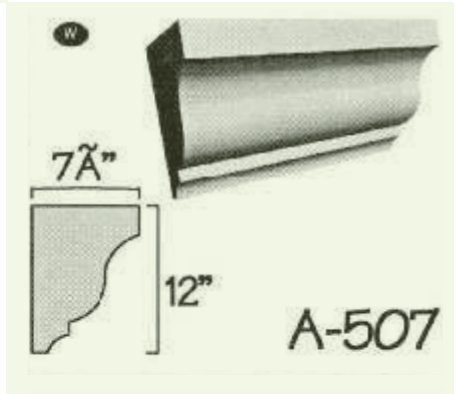
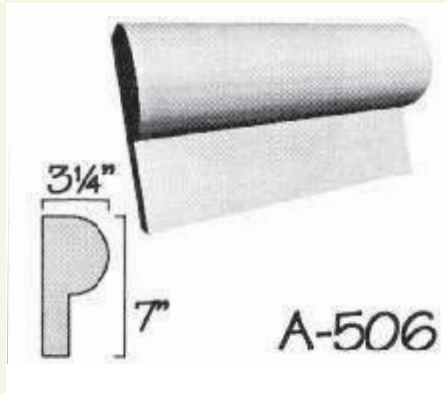
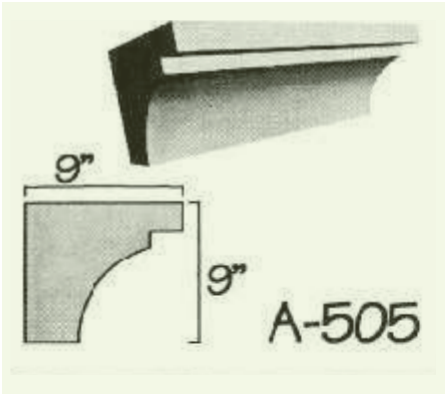
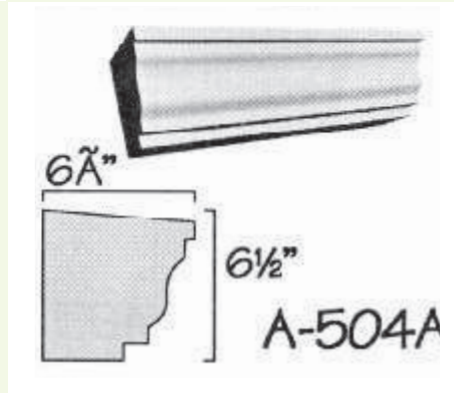
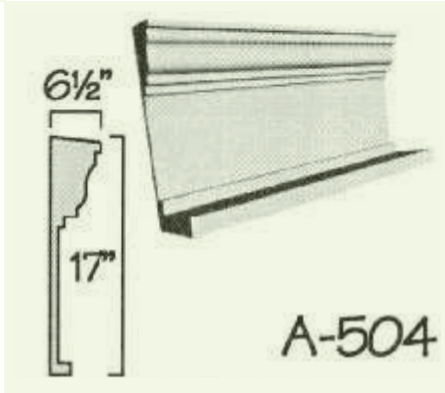
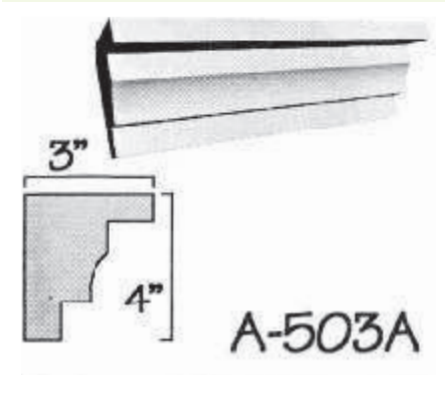
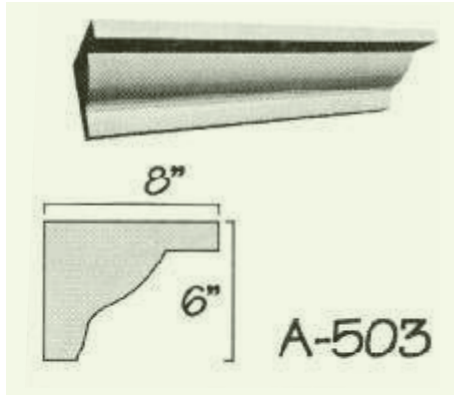
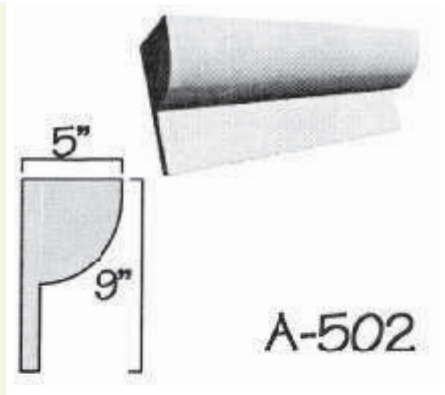
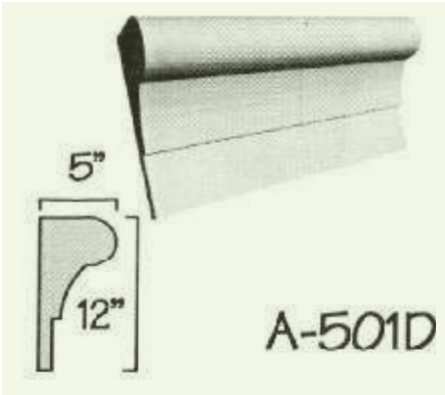


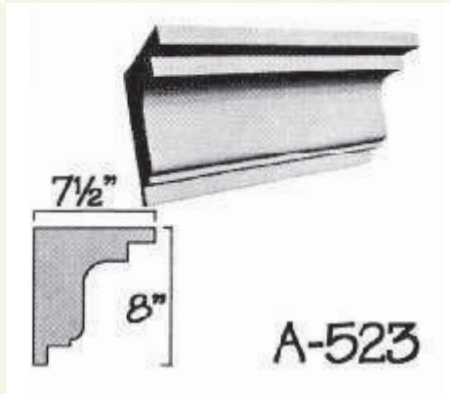
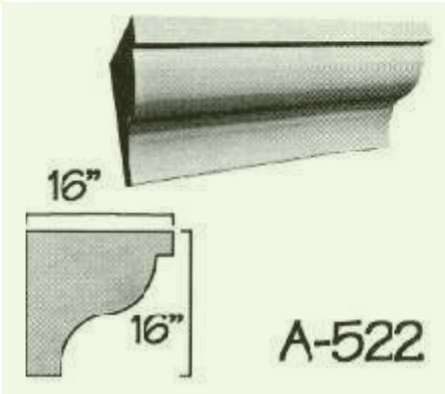
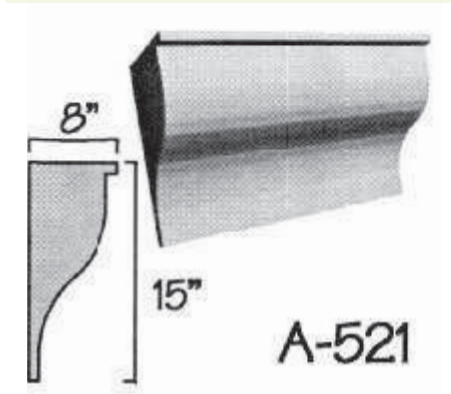
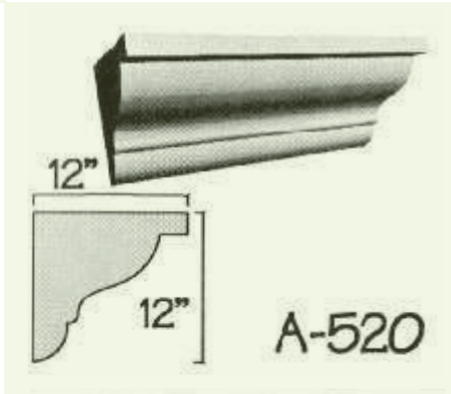
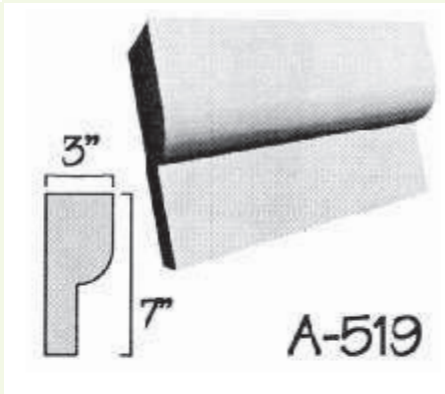
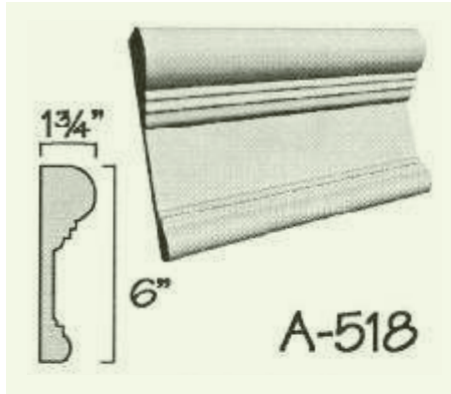
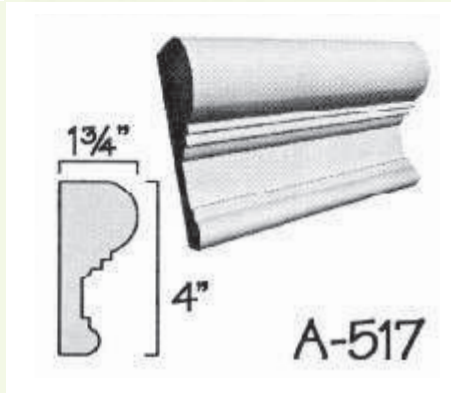
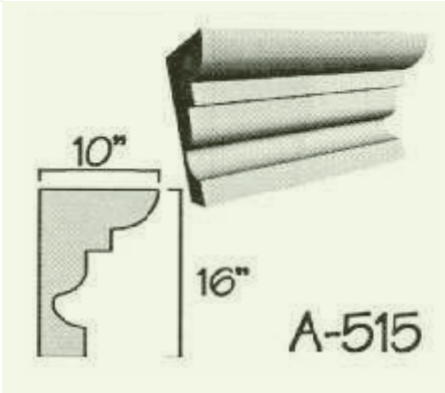
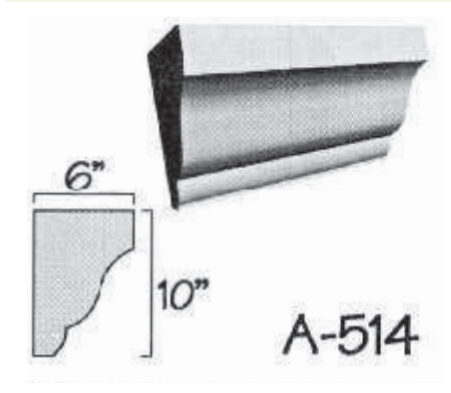
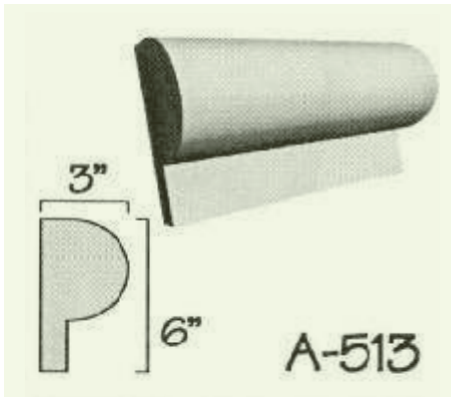
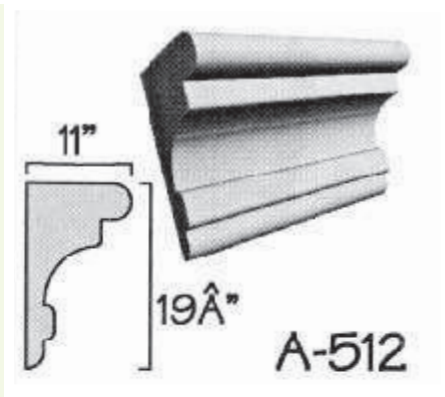
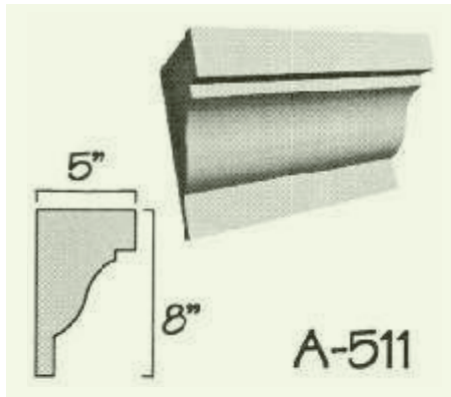


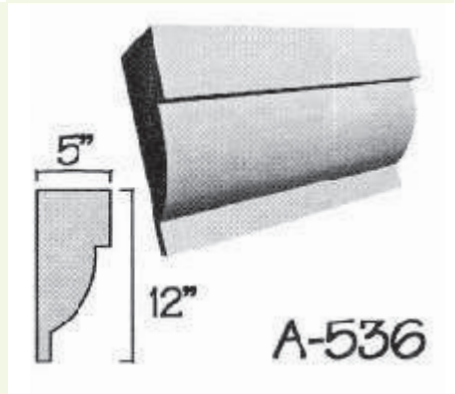
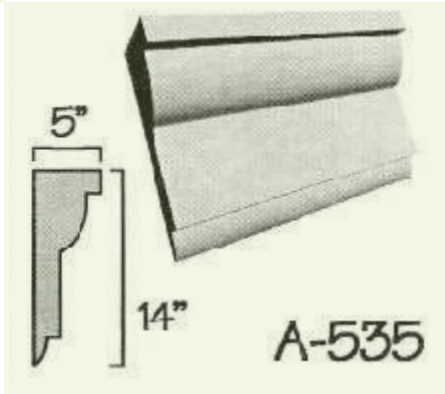
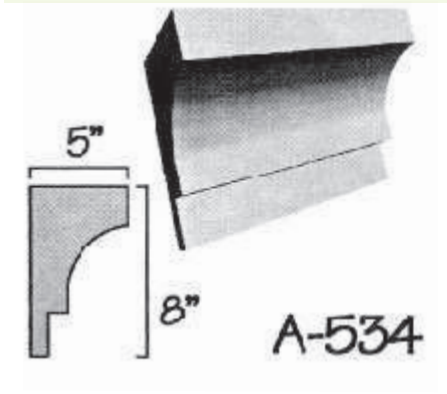
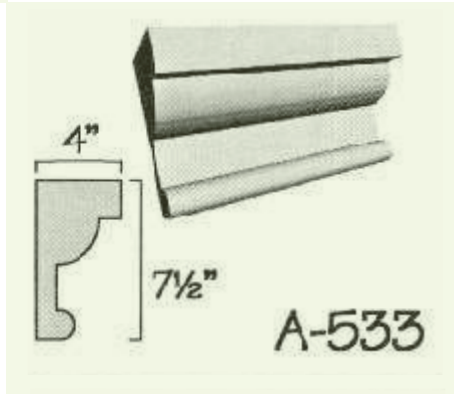
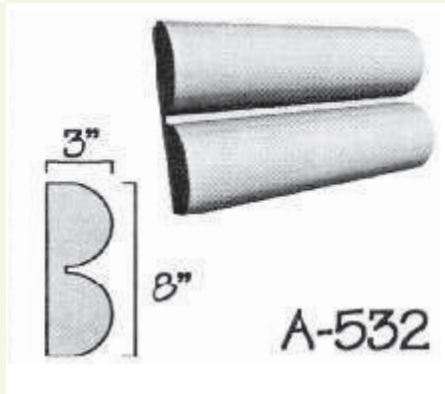
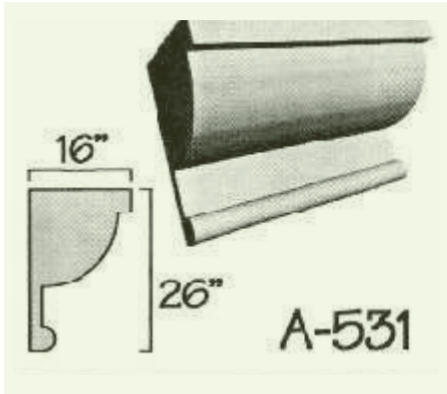
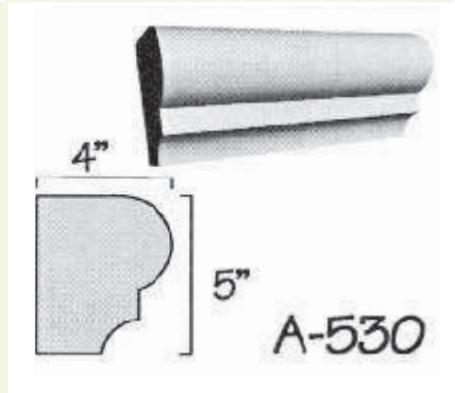
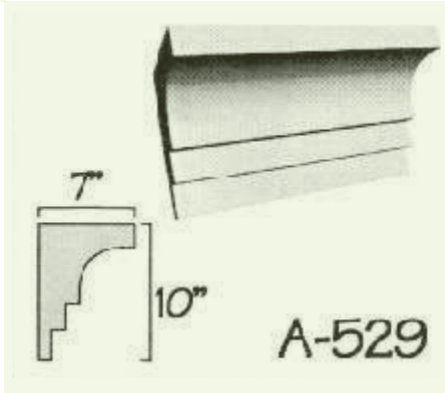
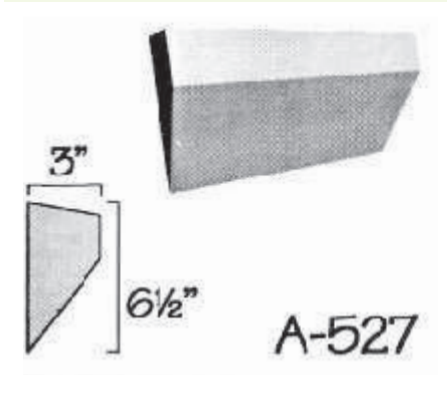
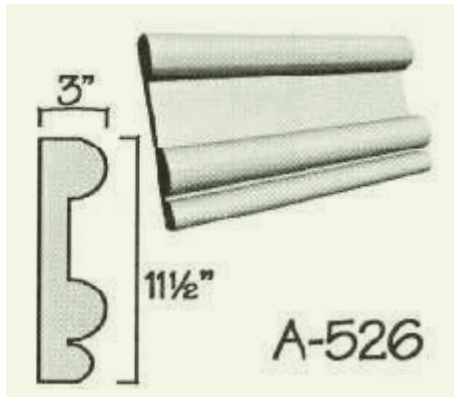
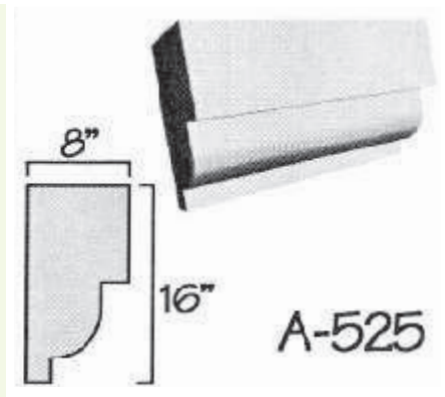
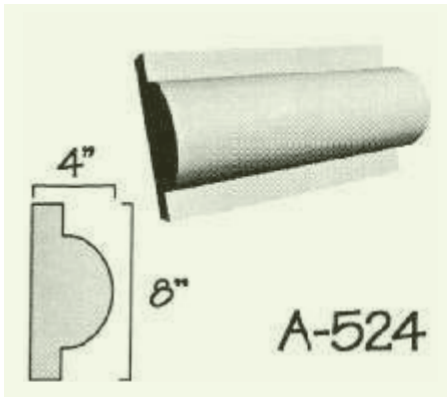


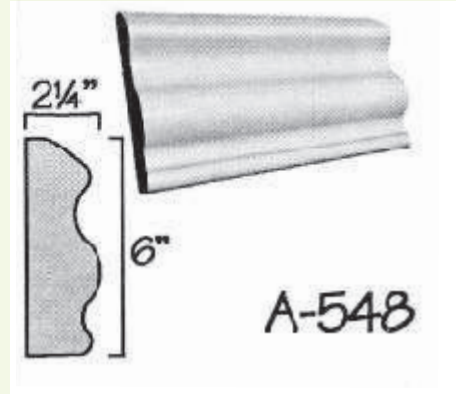
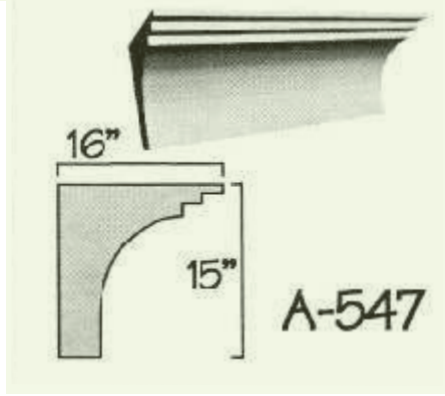
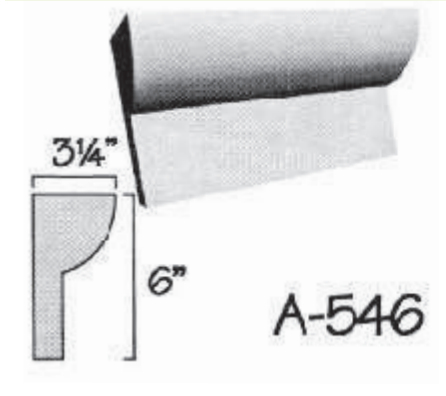
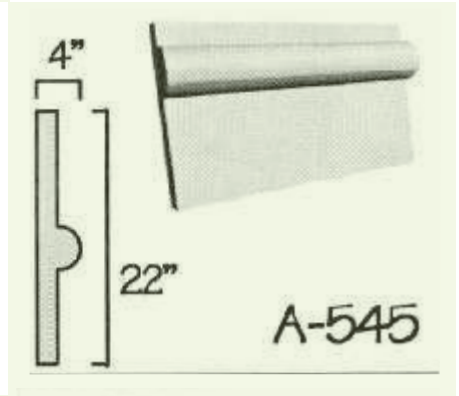
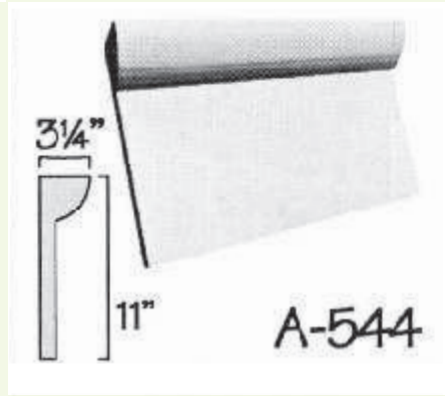
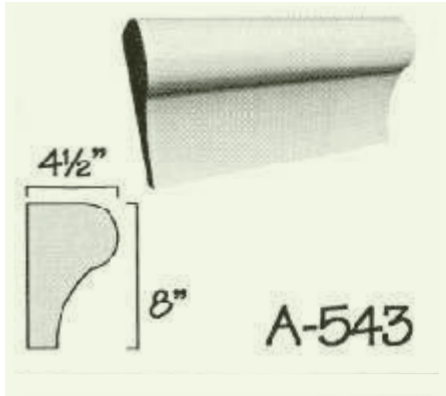
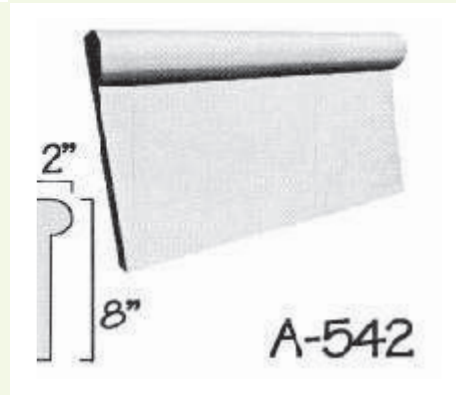
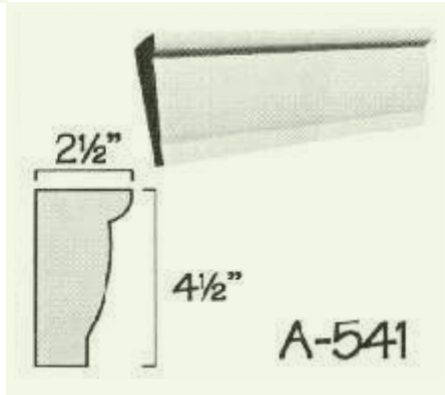
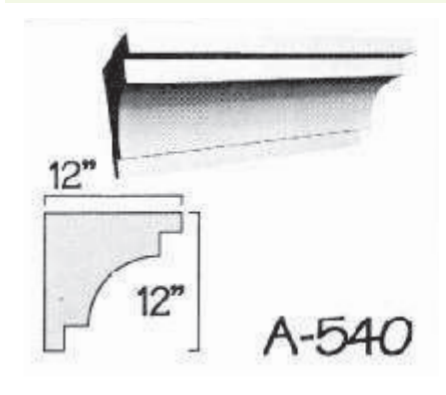
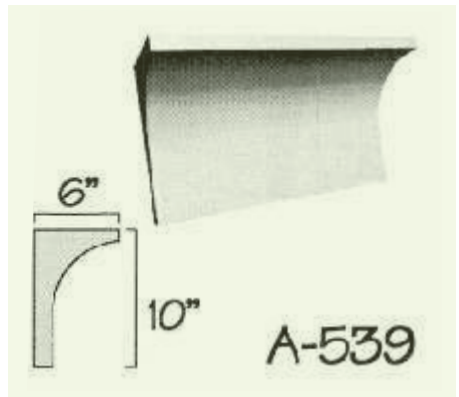
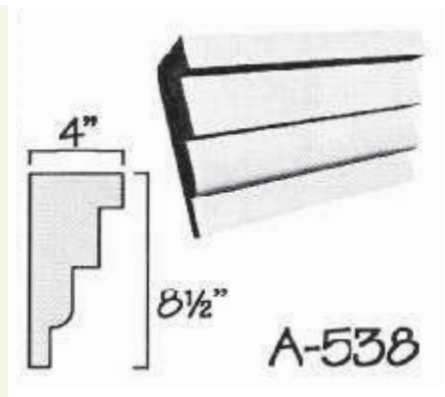
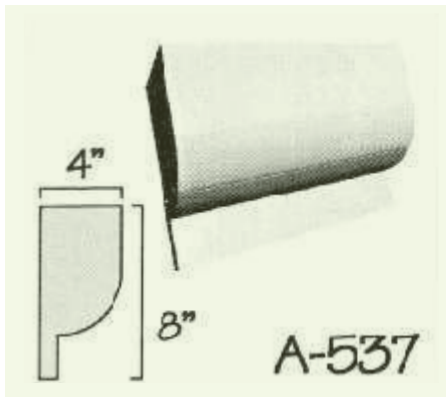


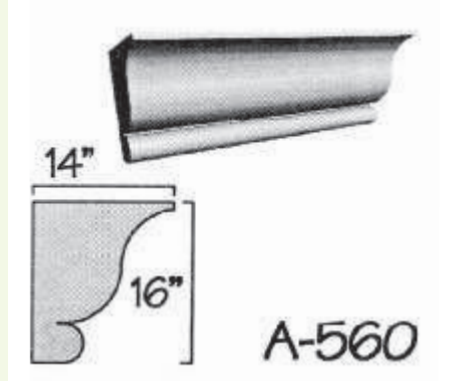
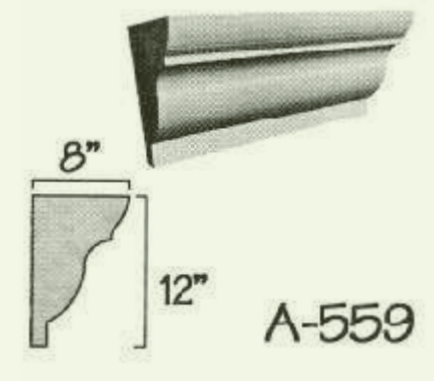
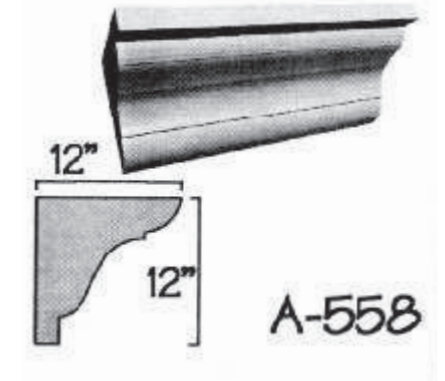
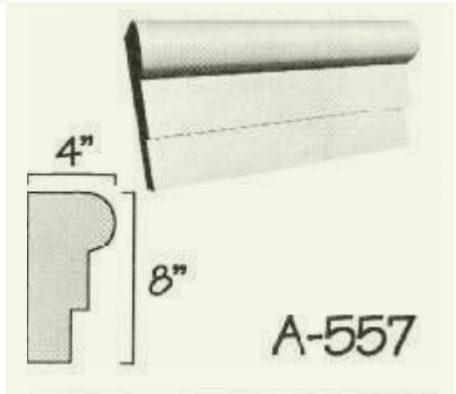
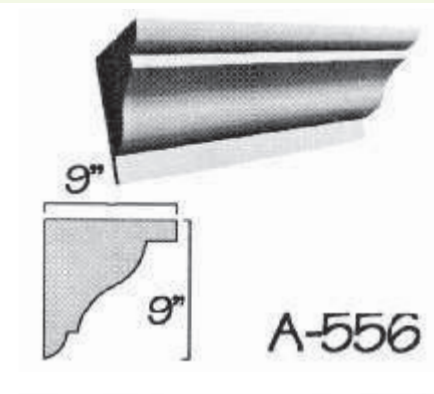
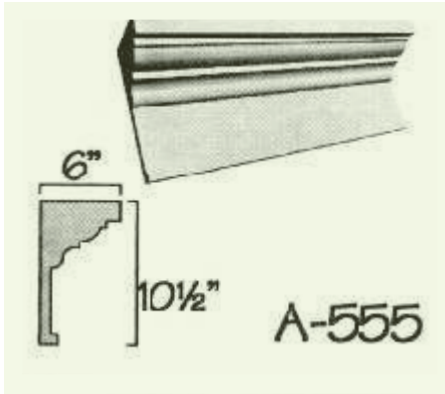
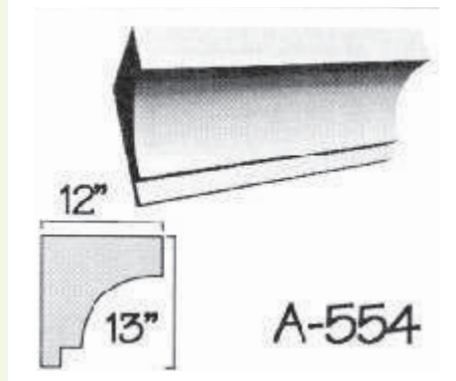
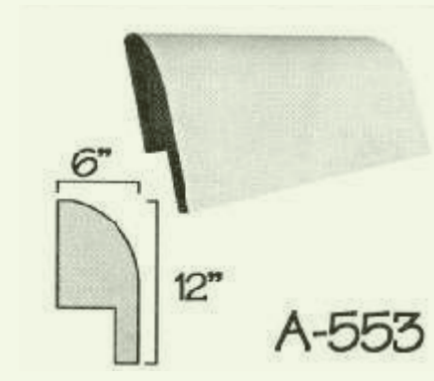
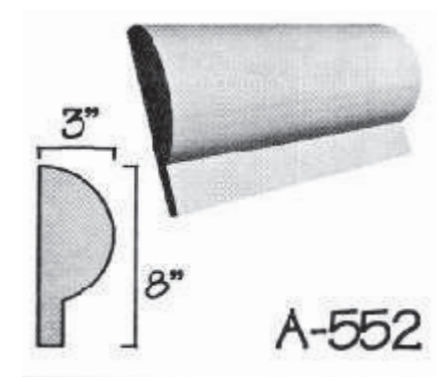
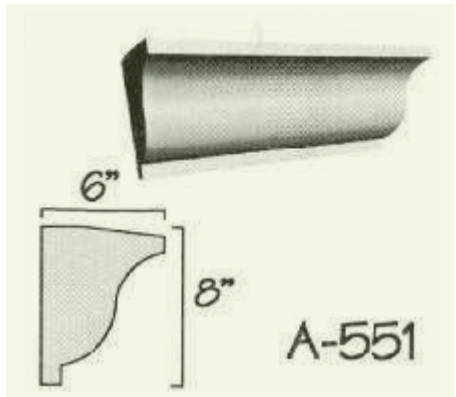
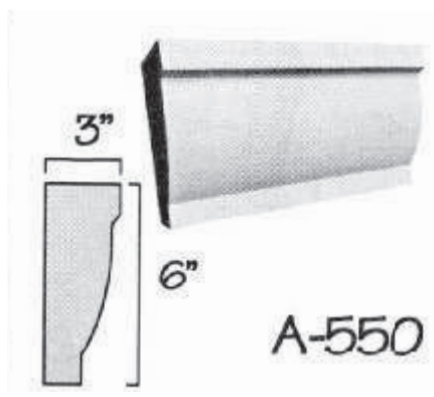
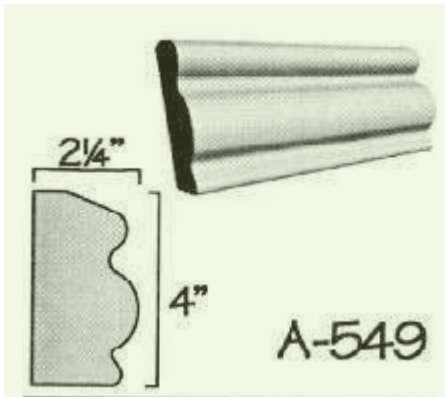


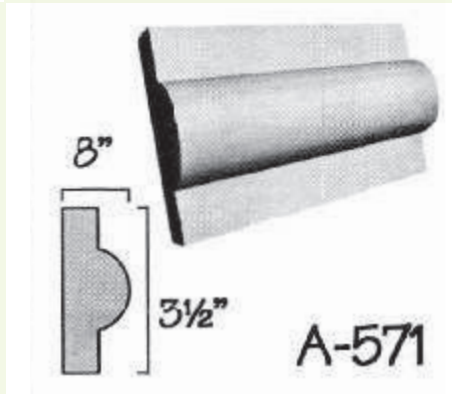
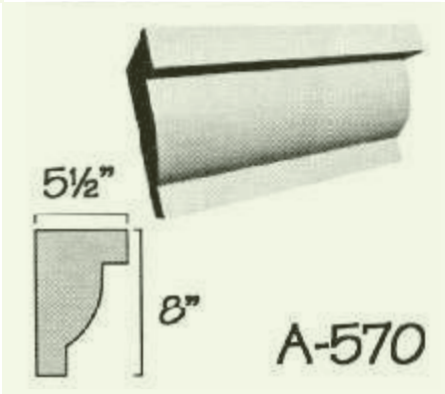
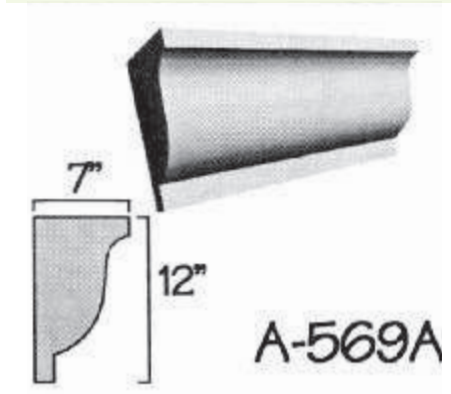
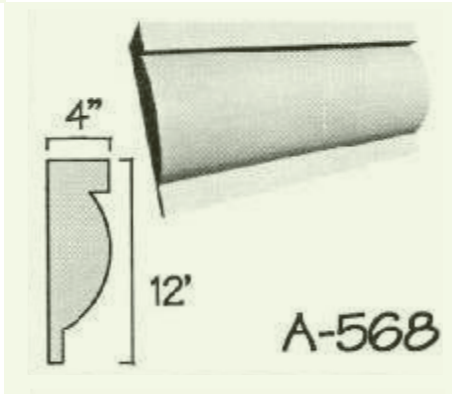
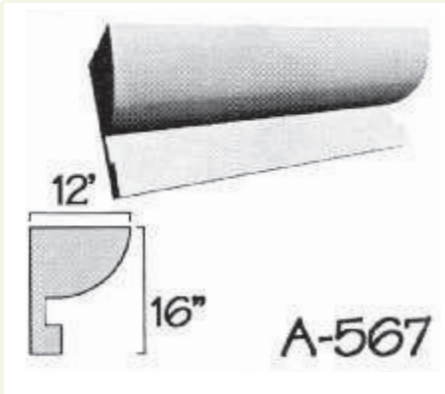
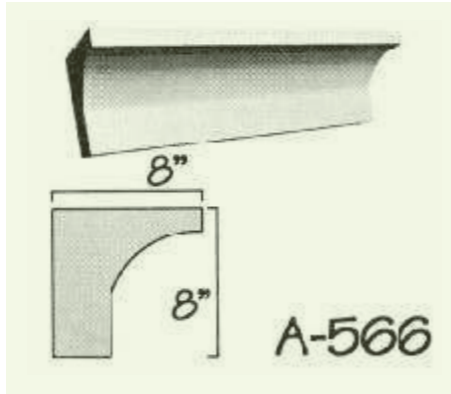
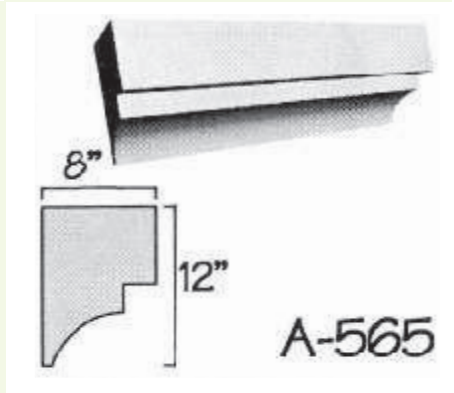
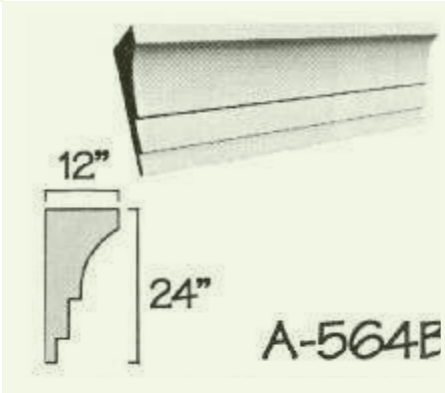
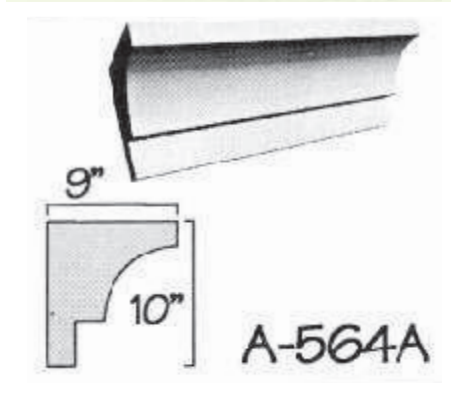
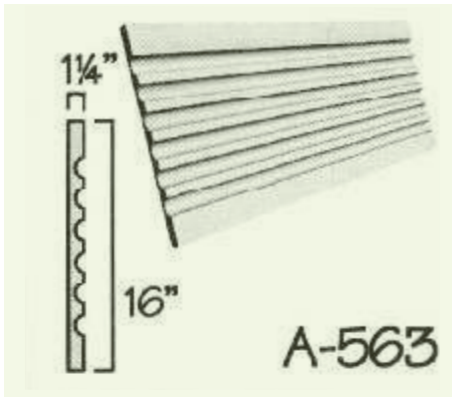
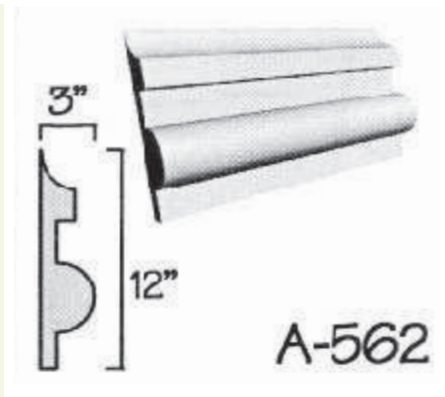
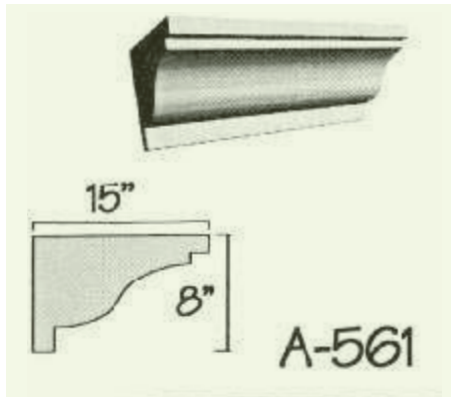


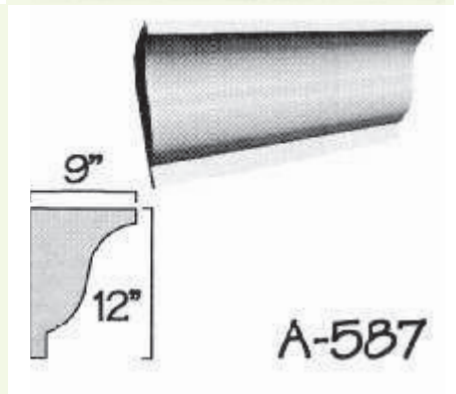
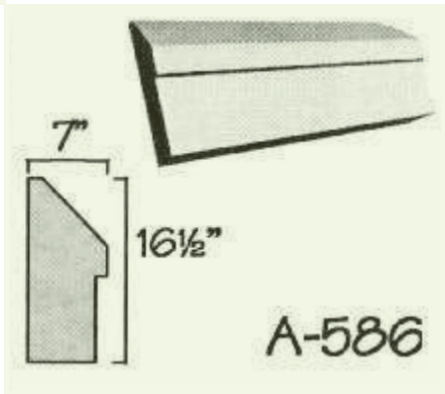
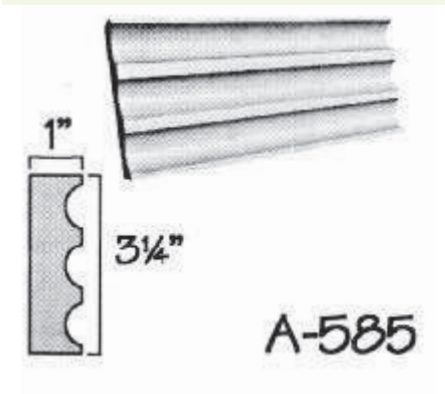
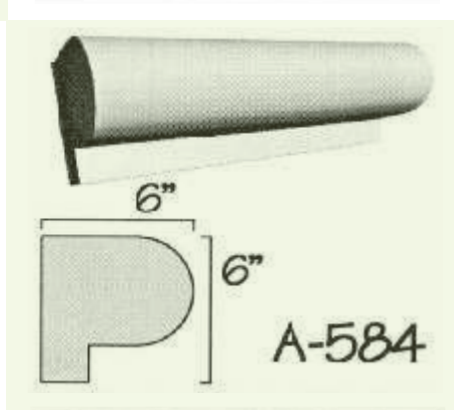
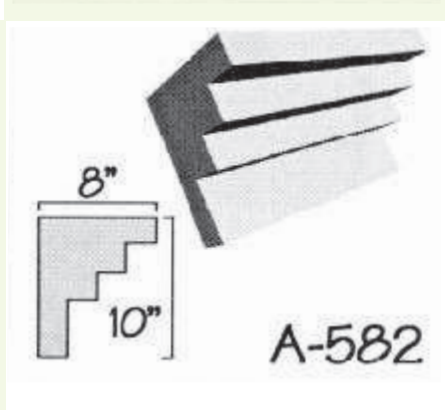
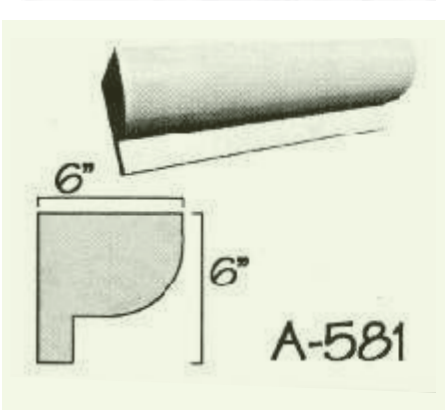
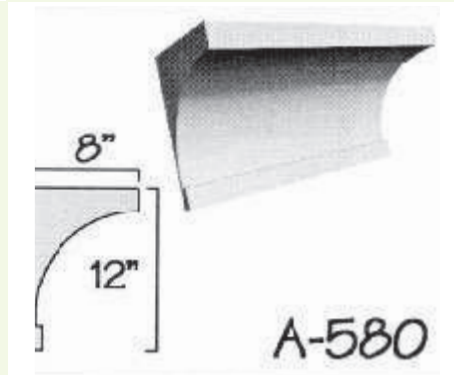
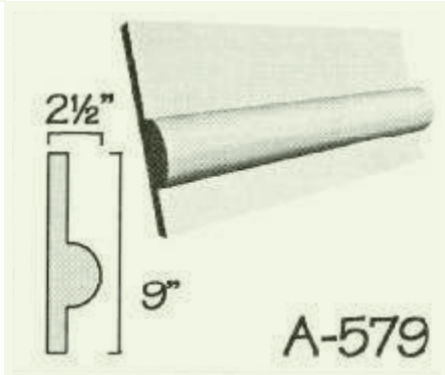
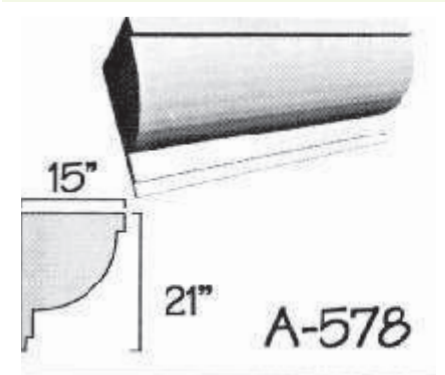
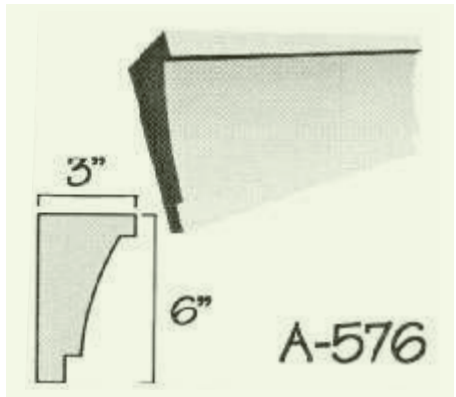
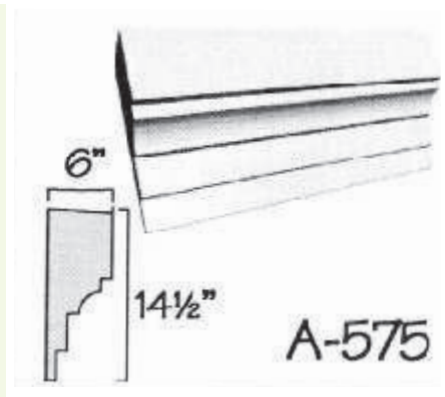
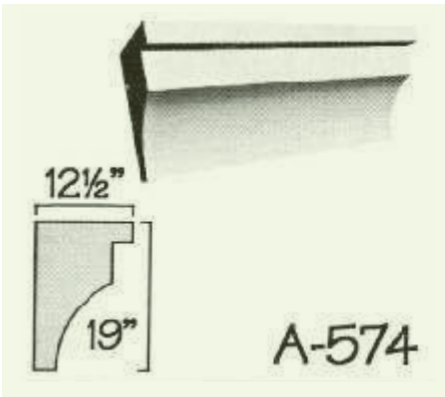


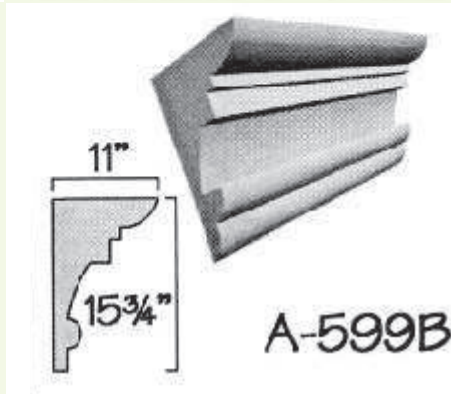
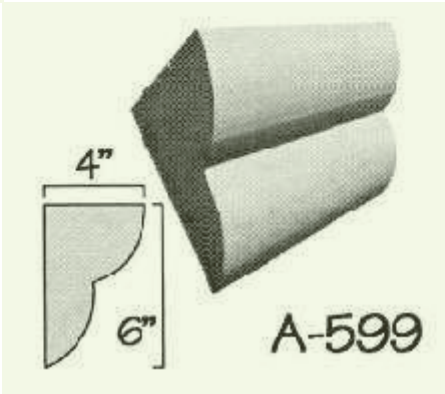
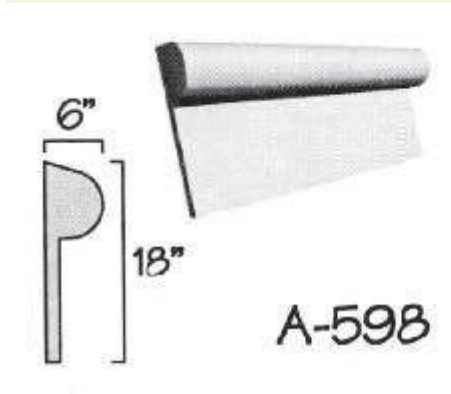
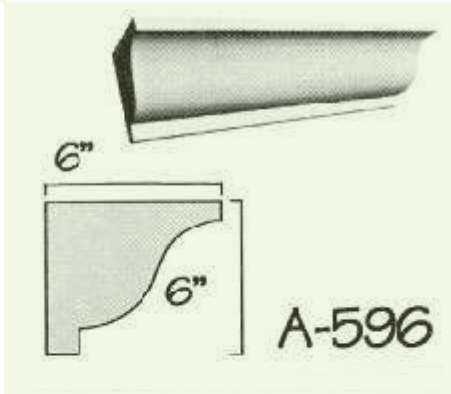
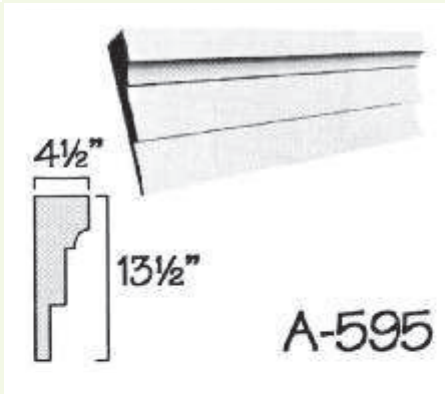
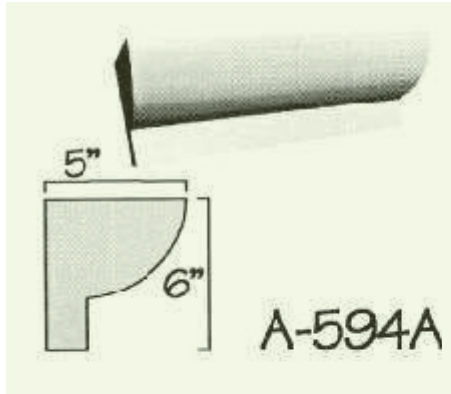
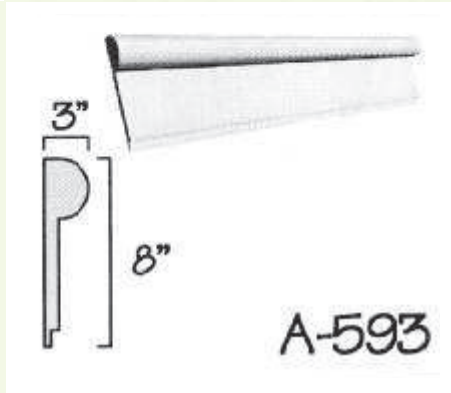
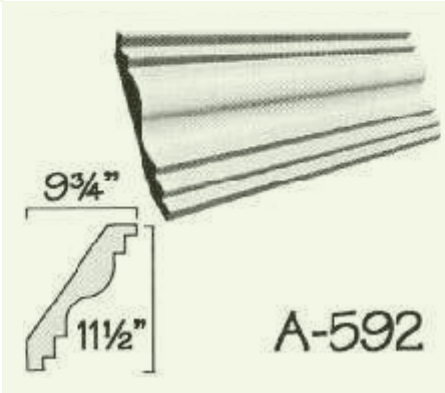
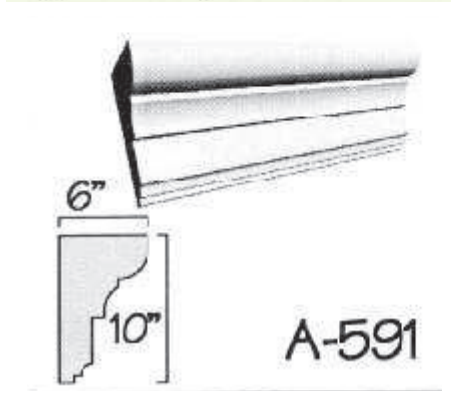
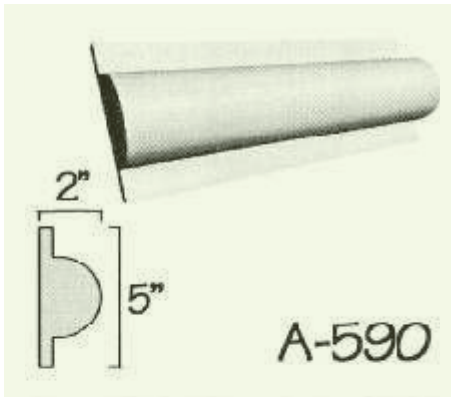
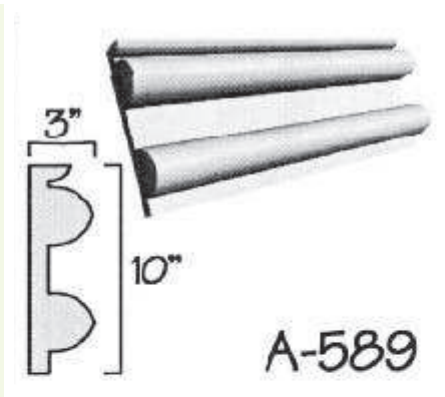
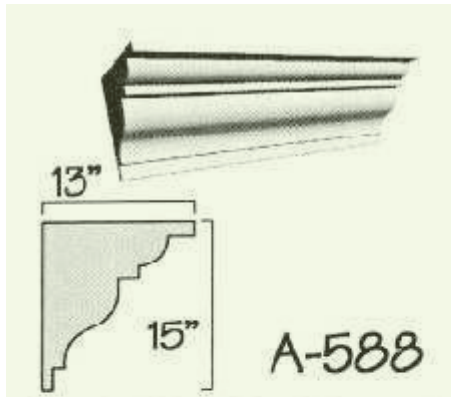


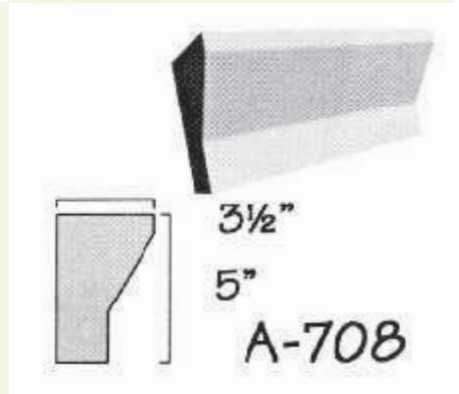
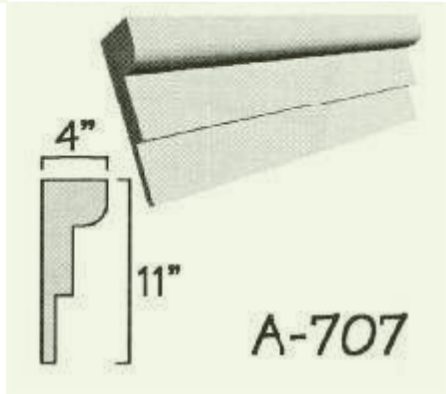
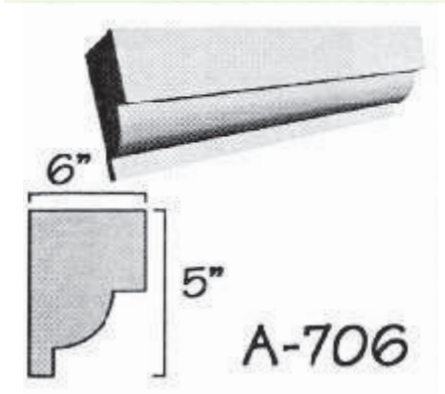
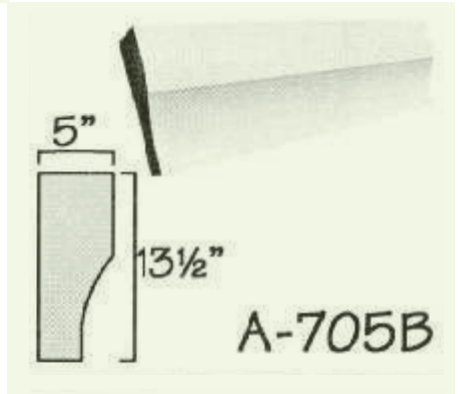
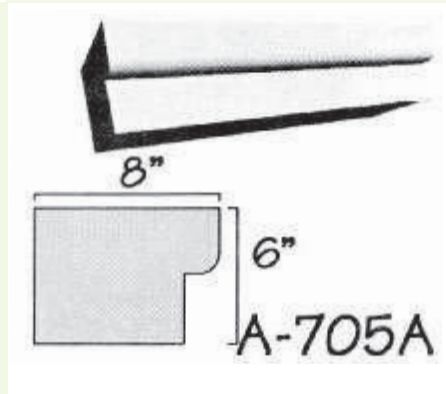
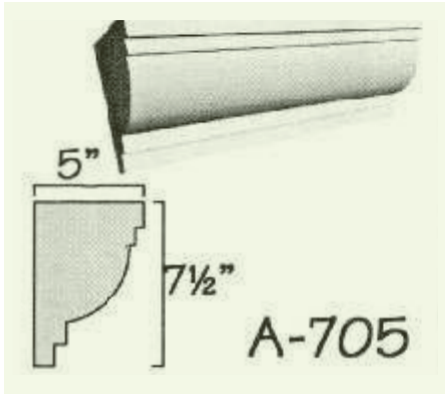
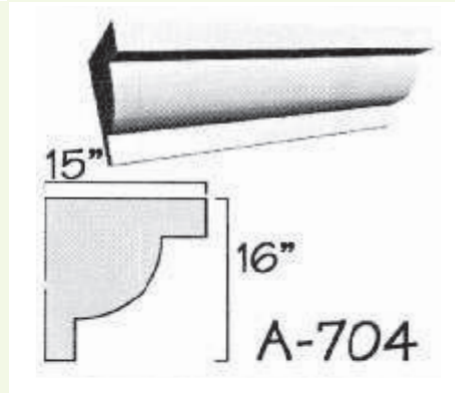
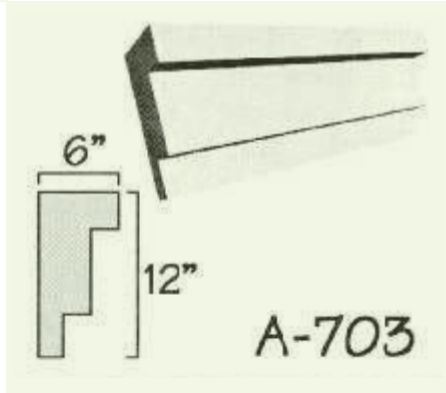
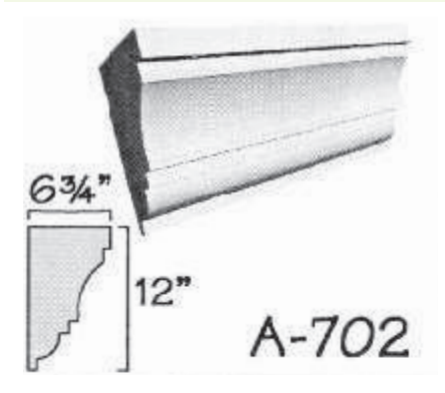
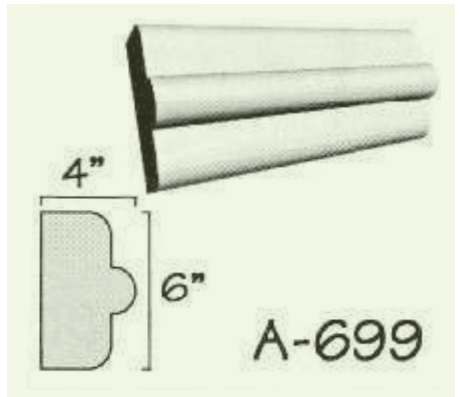
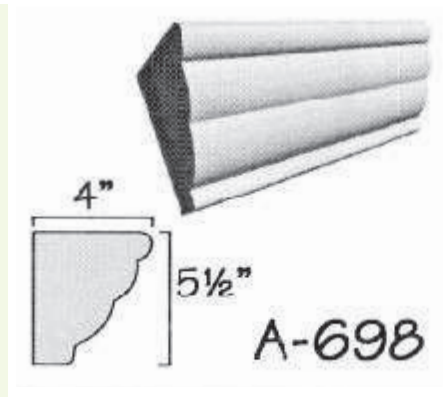
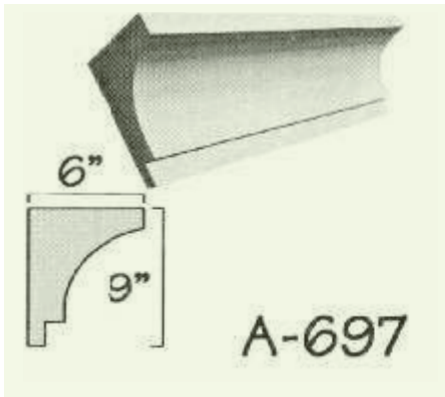


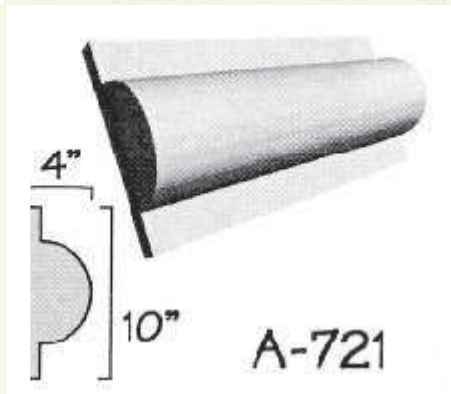
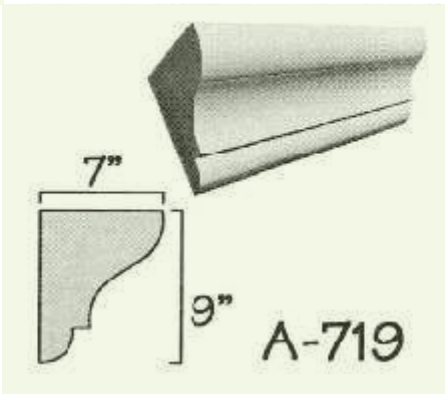
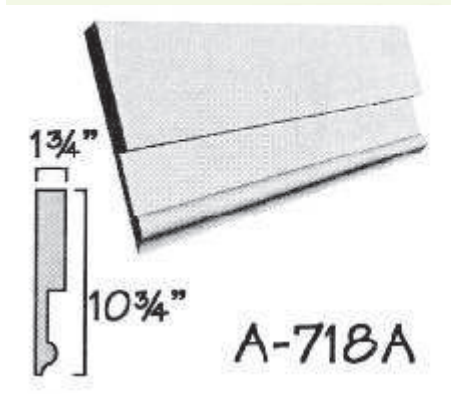
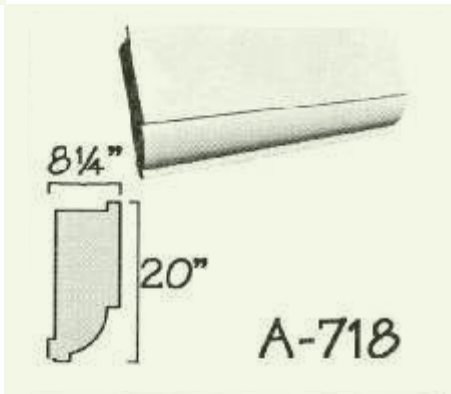
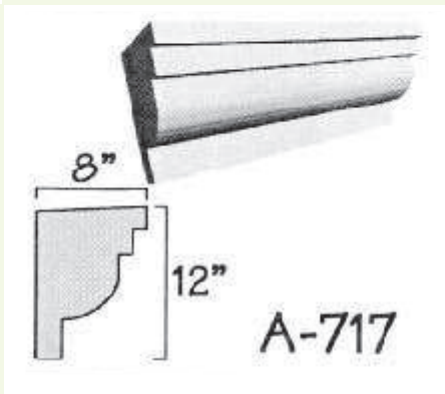
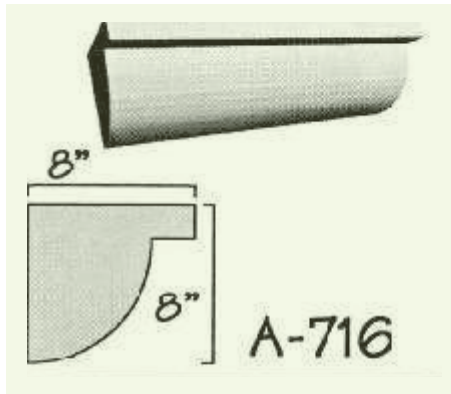
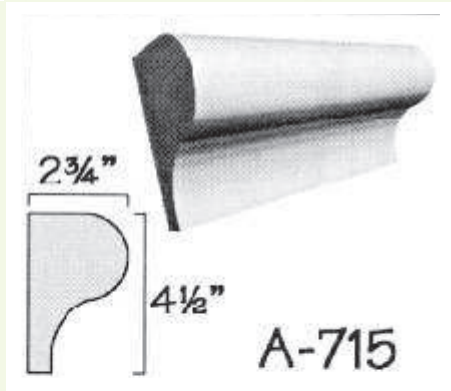
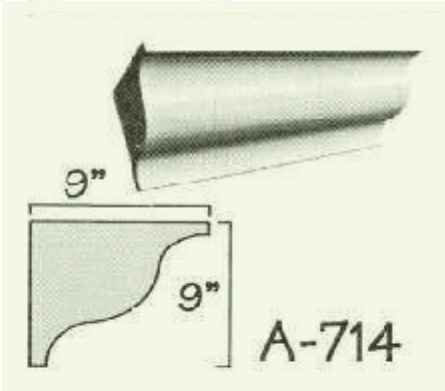
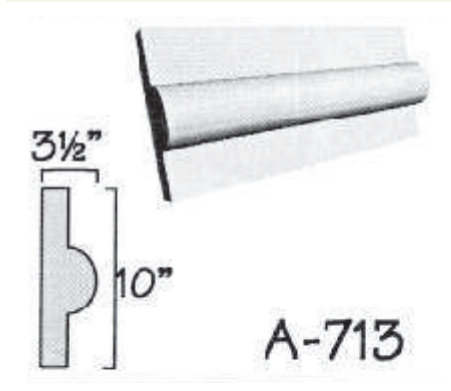
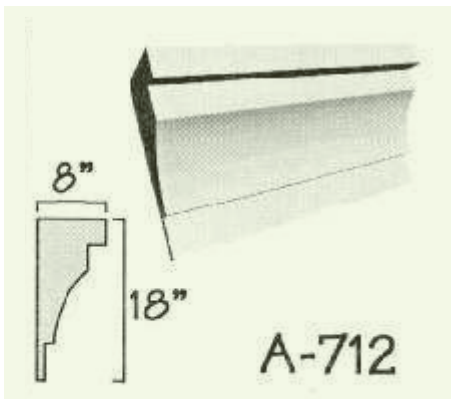
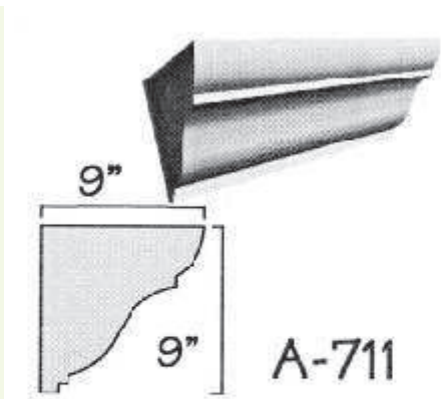
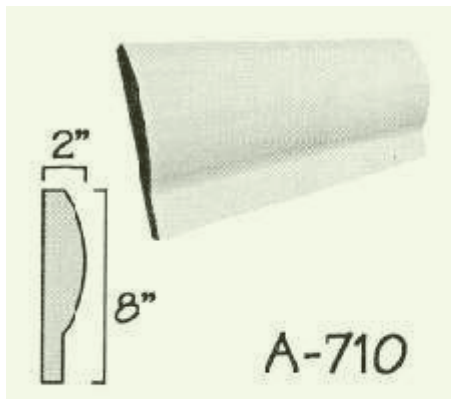


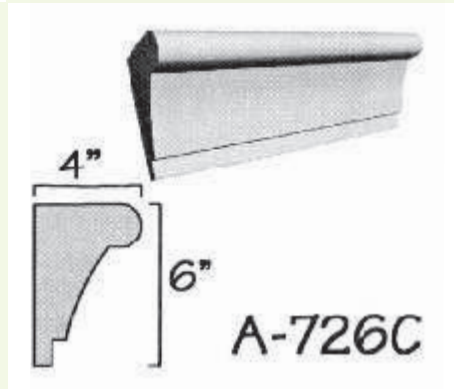
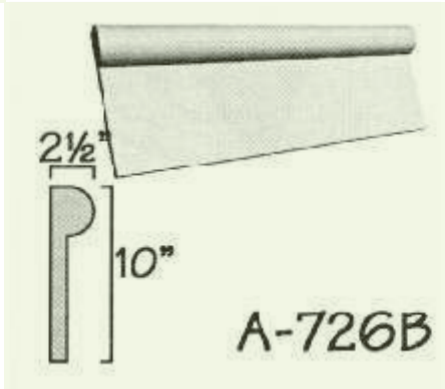
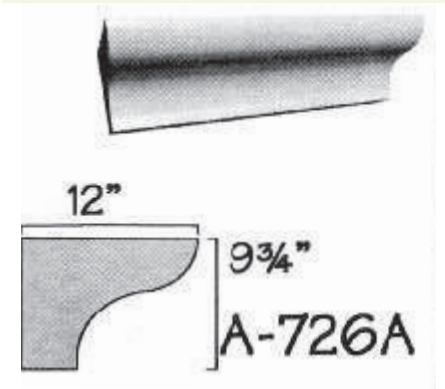
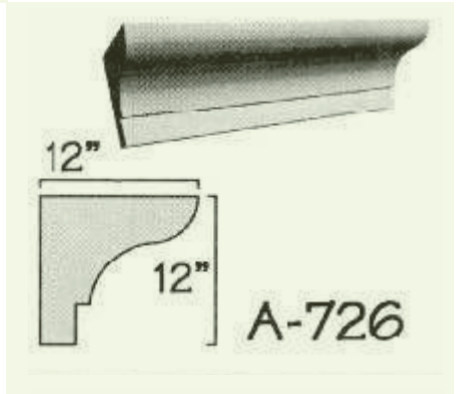
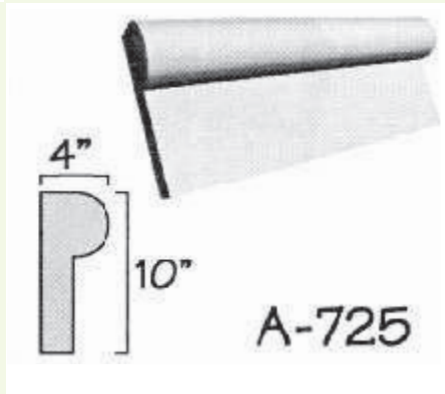
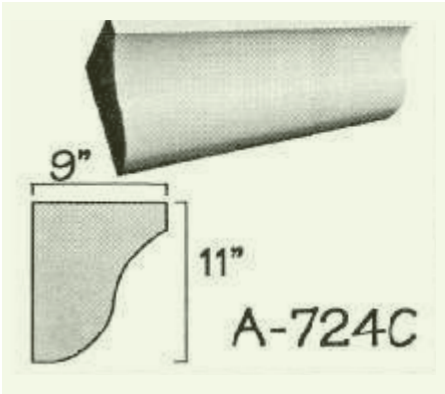
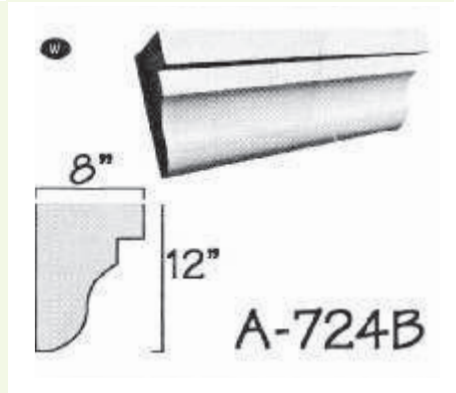
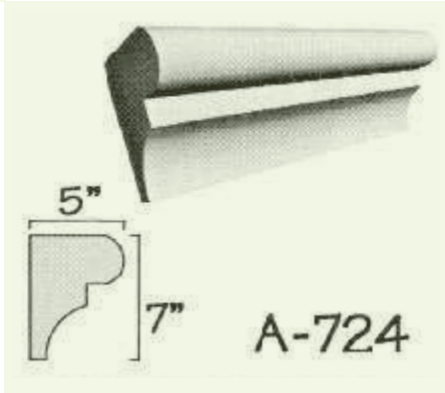
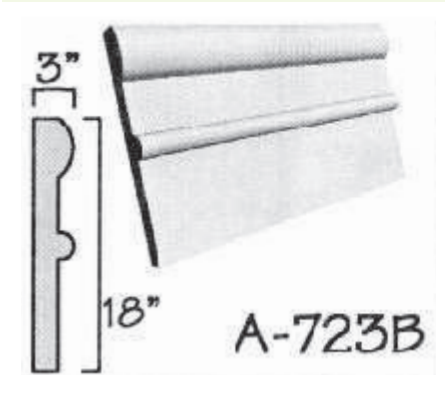
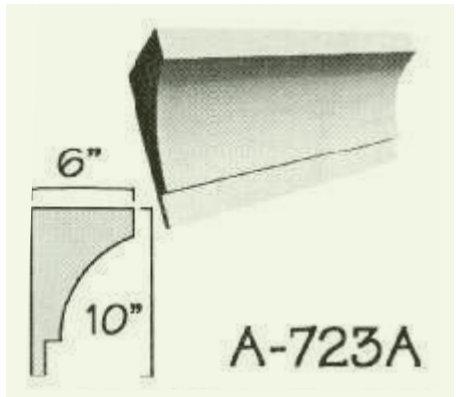
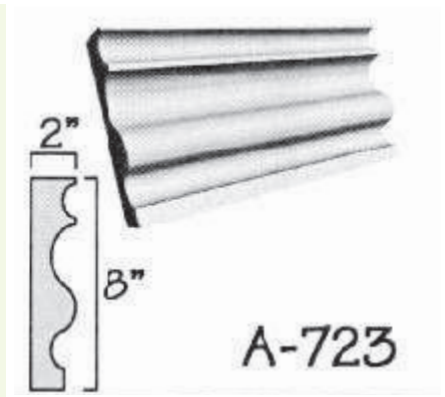
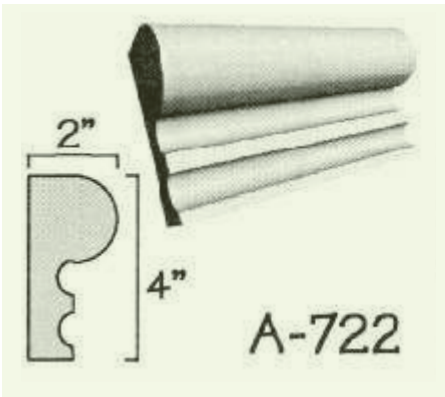


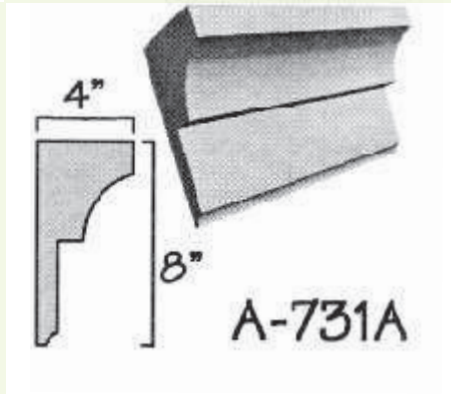
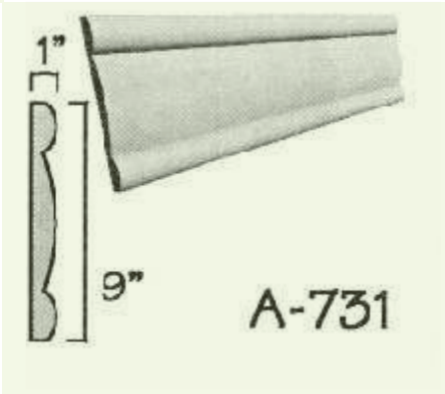
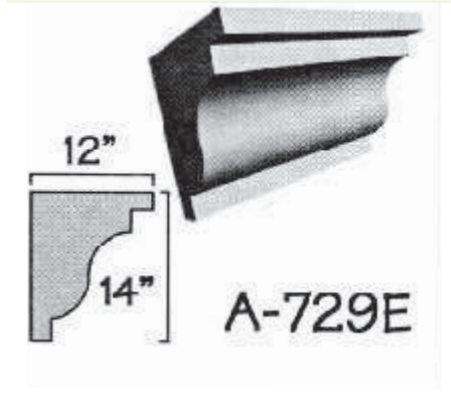
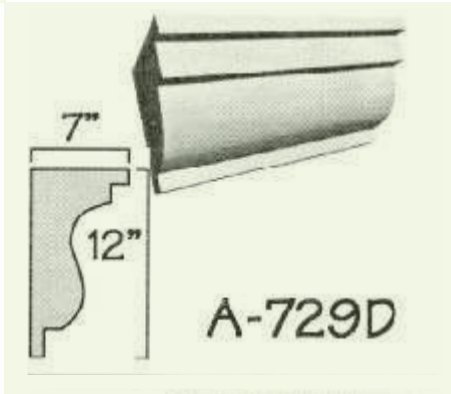
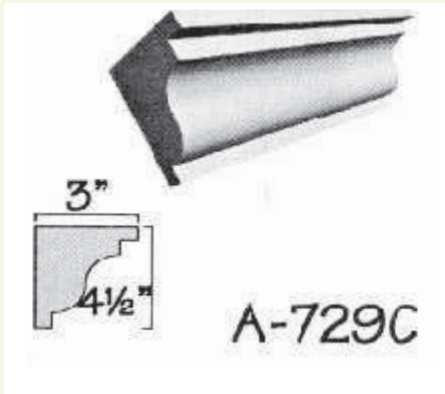
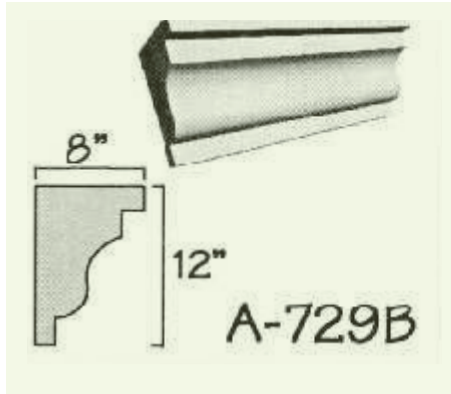
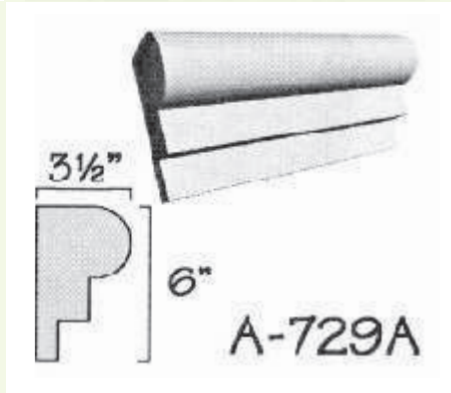
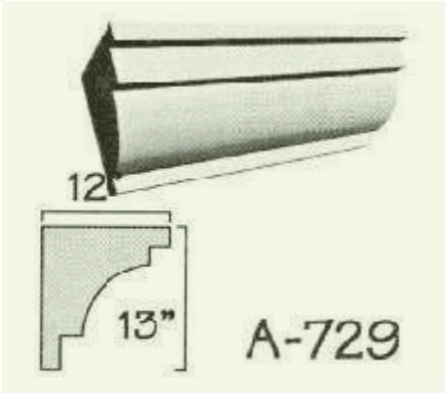
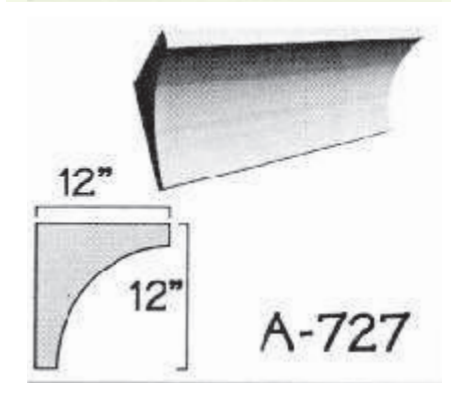
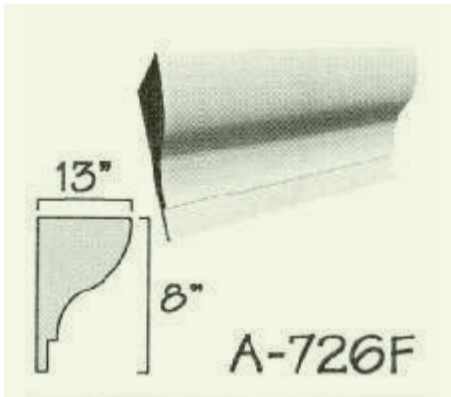
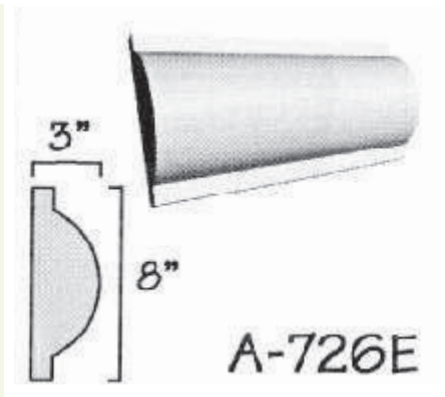
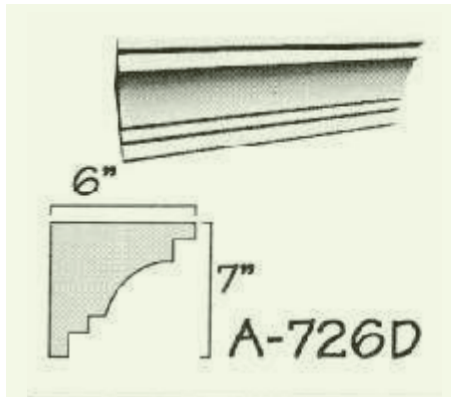


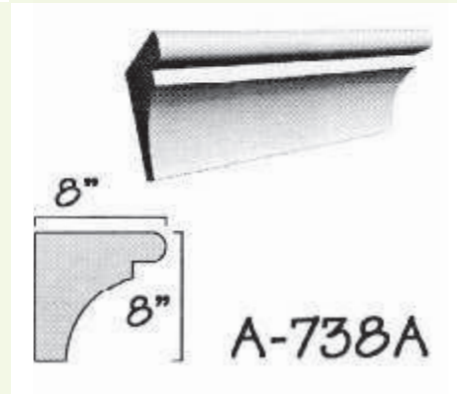
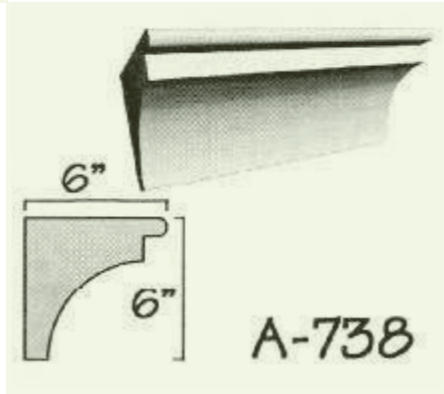
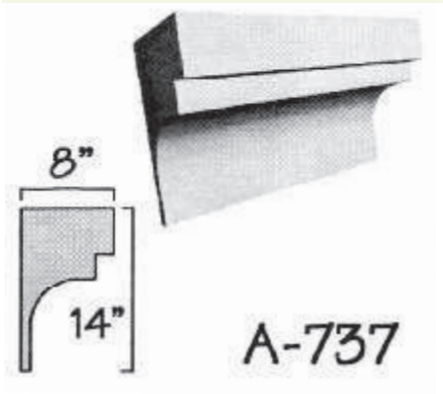
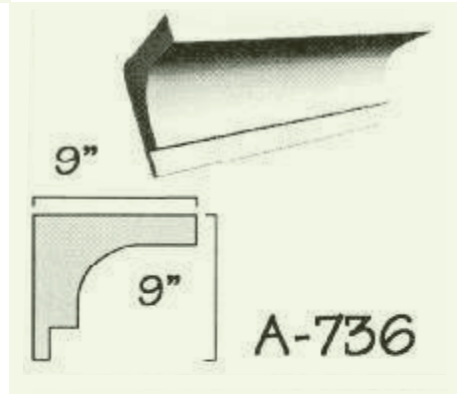
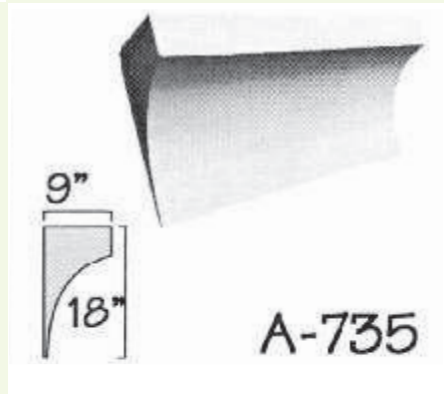
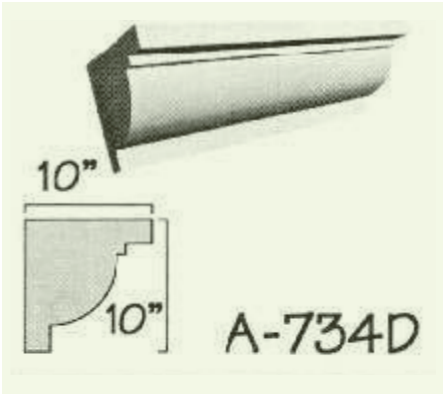
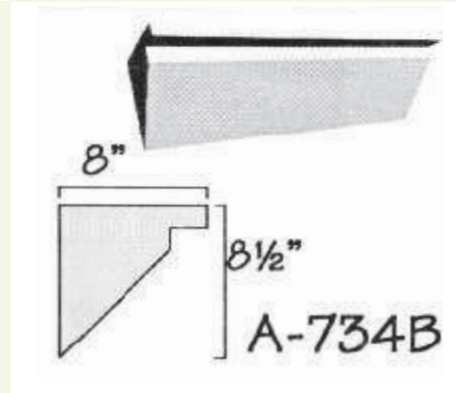
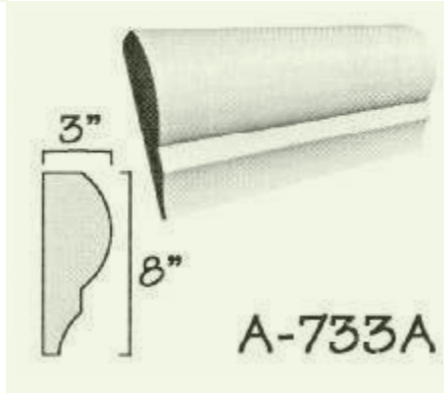
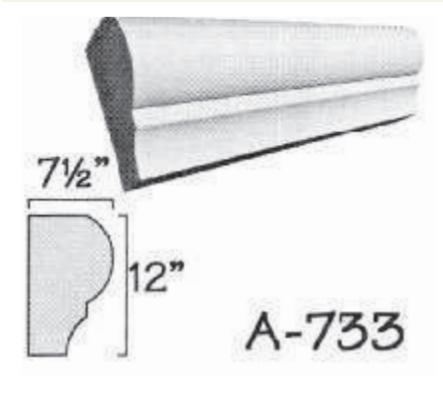
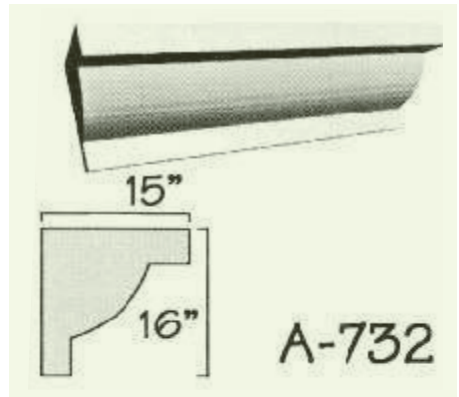
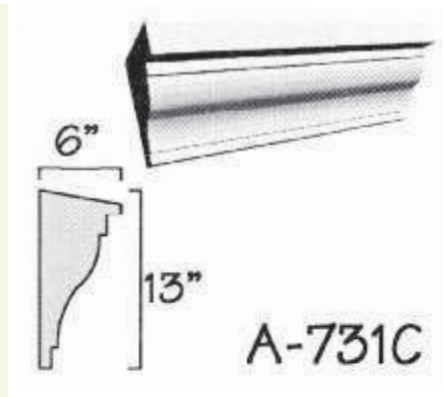
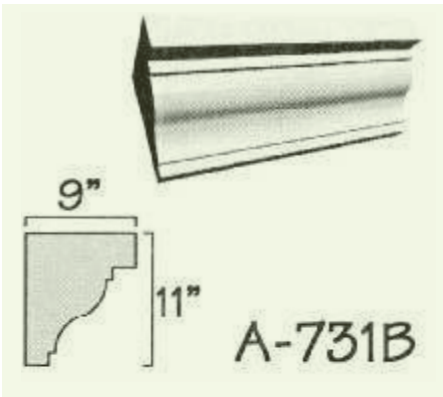


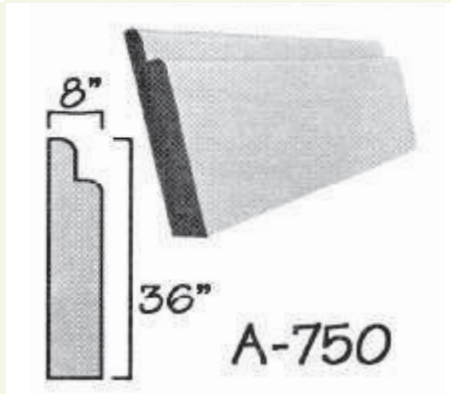
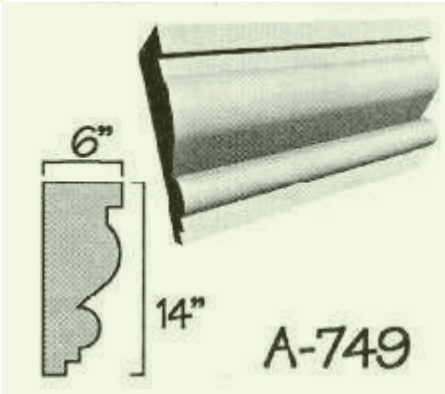
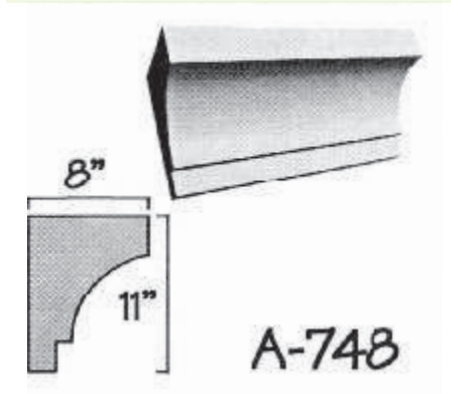
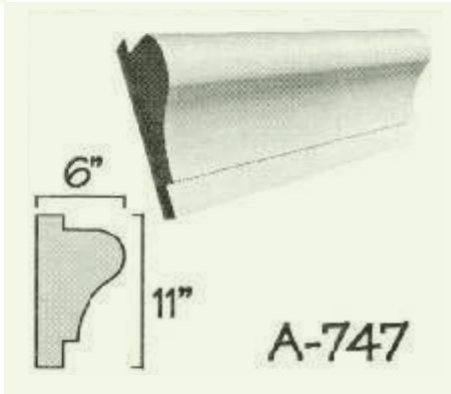
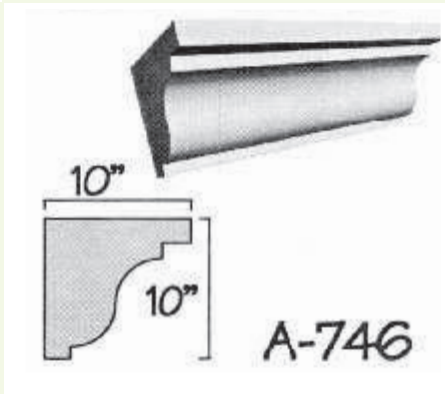
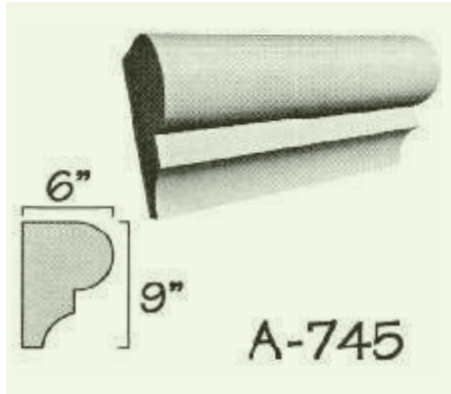
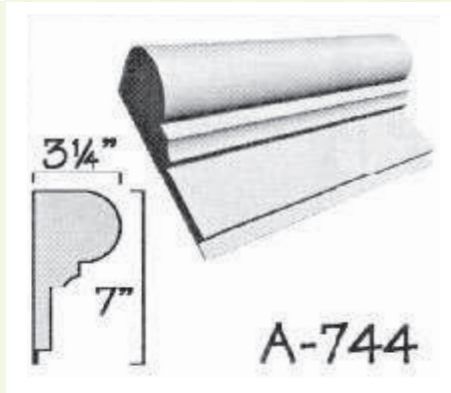
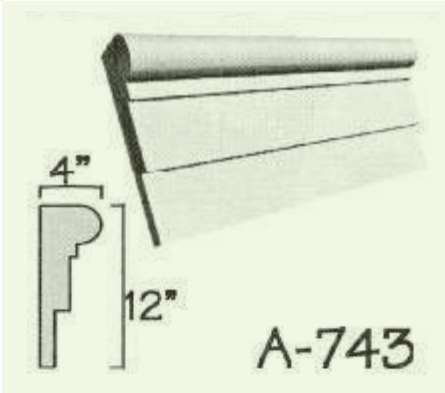
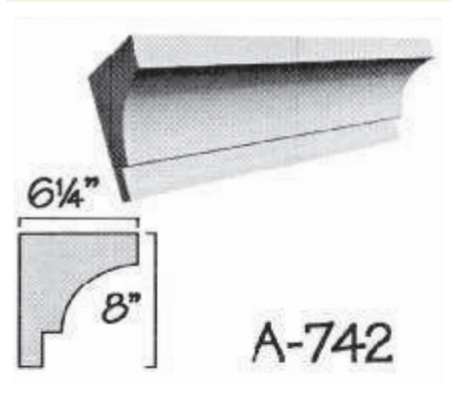
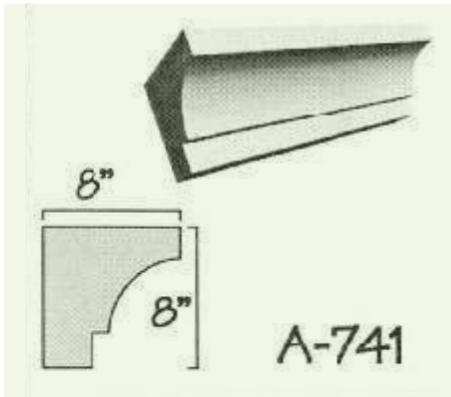
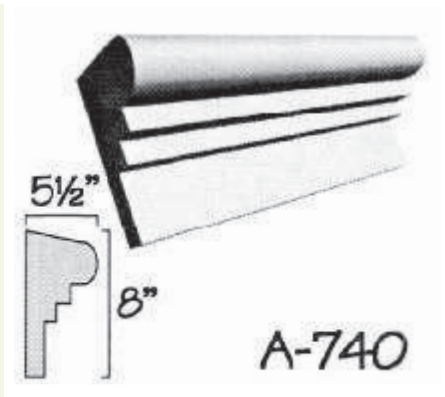
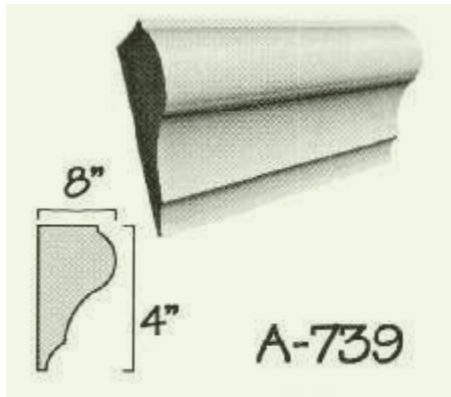


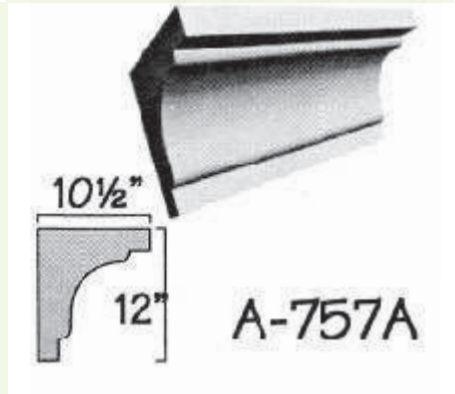
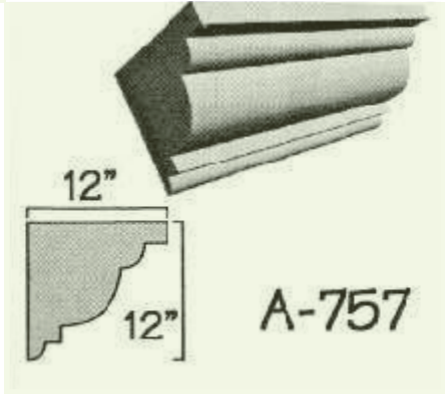
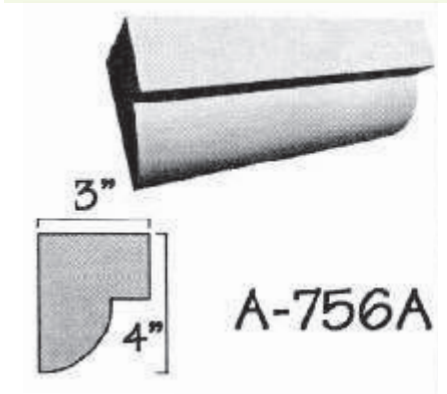
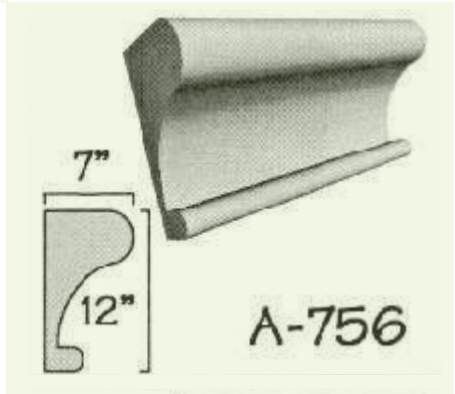
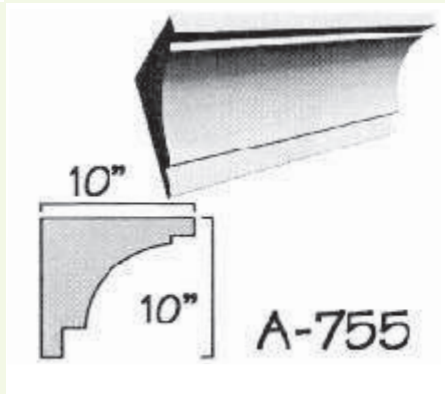
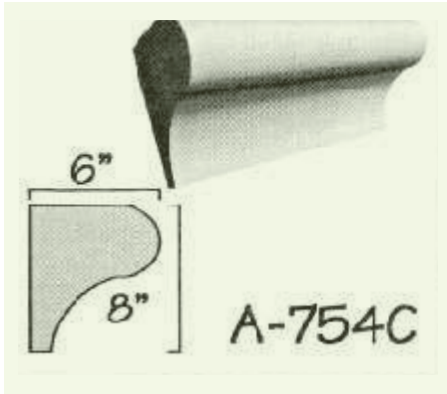
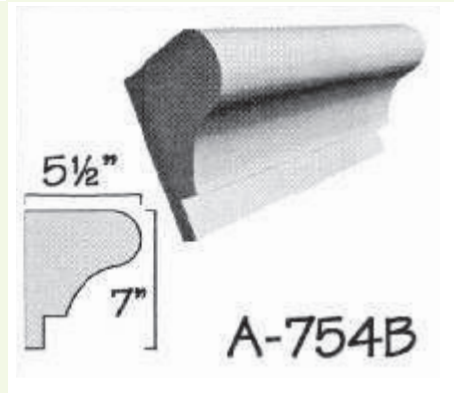
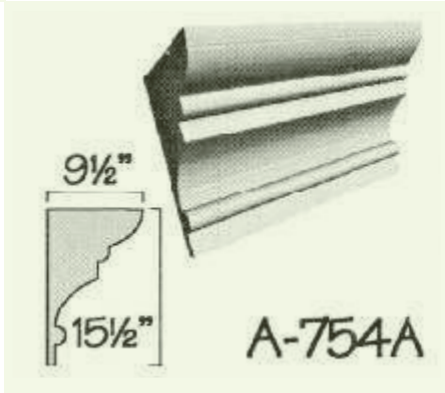
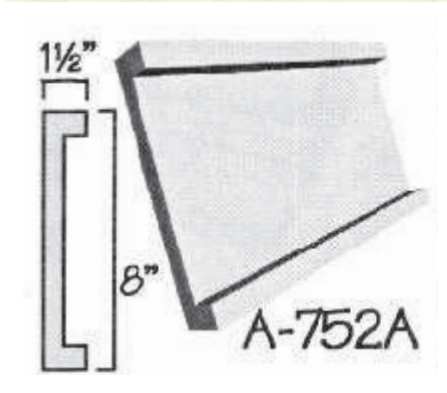
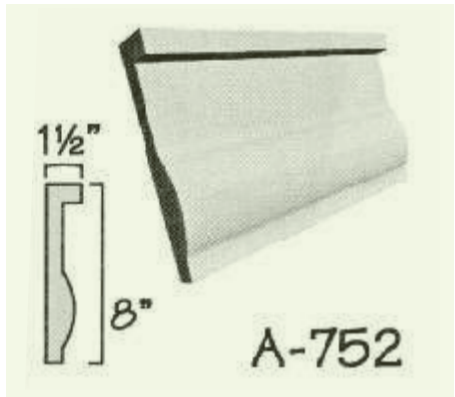
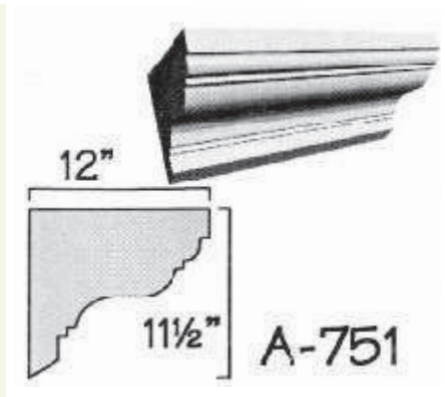
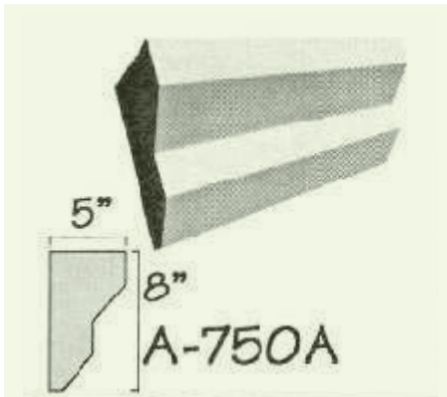


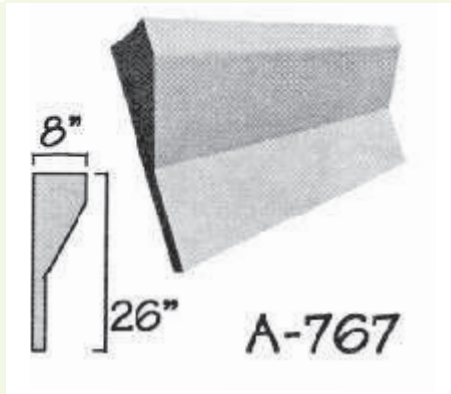
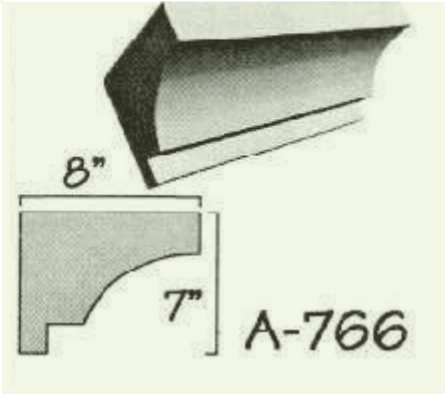
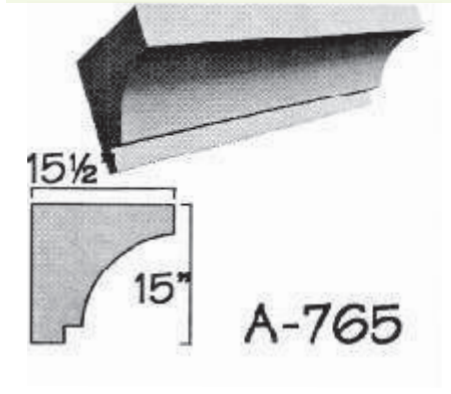
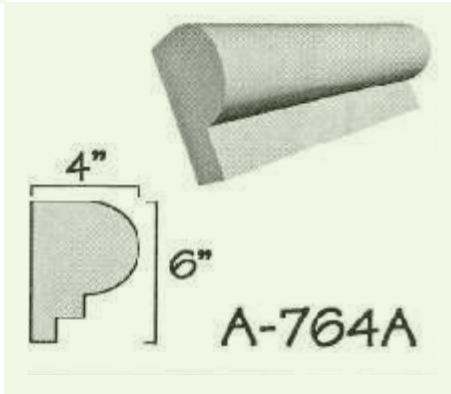
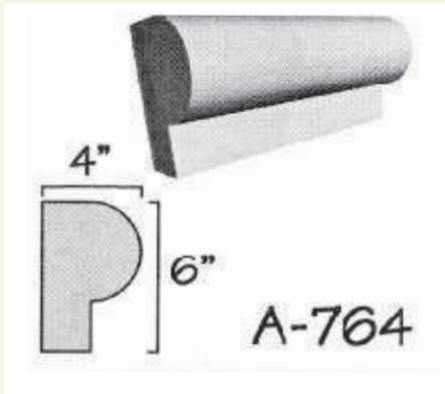
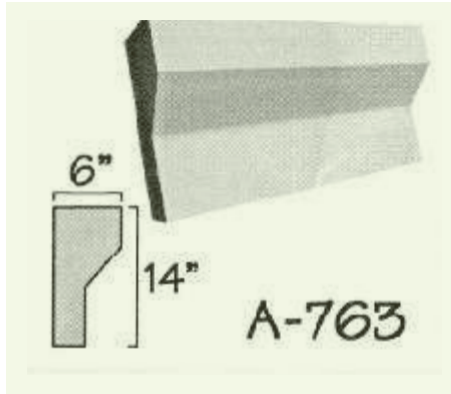
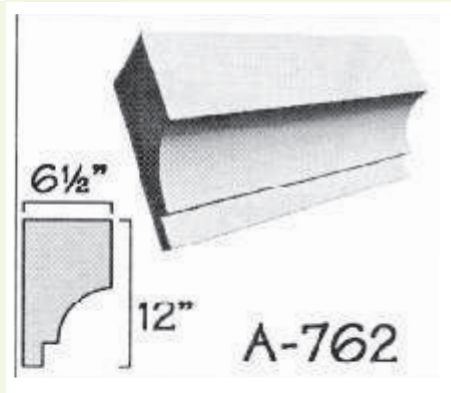
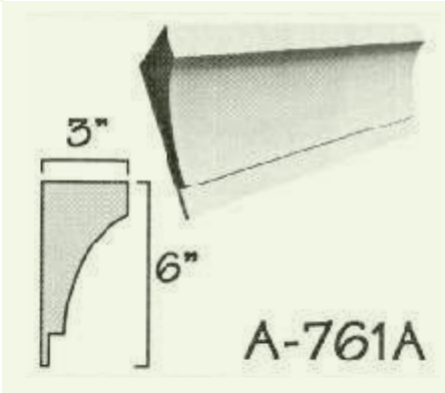
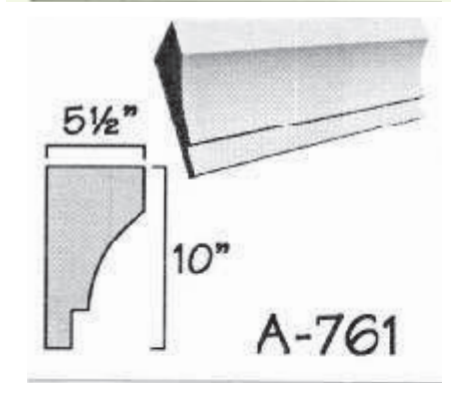
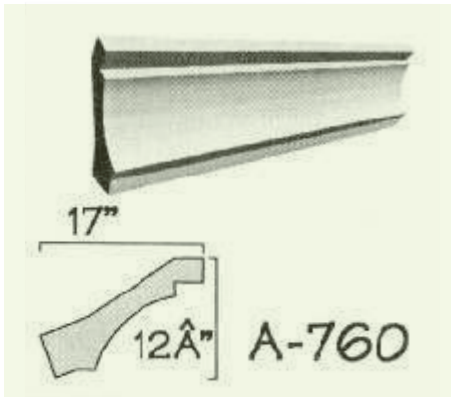
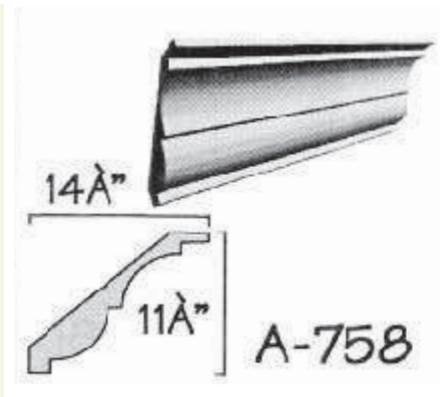
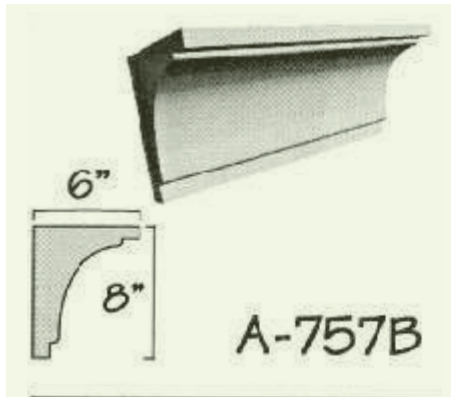


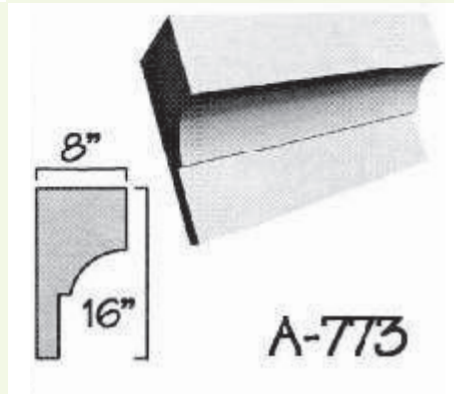
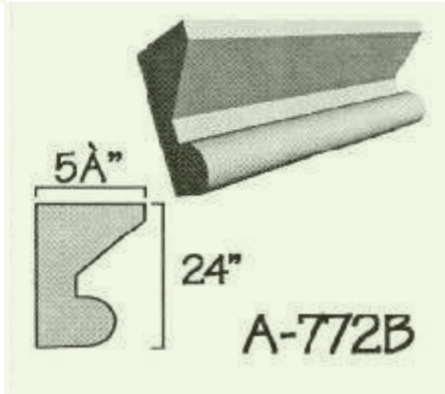
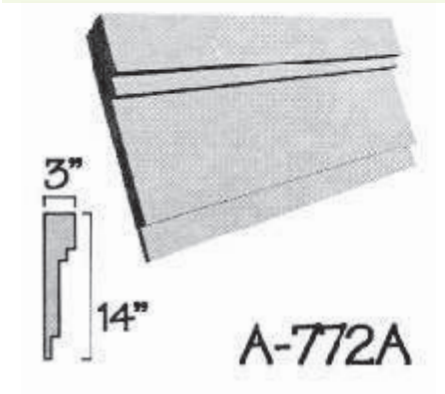
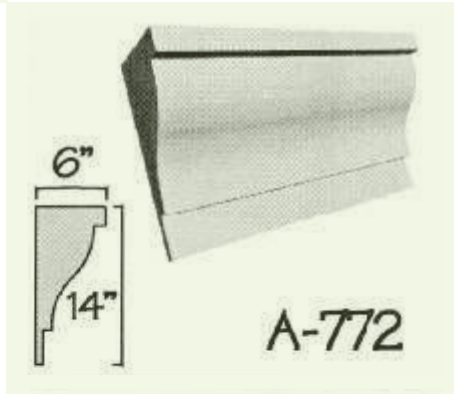
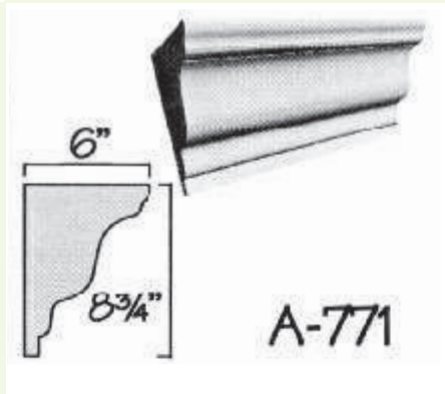
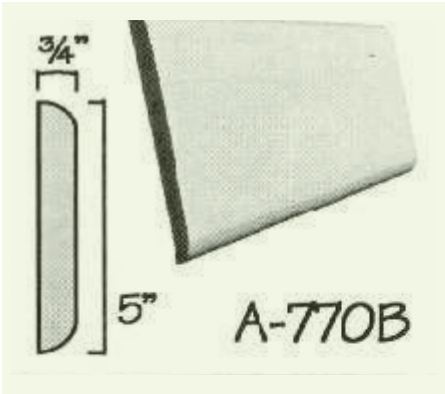
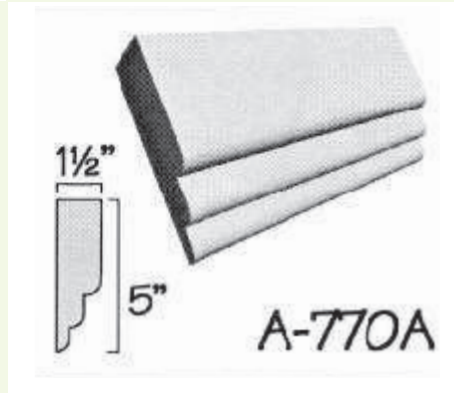
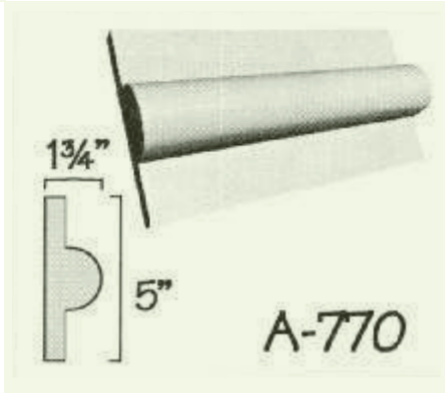
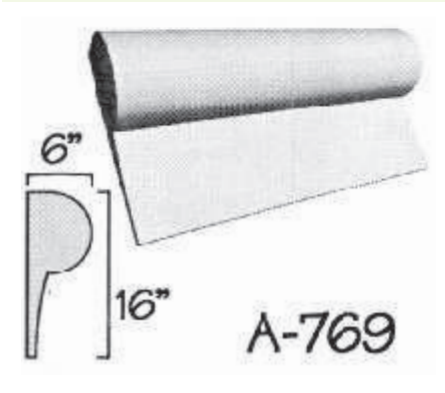
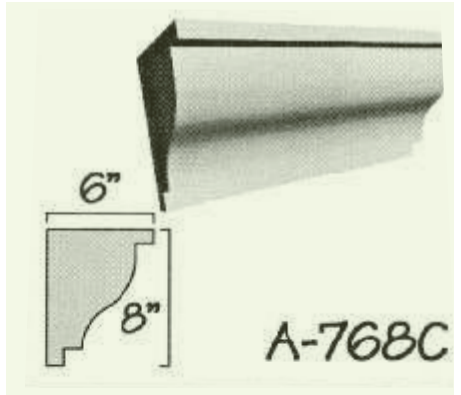
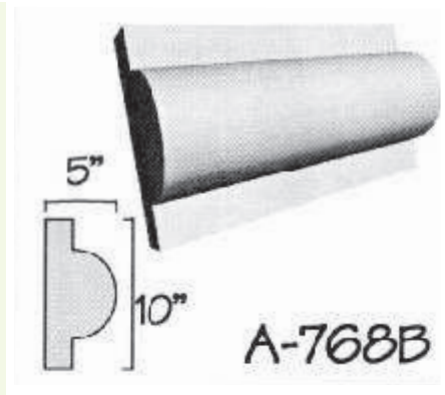
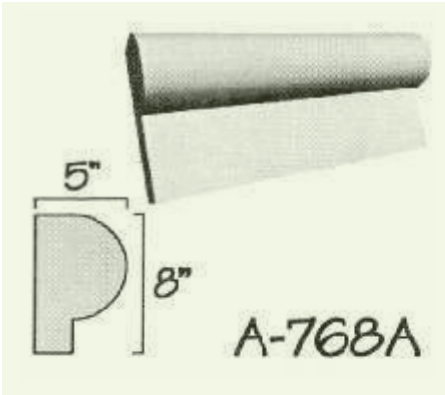


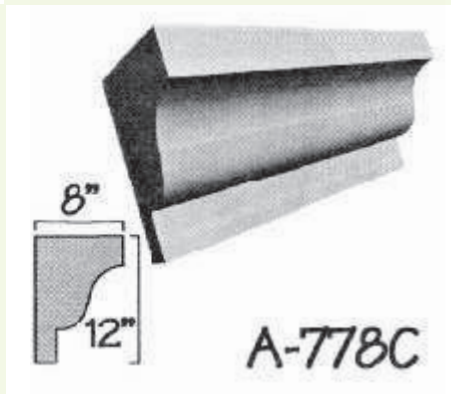
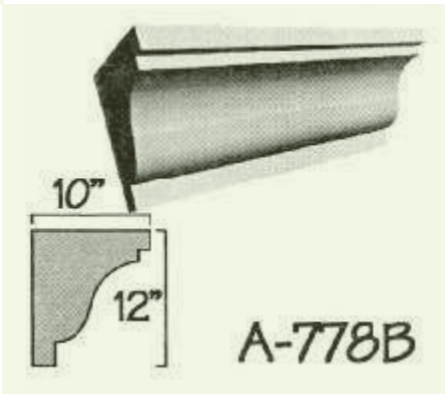
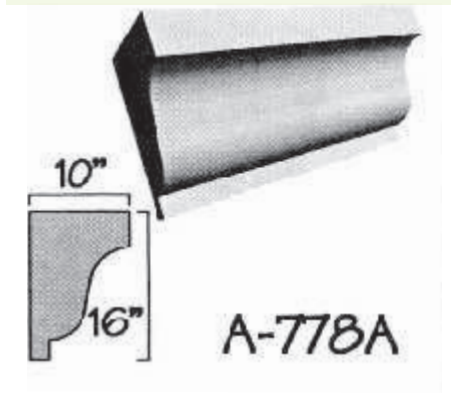
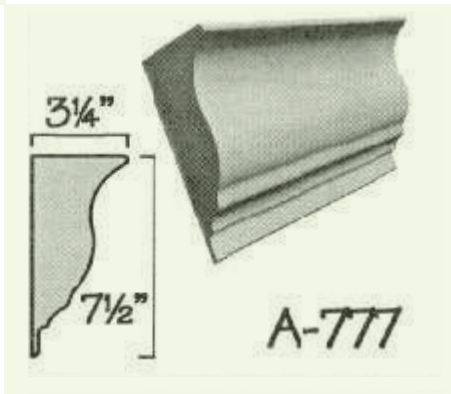
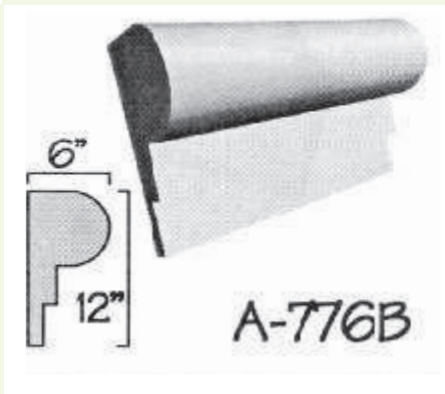
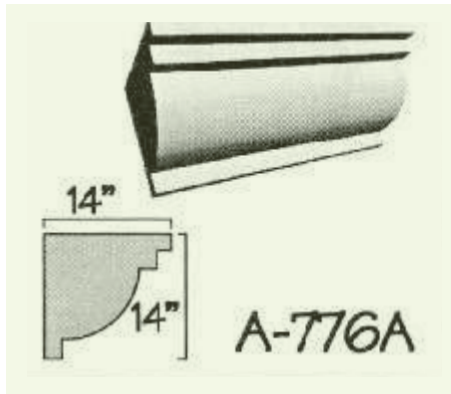
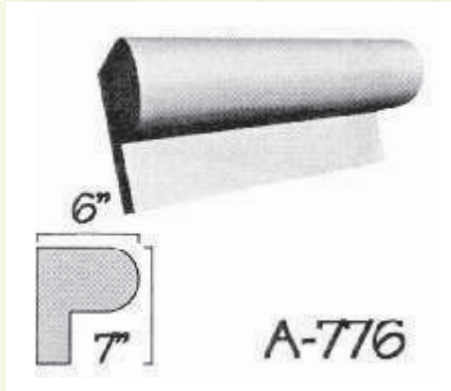
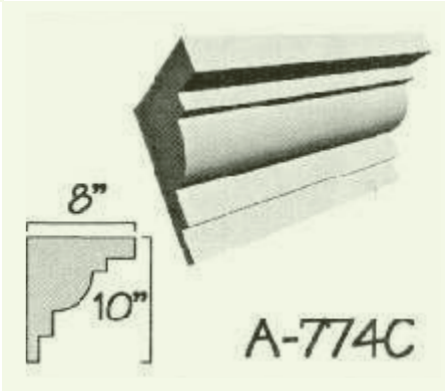
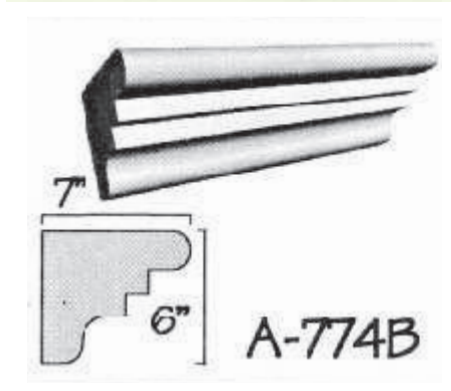
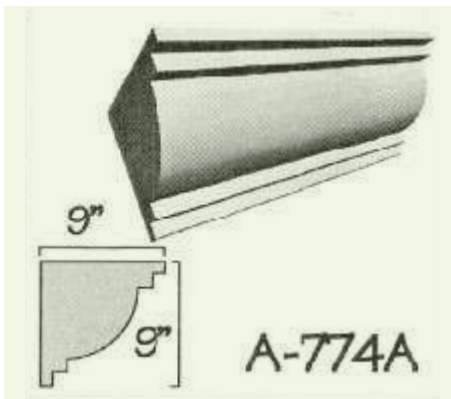
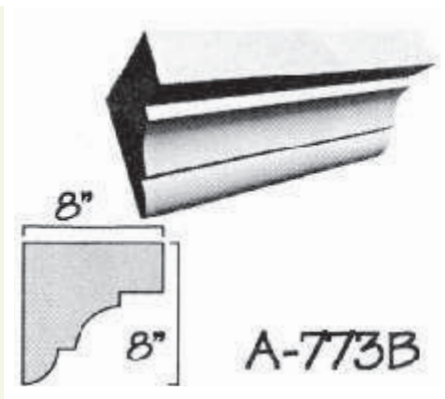
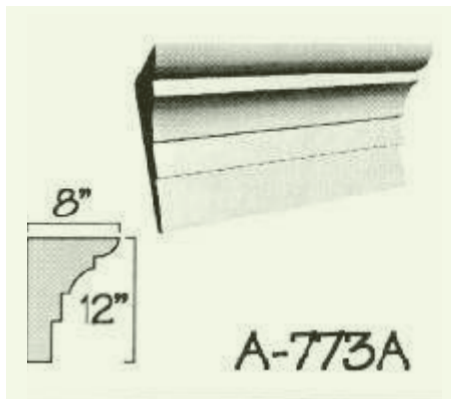


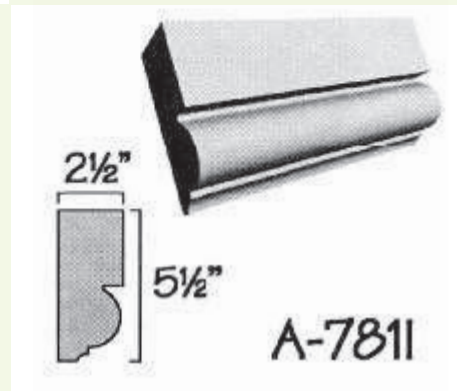
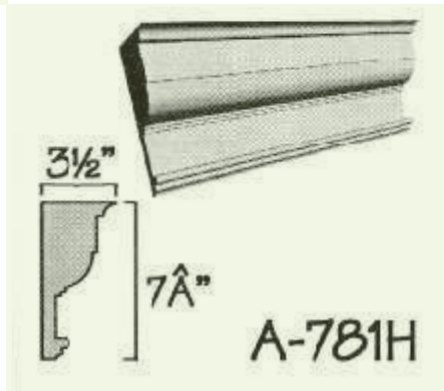
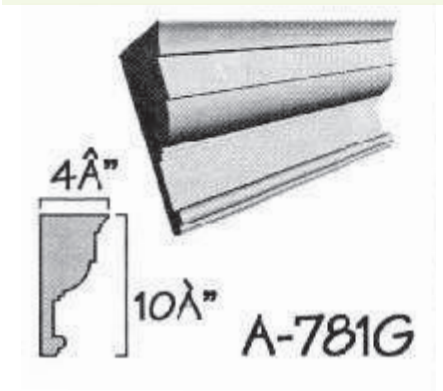
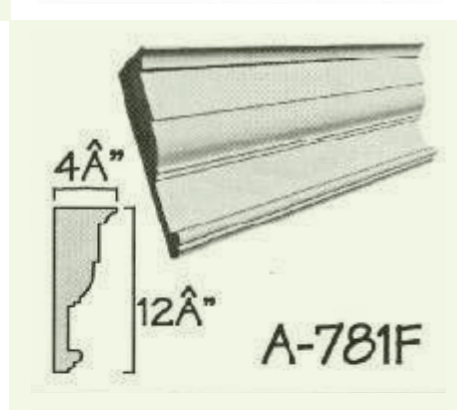
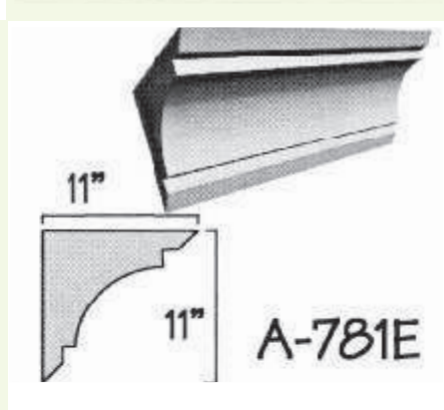
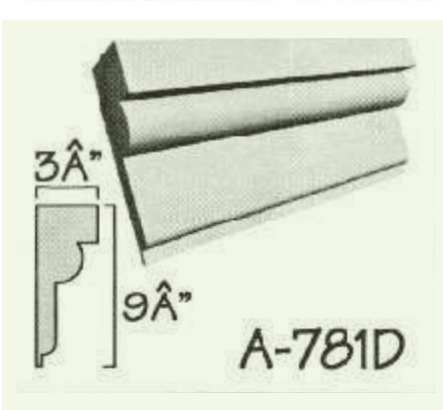
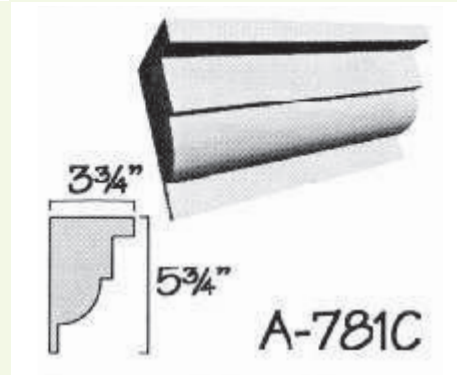
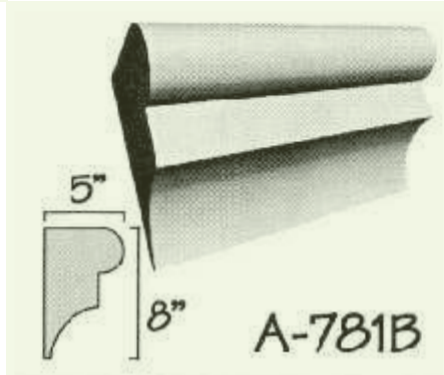
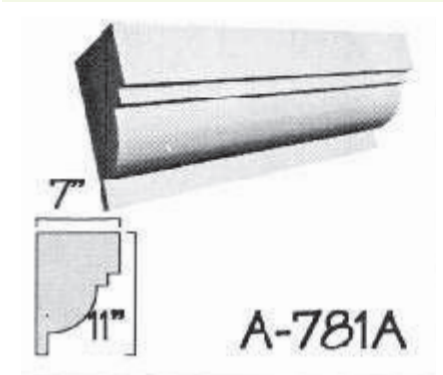
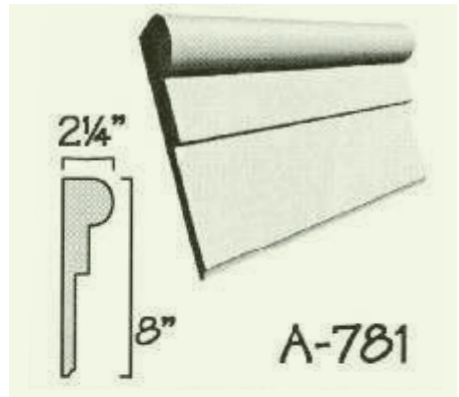
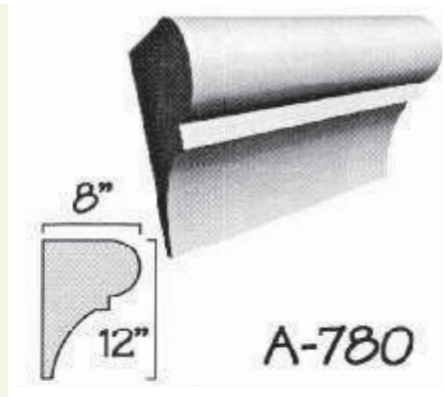
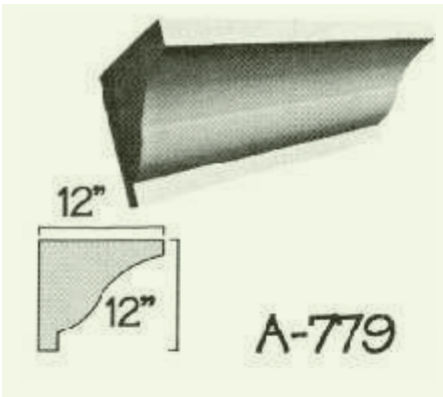


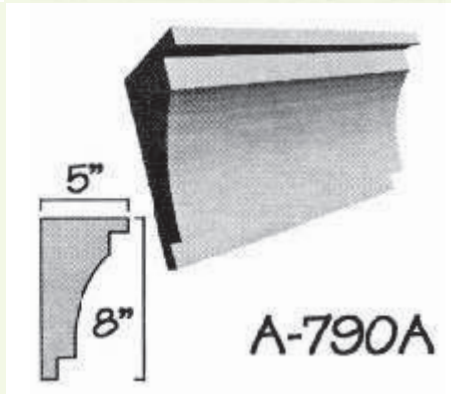
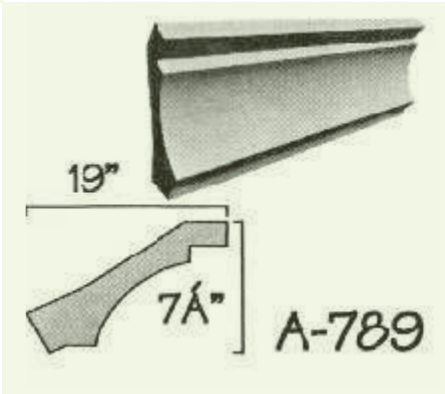
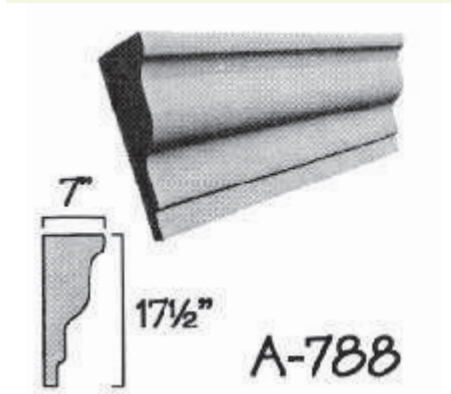
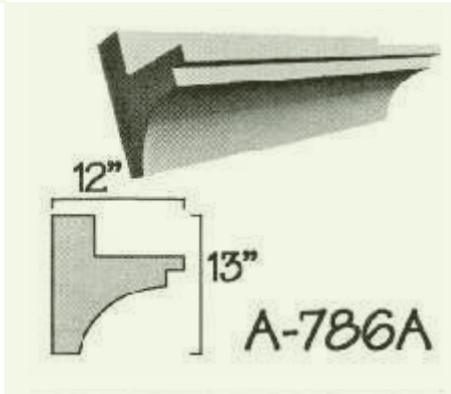
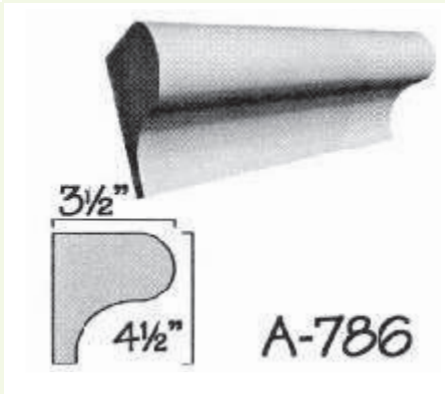
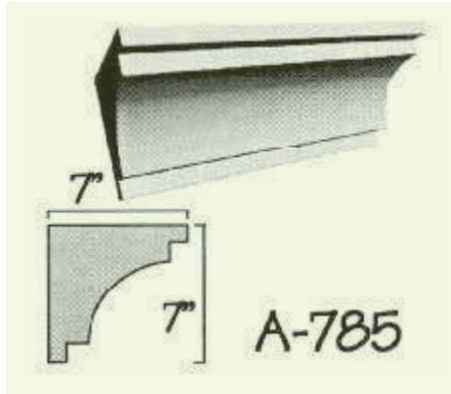
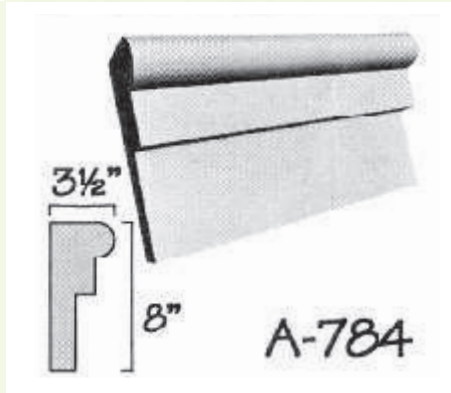
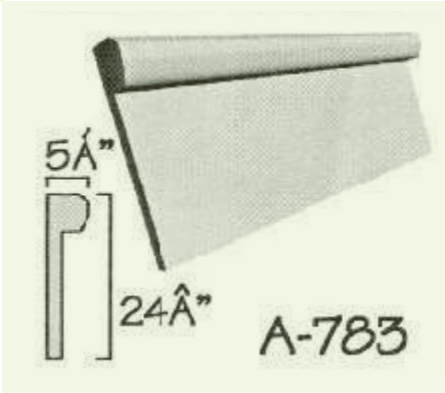
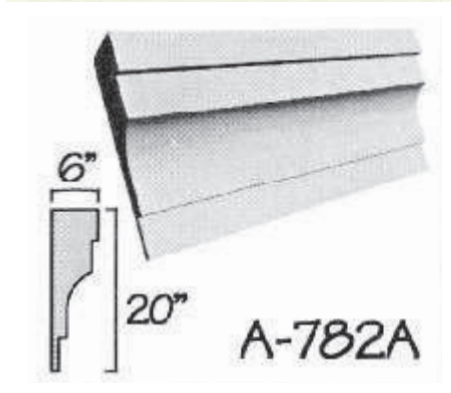
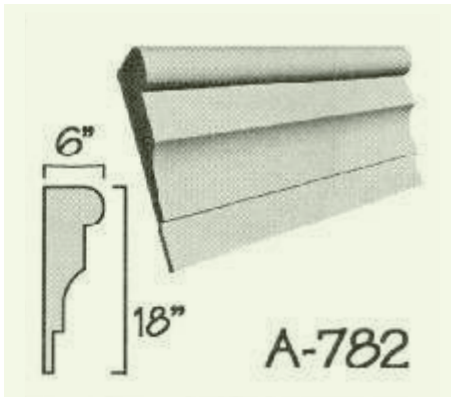
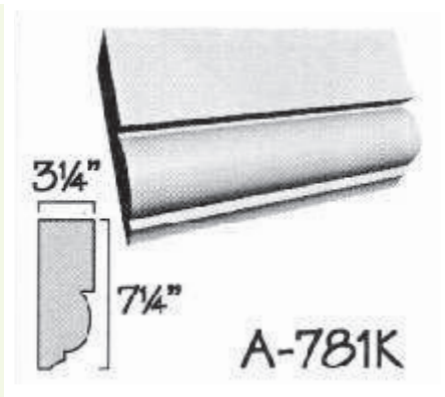
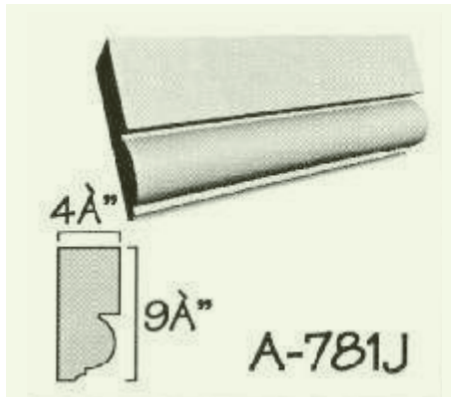


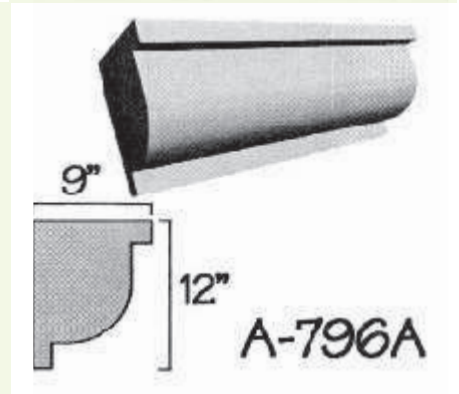
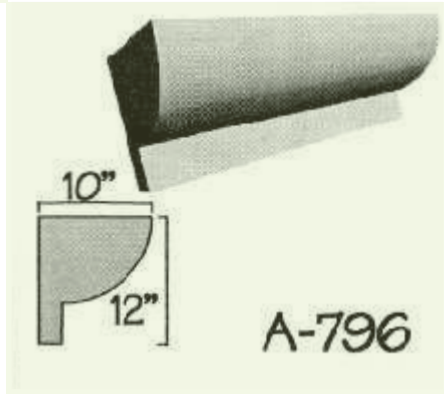
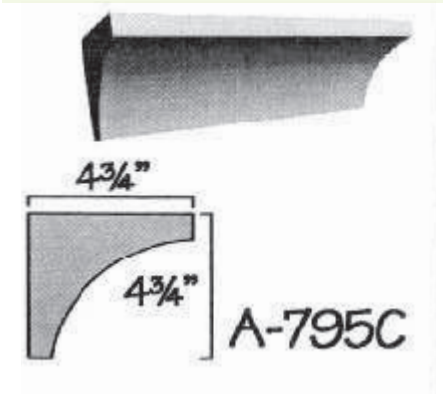
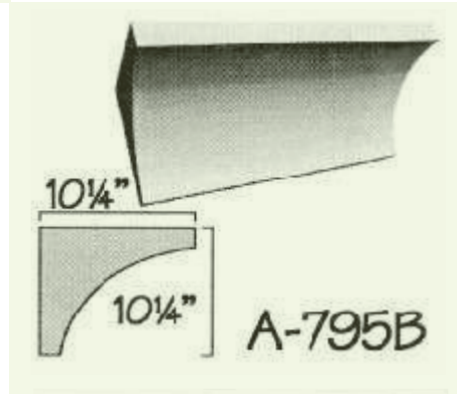
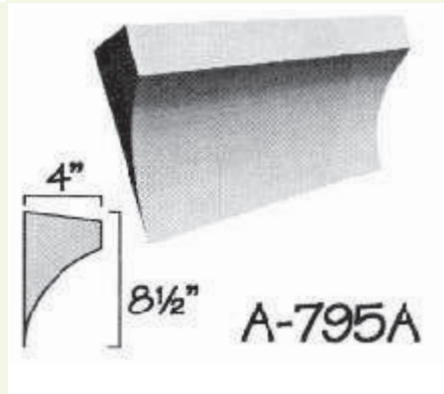
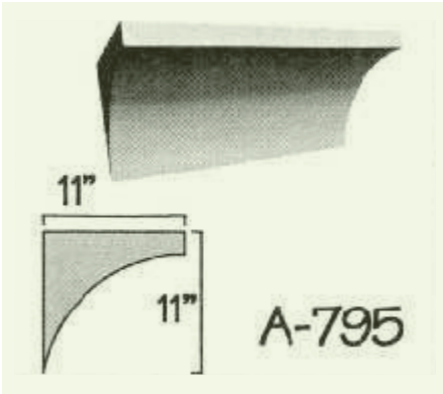
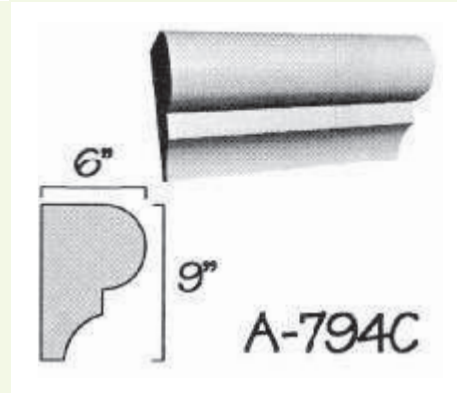
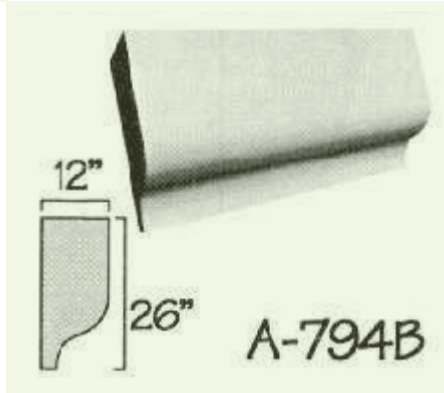
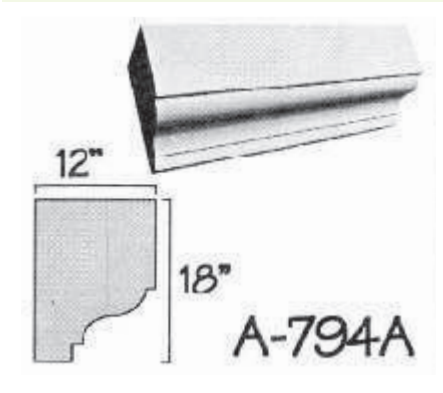
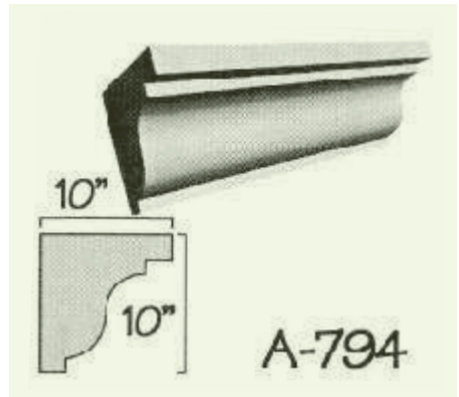
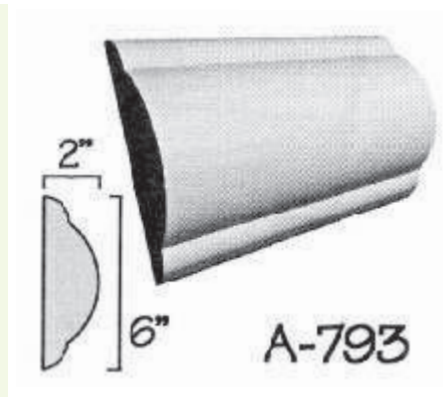
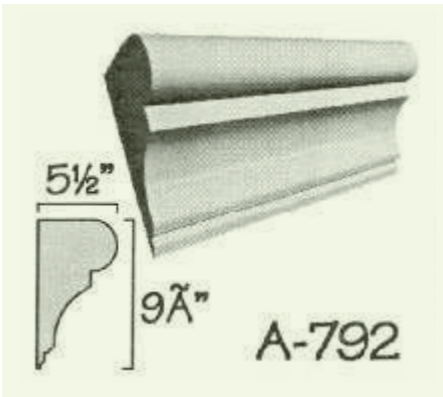


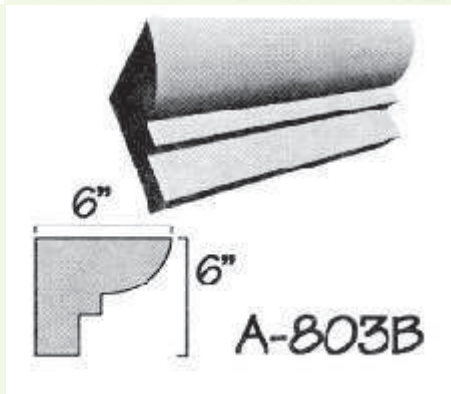
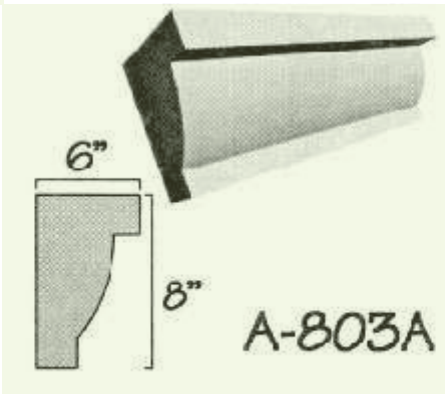
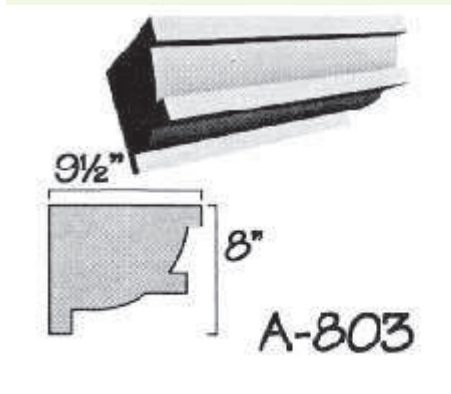
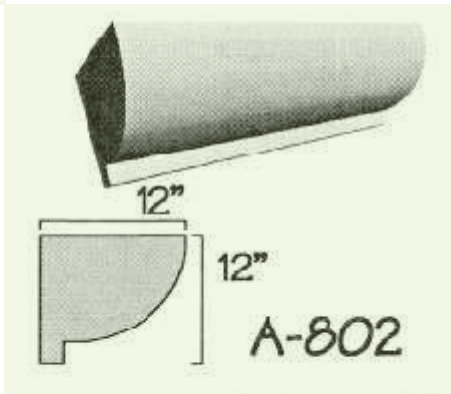
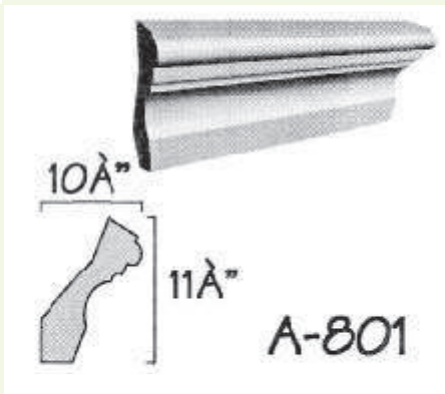
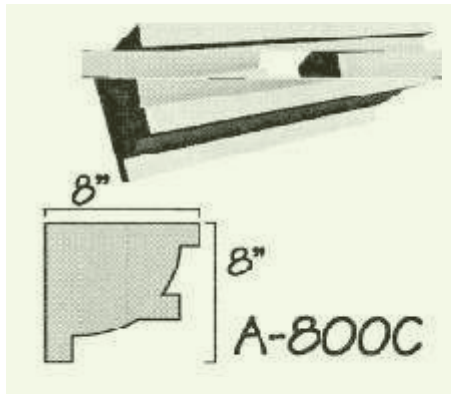
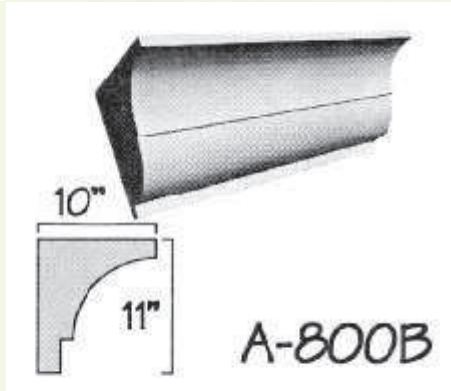
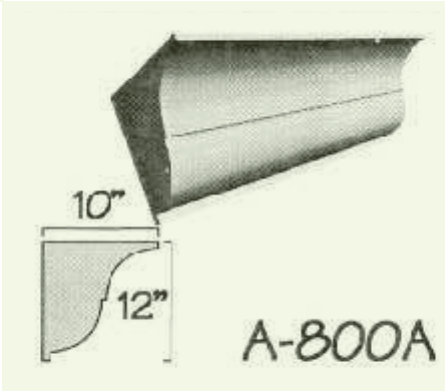
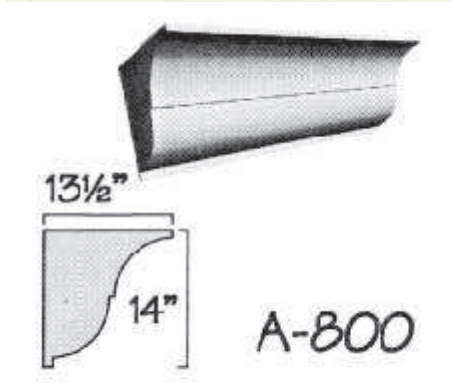
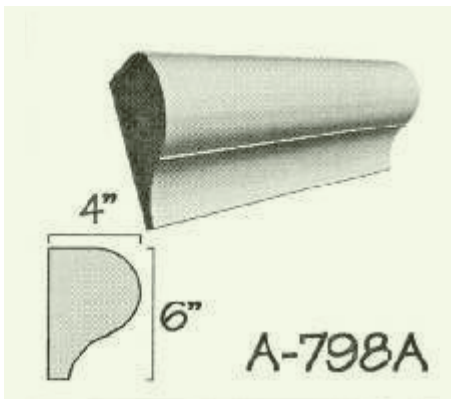
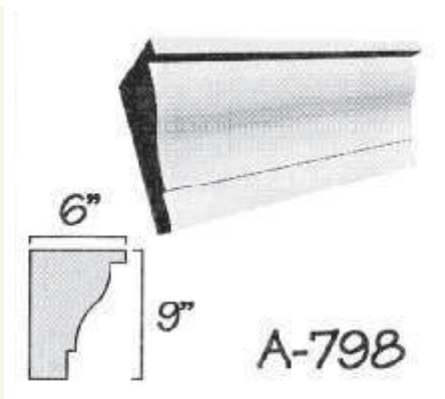
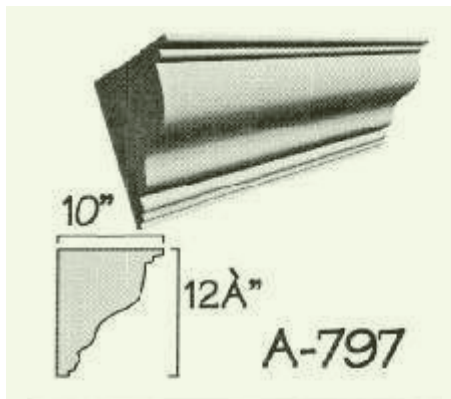


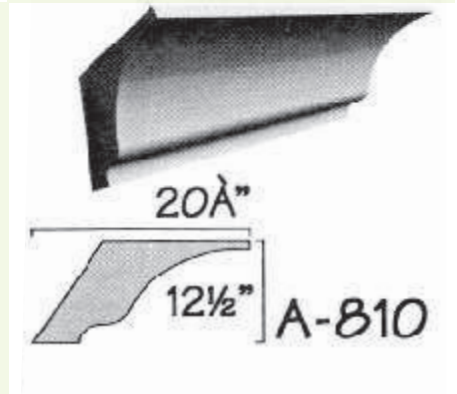
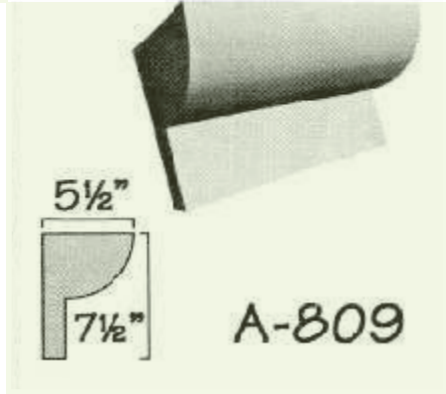
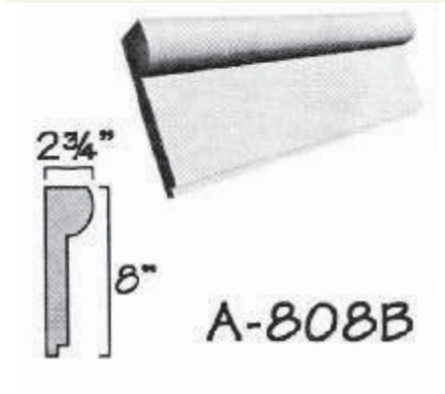
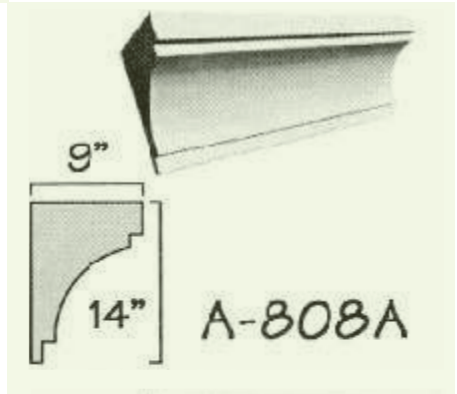
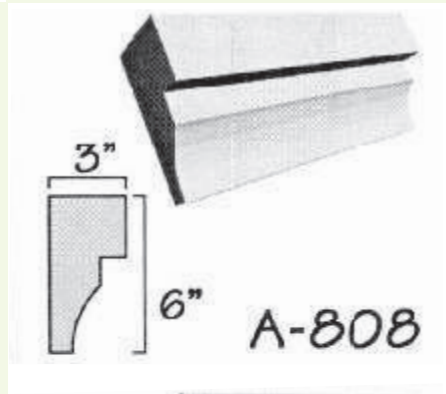
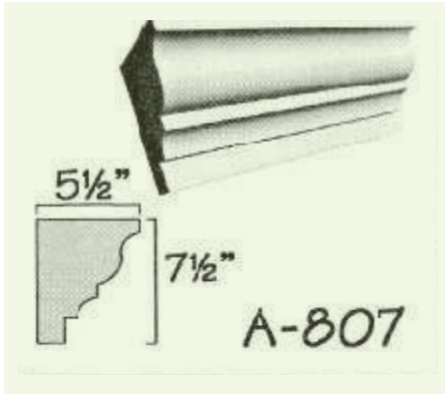
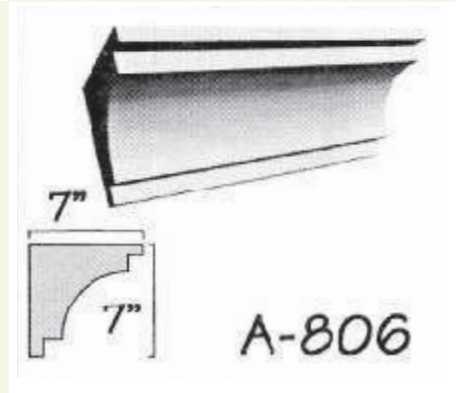
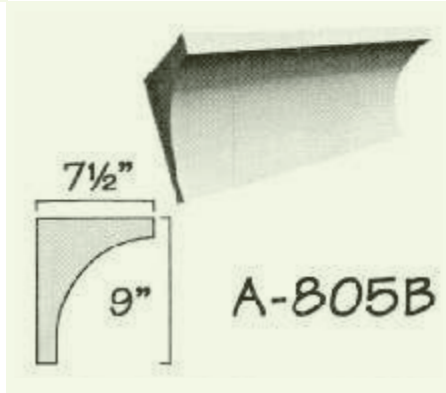
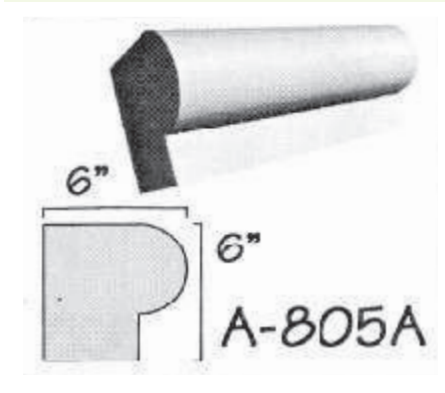
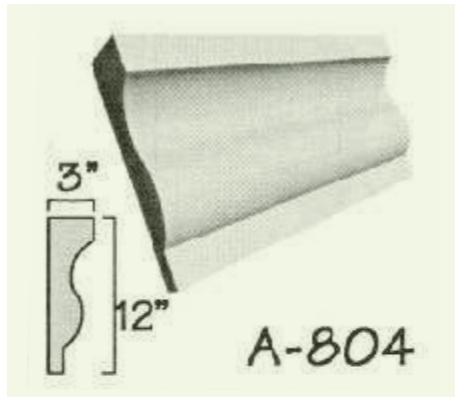
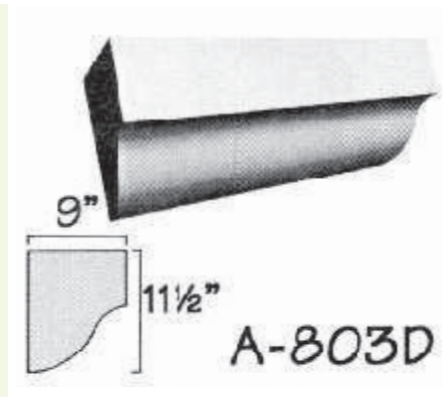
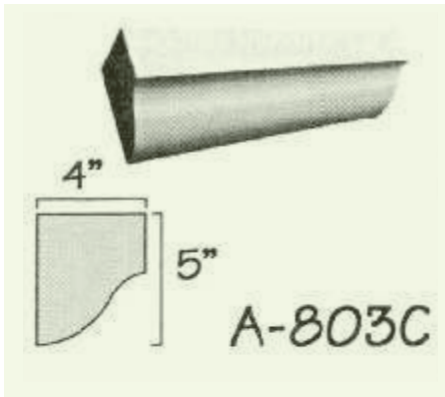


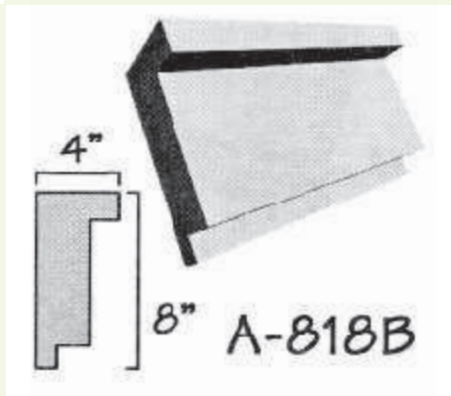
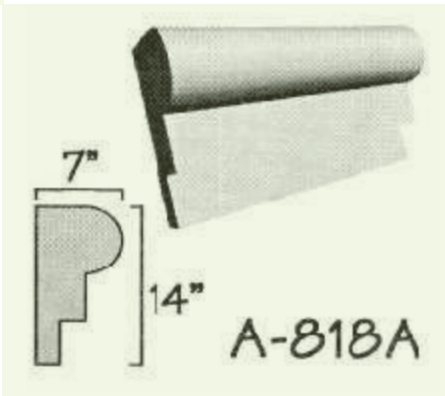
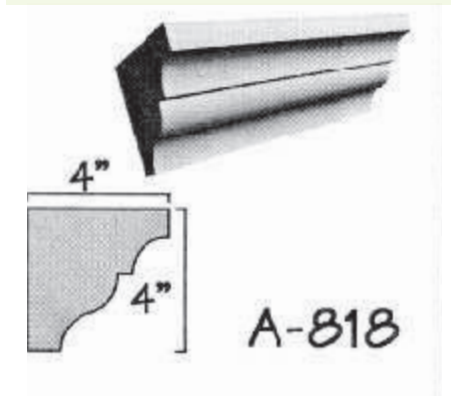
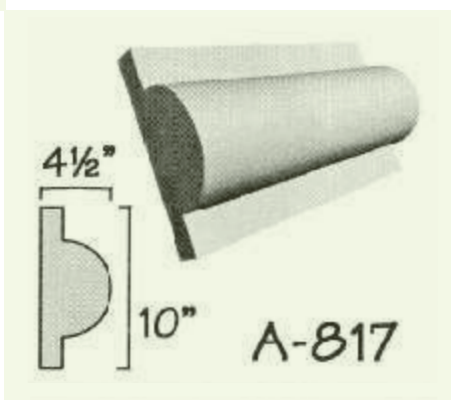
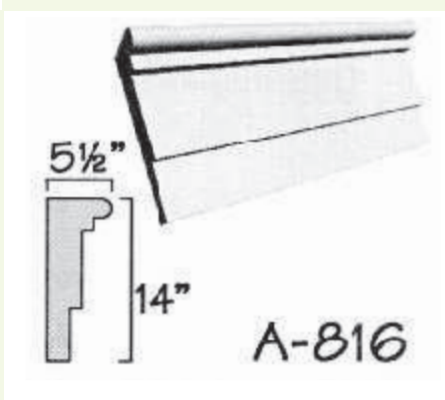
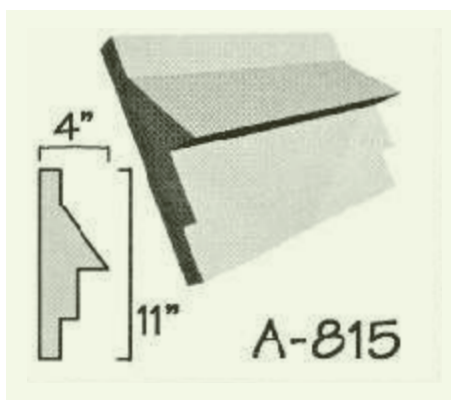
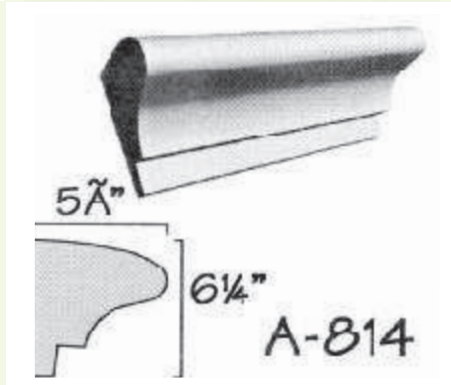
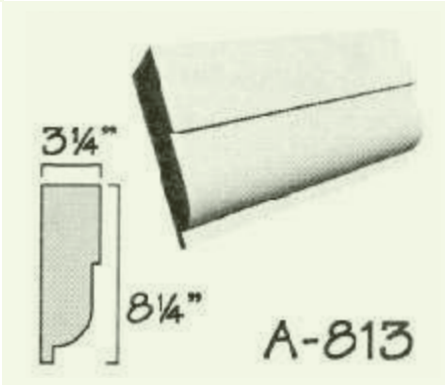
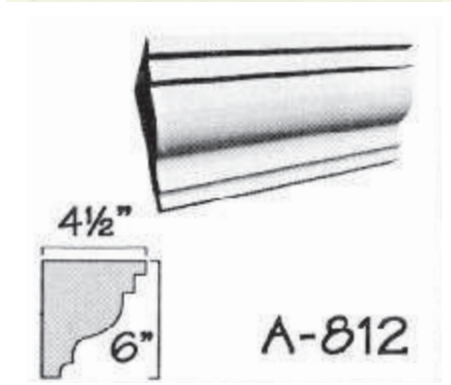
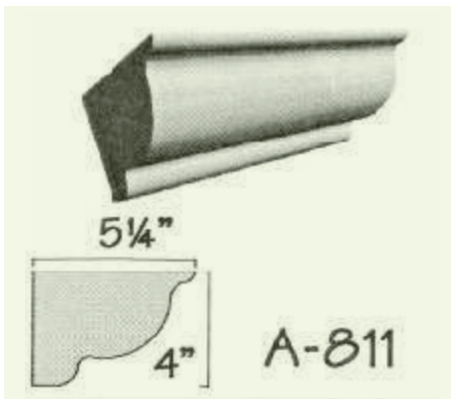
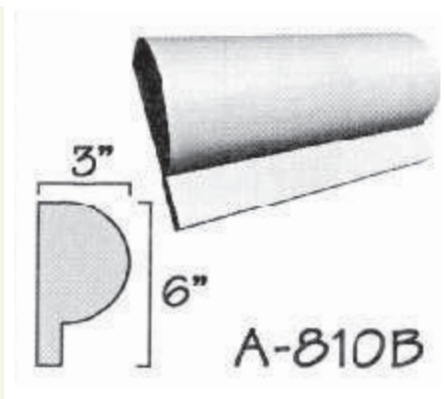
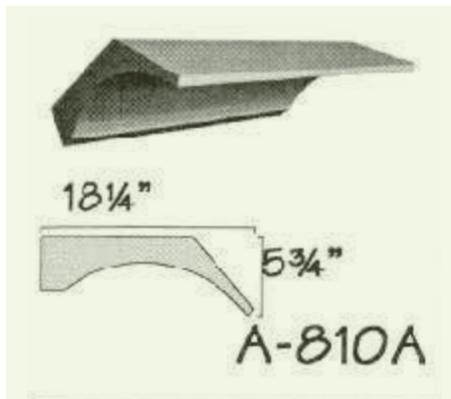


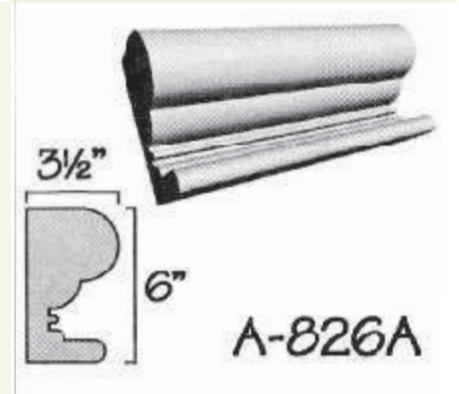
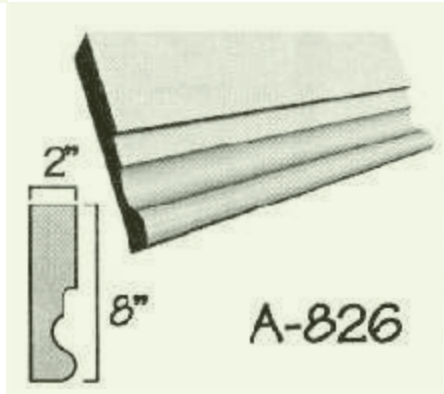
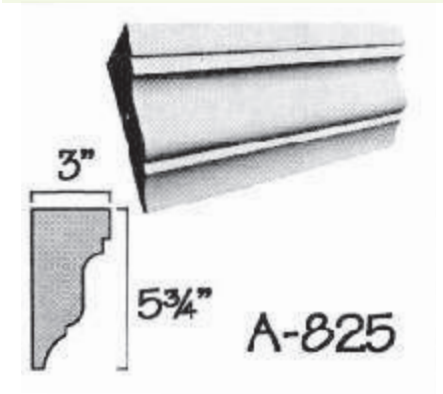
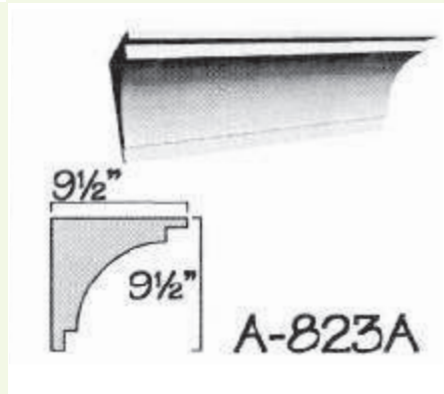
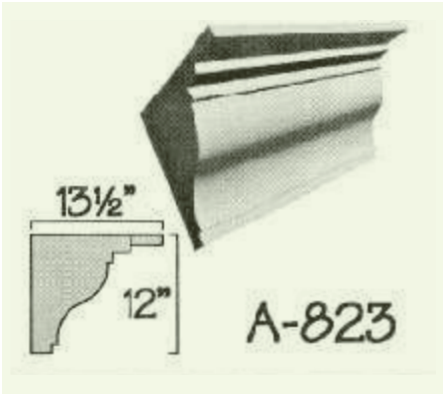
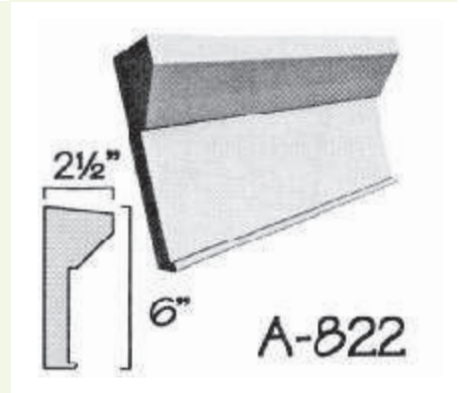
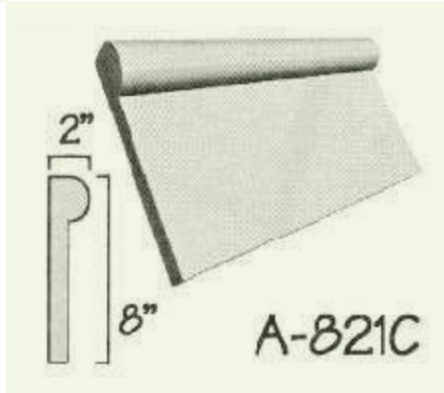
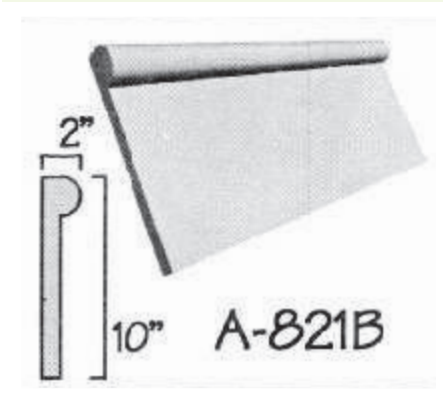
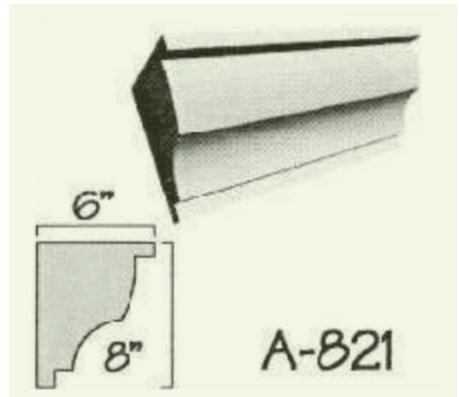
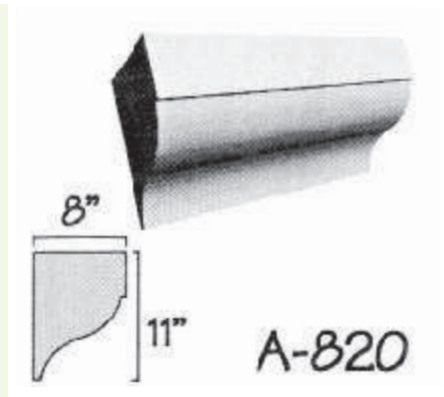
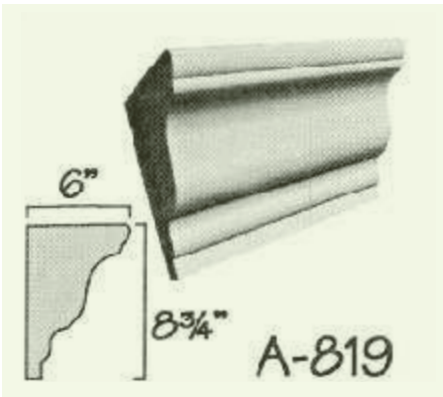


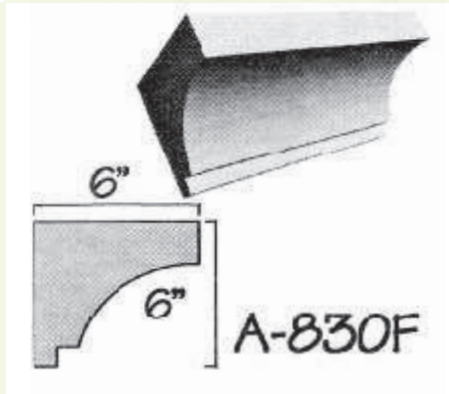
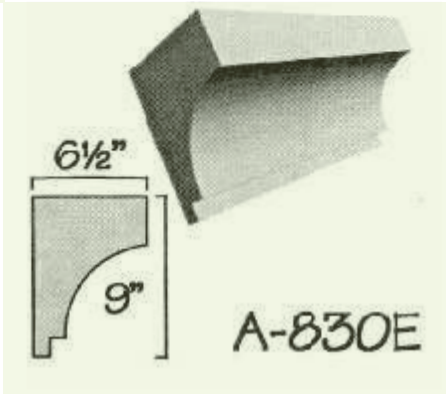
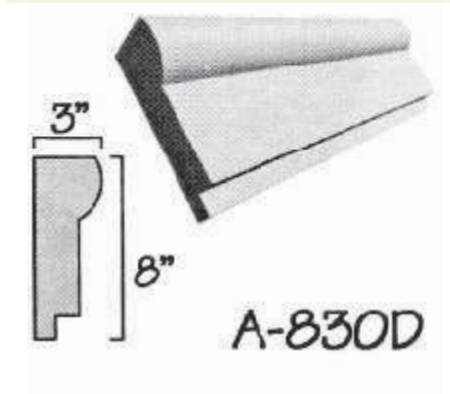
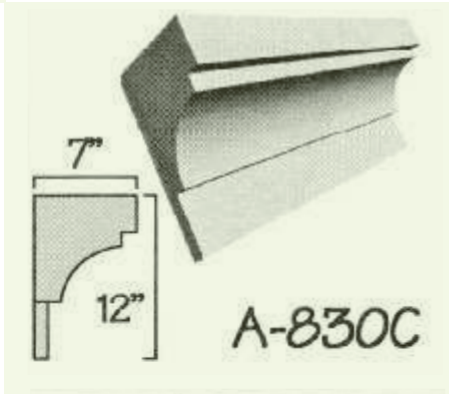
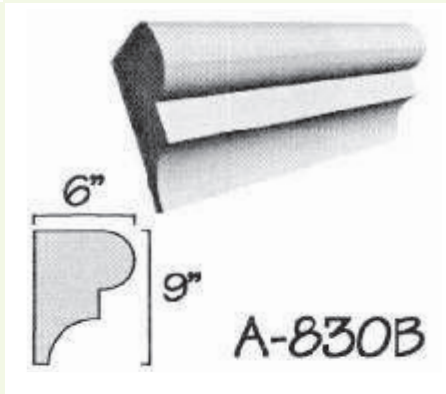
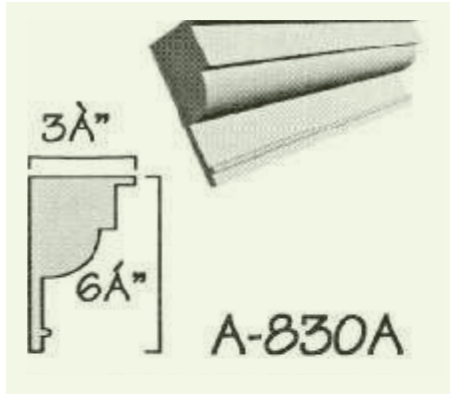
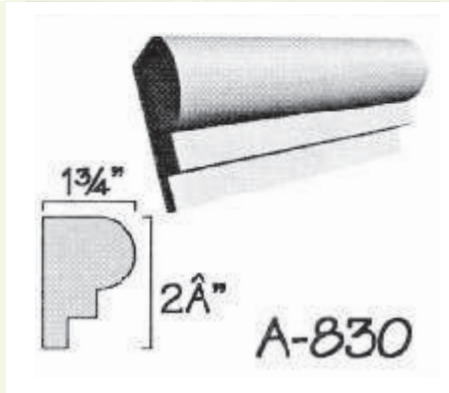
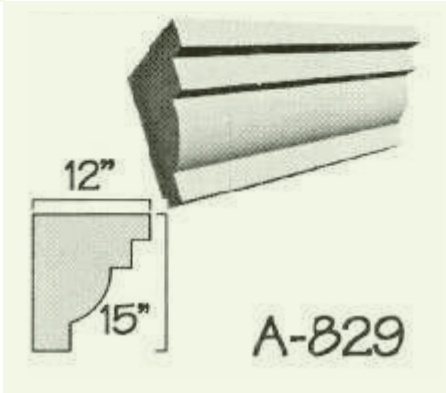
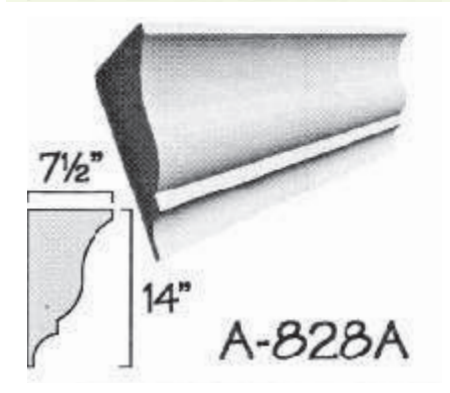
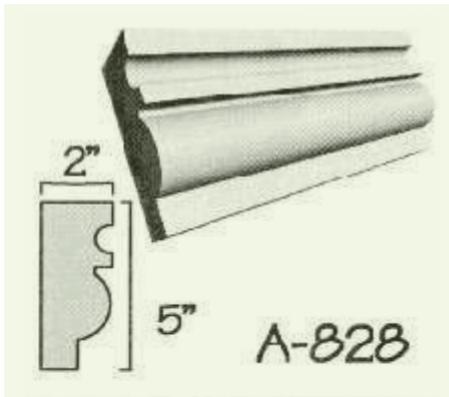
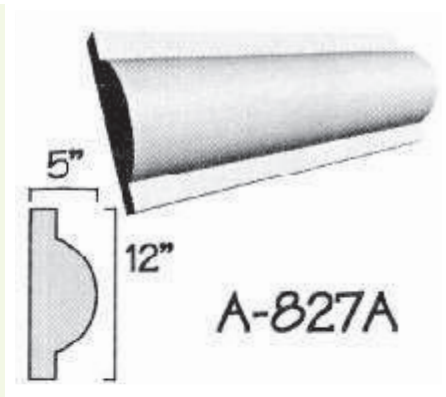
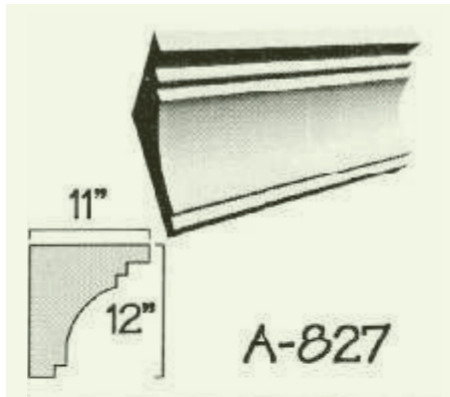


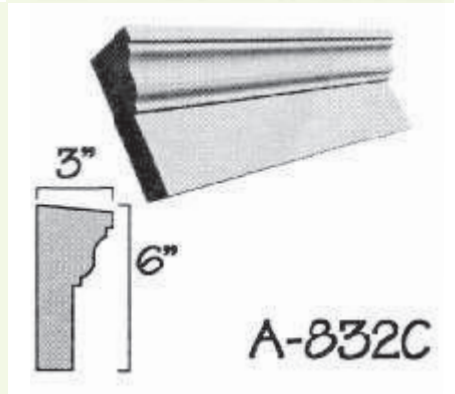
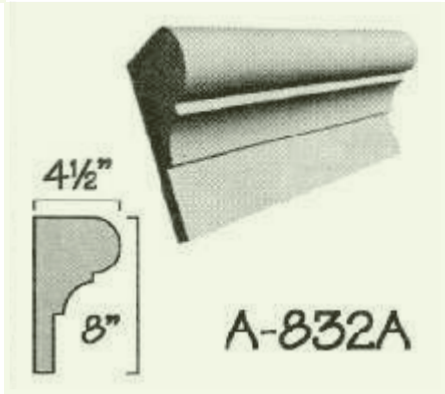
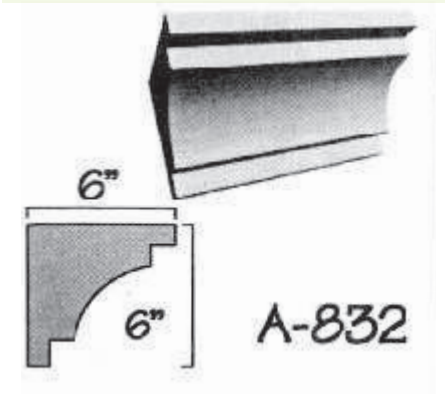
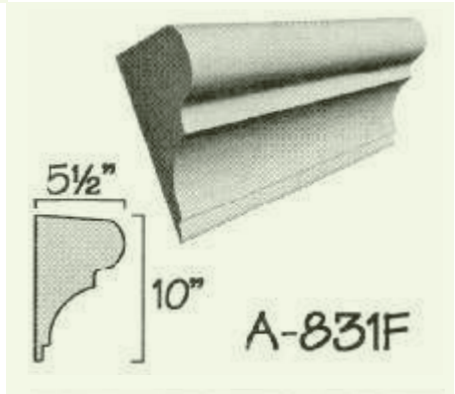
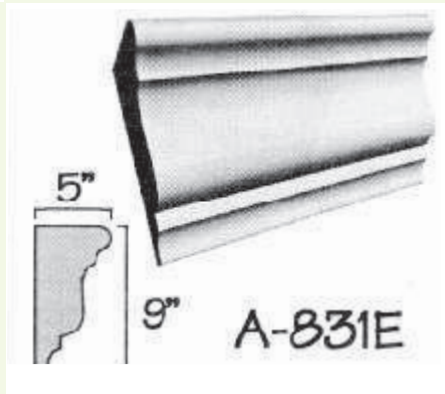
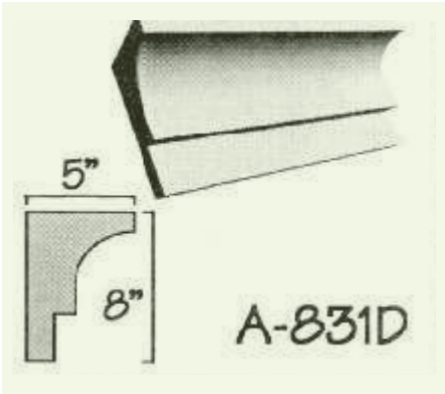
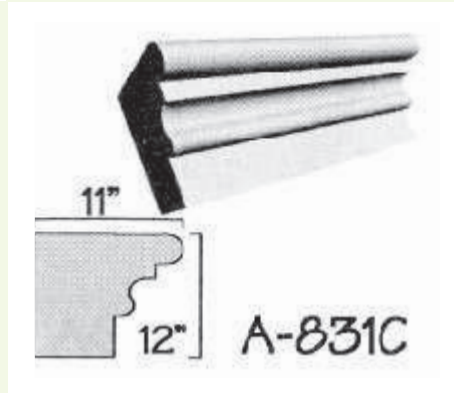
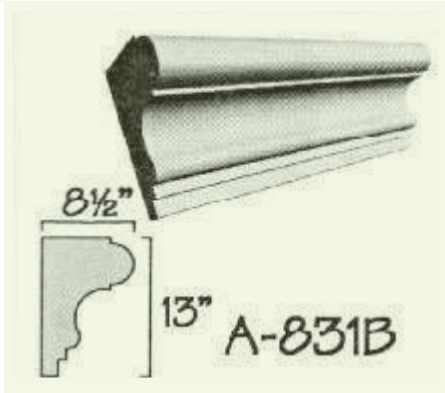
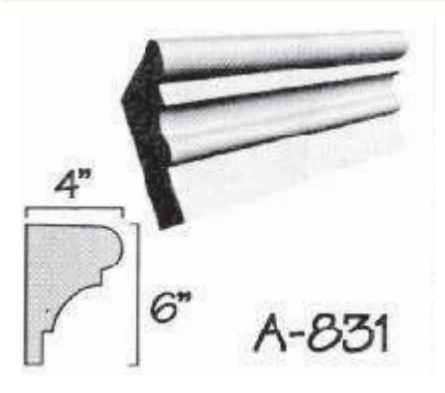
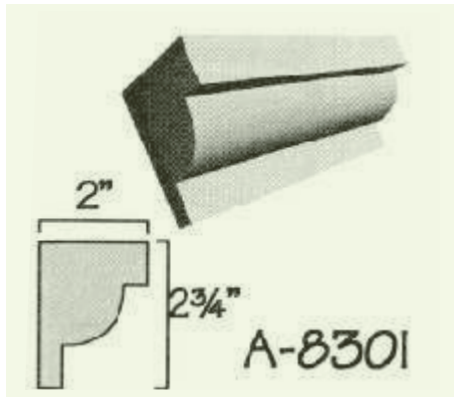
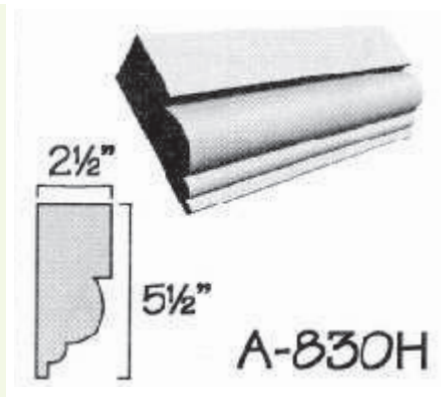
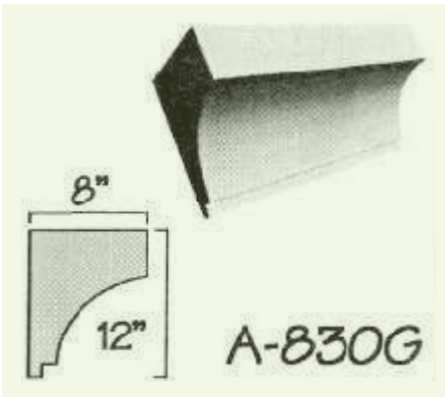


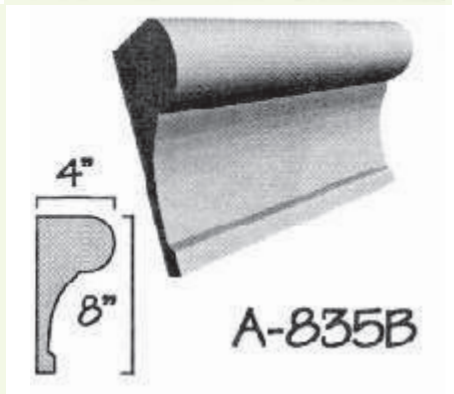
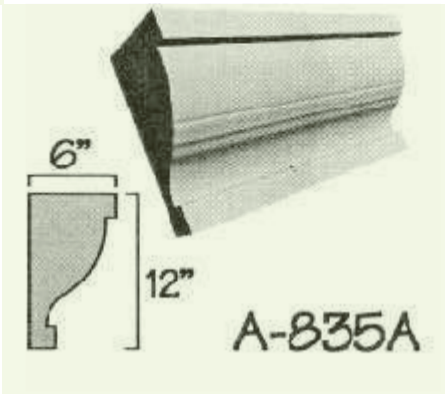
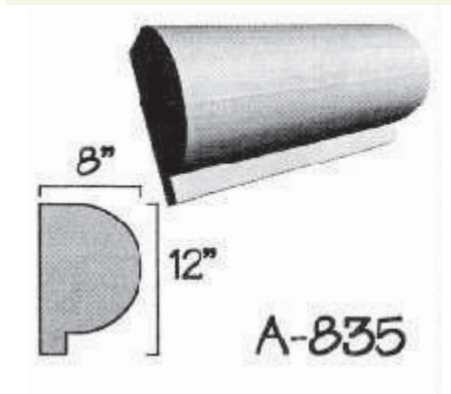
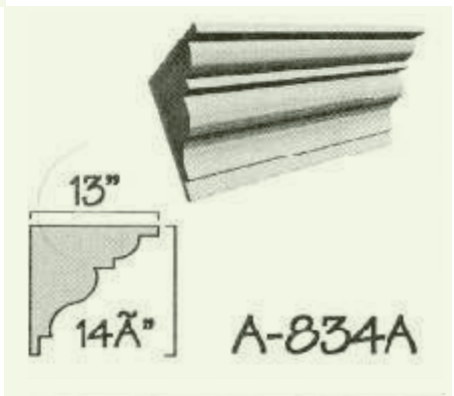
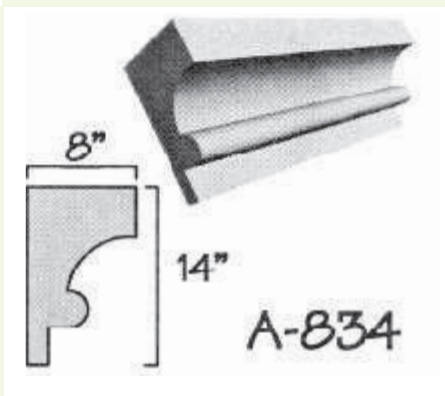
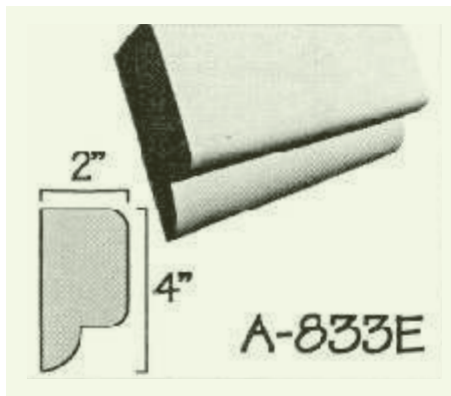
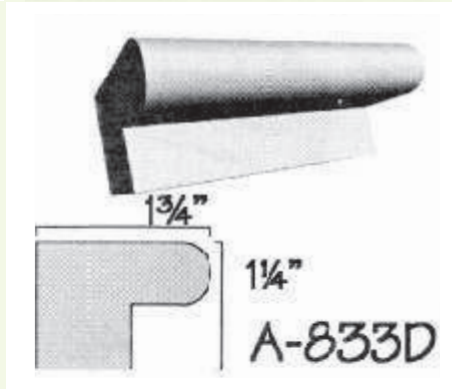
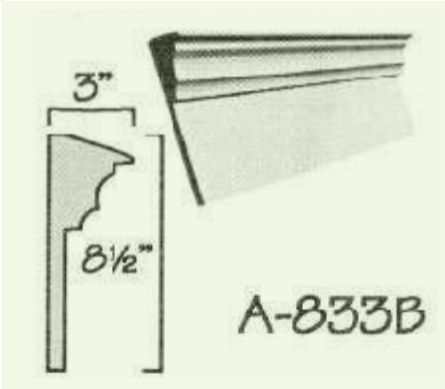
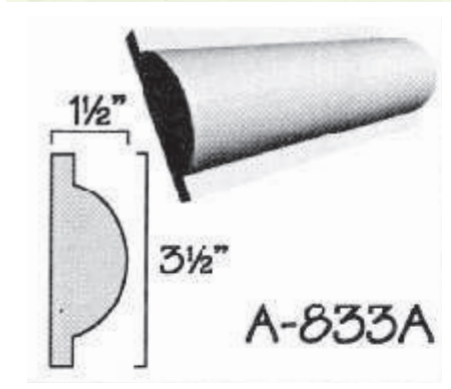
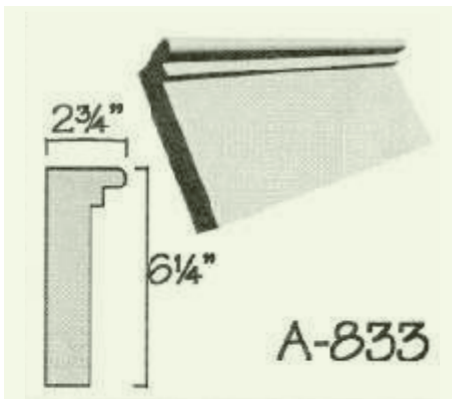
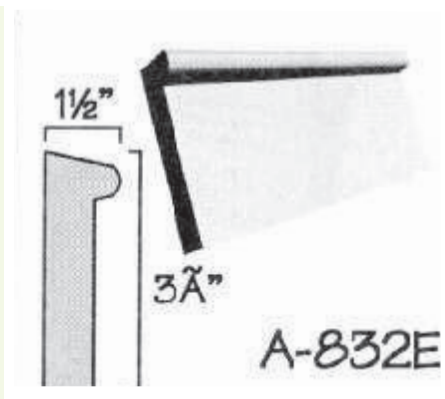
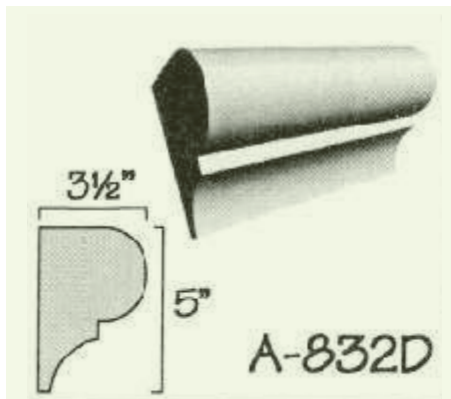


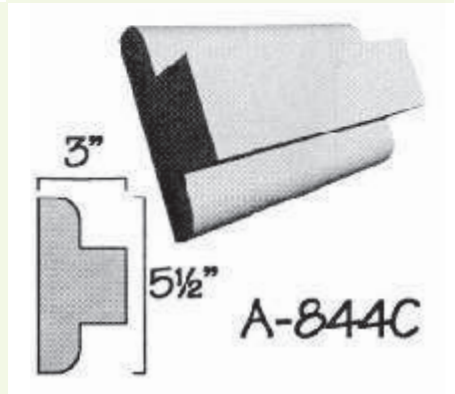
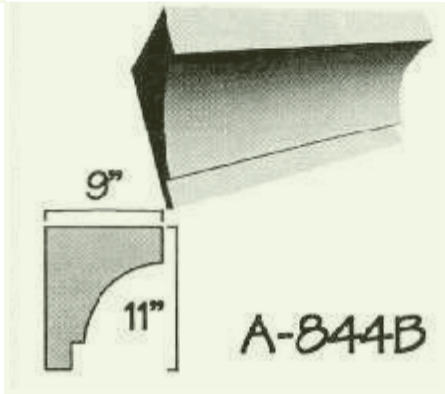
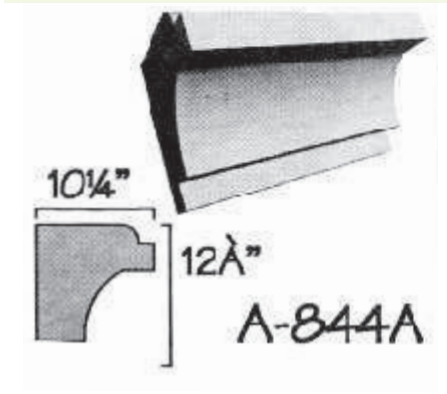
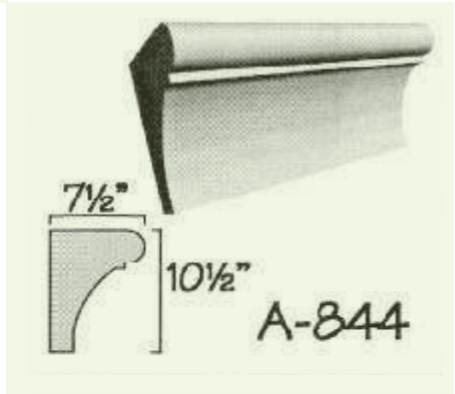
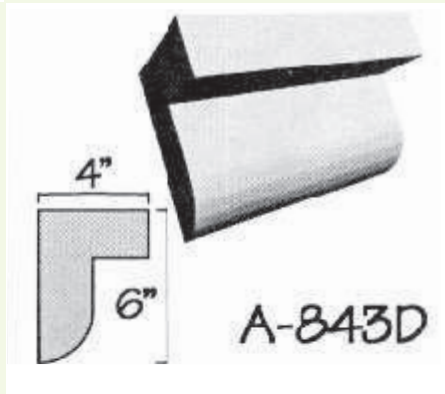
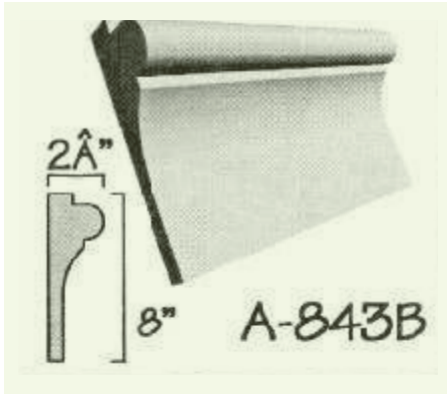
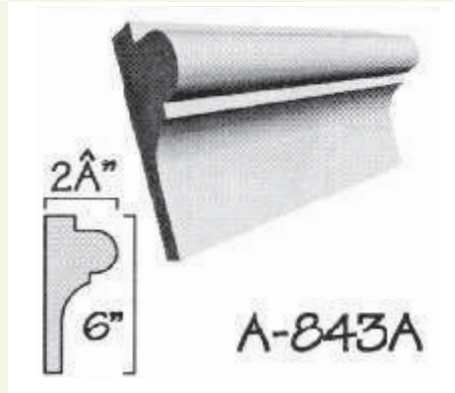
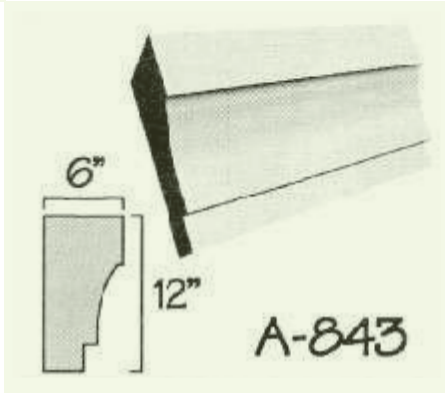
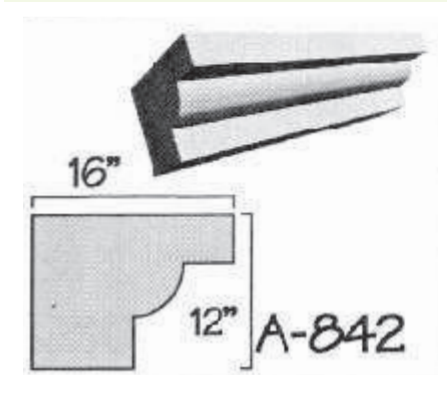
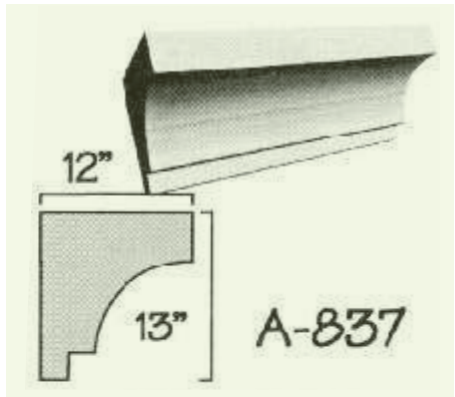
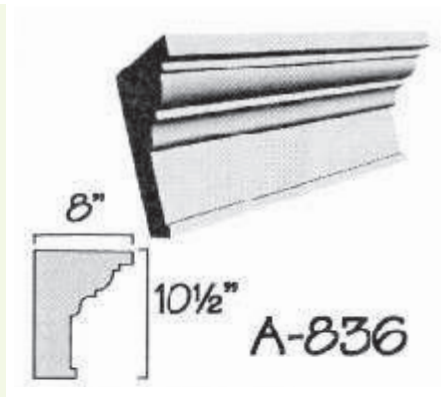
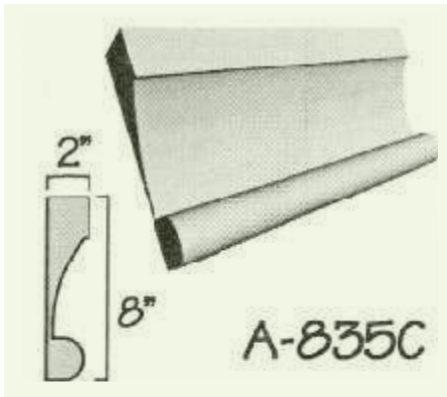


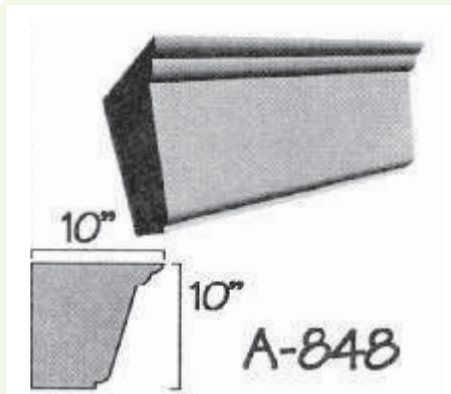
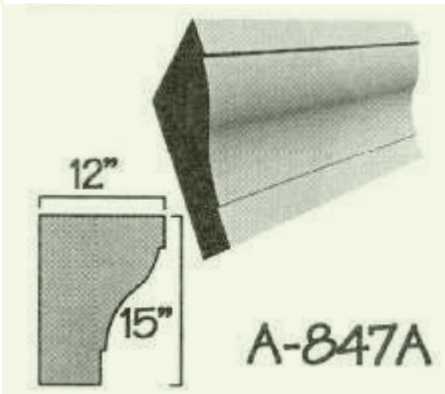
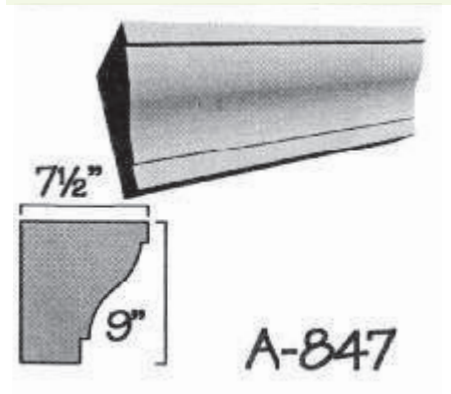
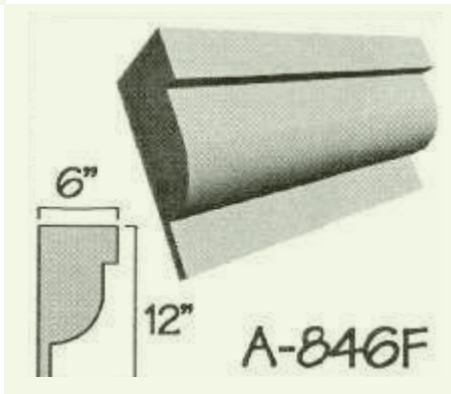
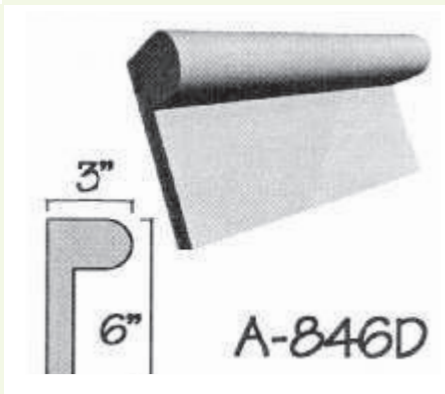
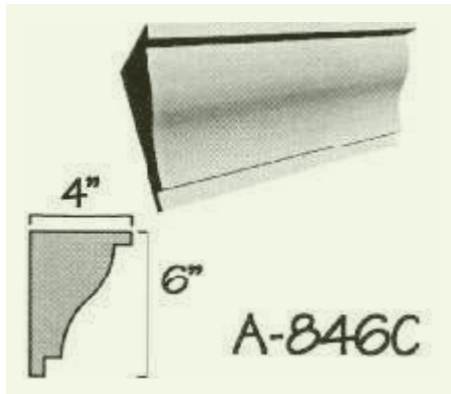
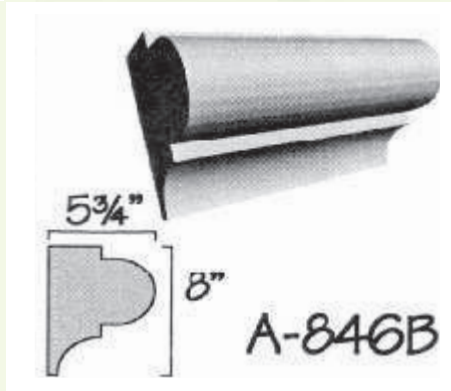
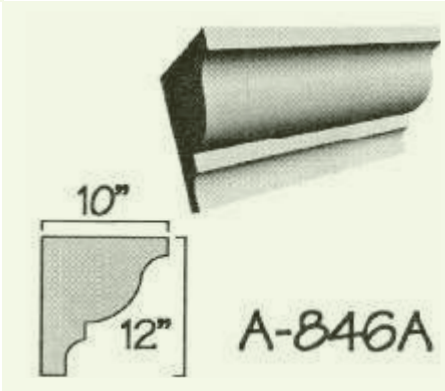
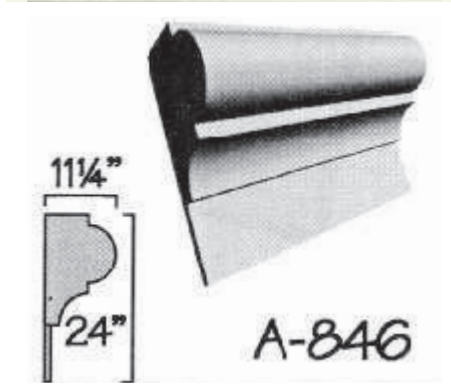
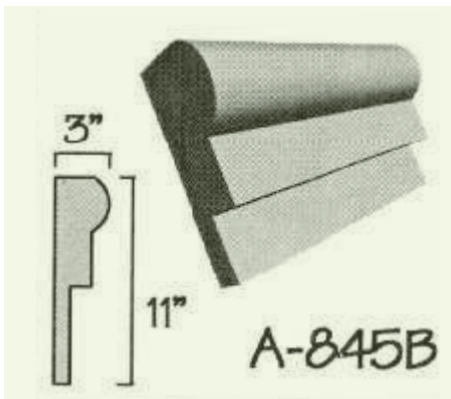
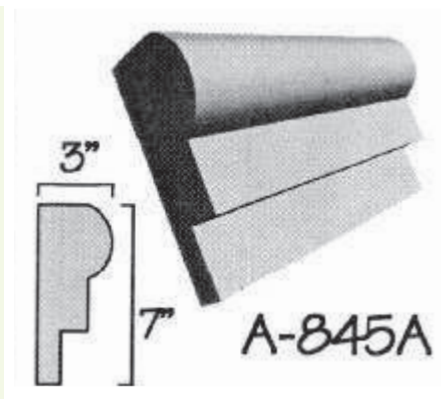
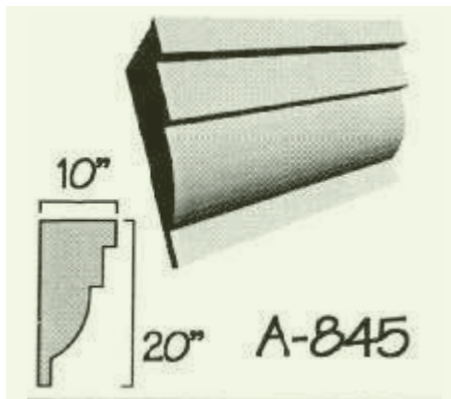


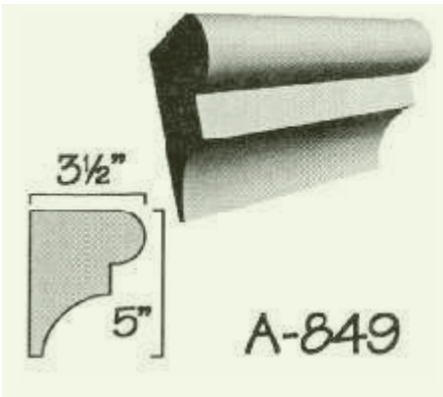




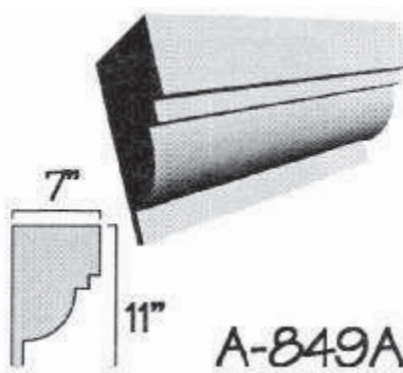




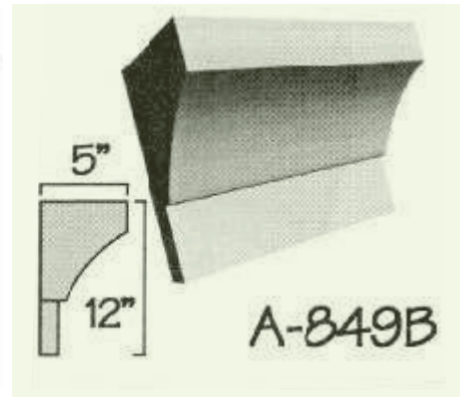




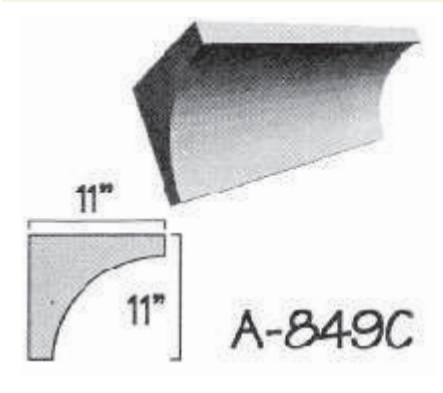
A-849



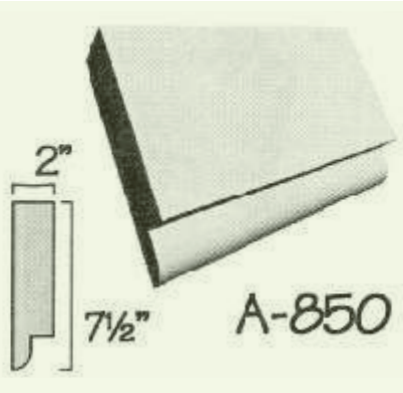
A-849A



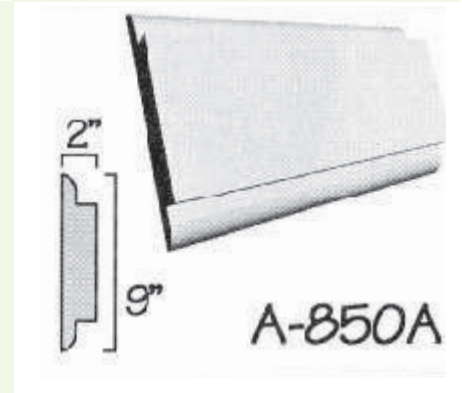
A-849B



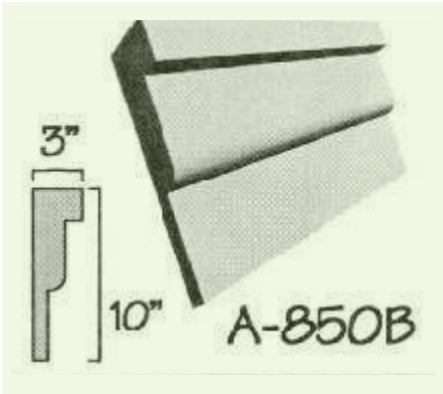
A-849C



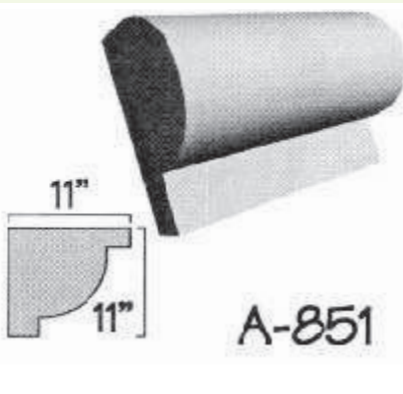
A-850



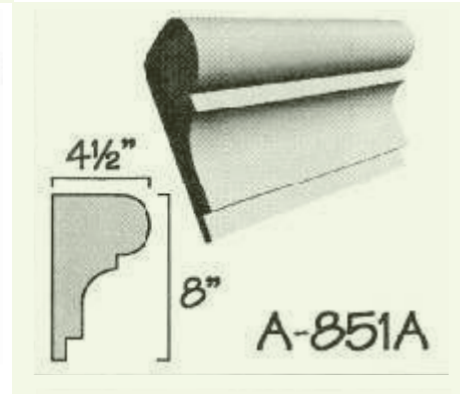
A-850A



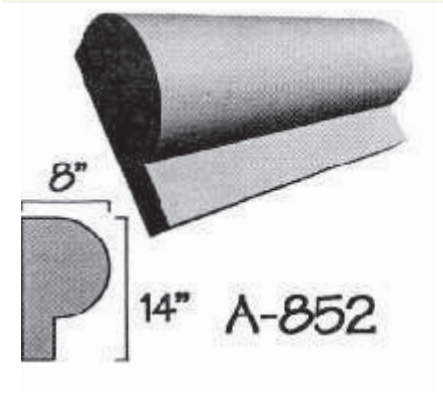
A-850B



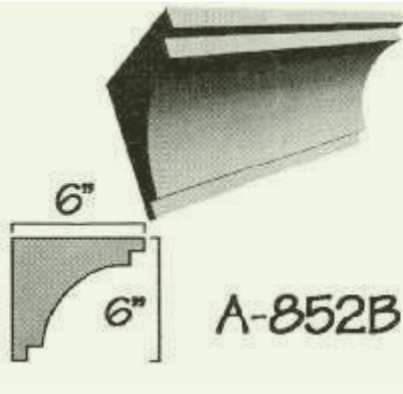
A-851



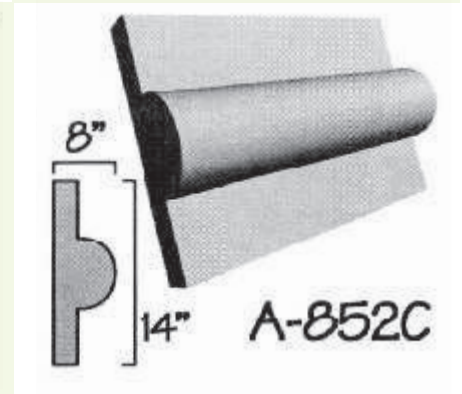
A-851A



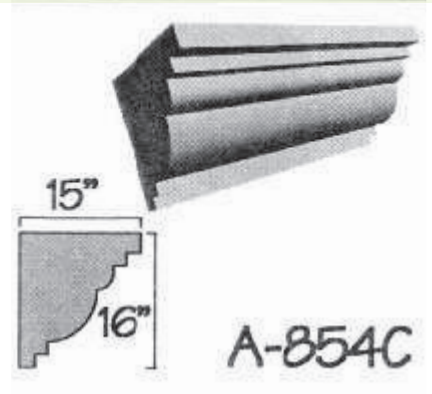
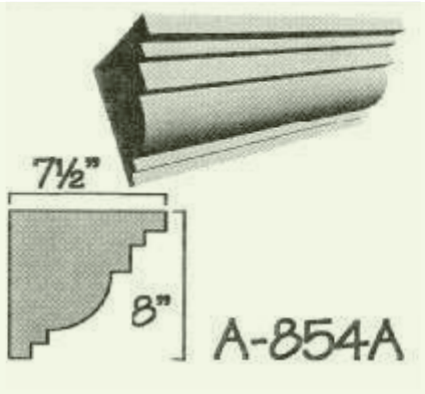
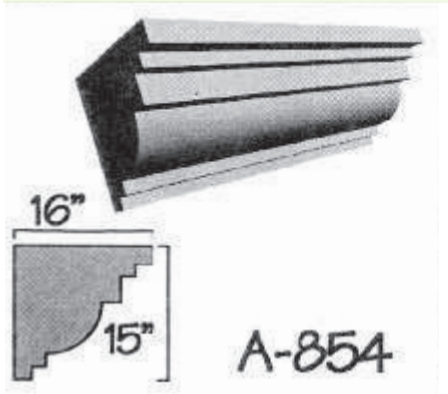
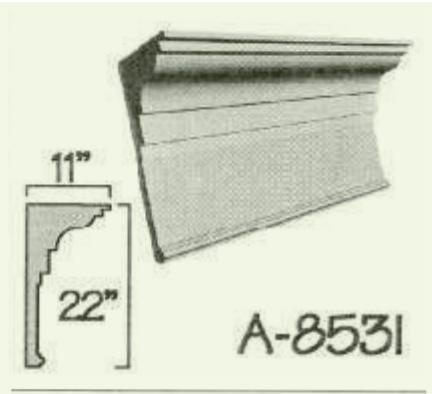
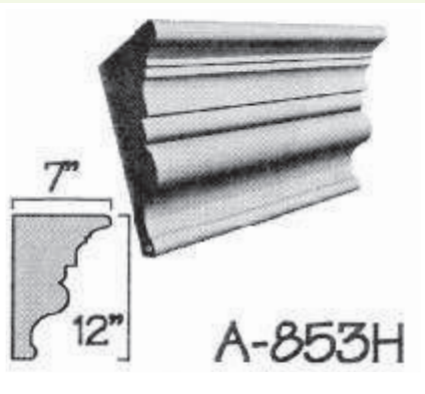
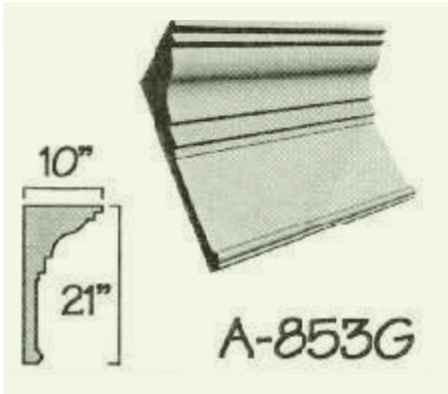
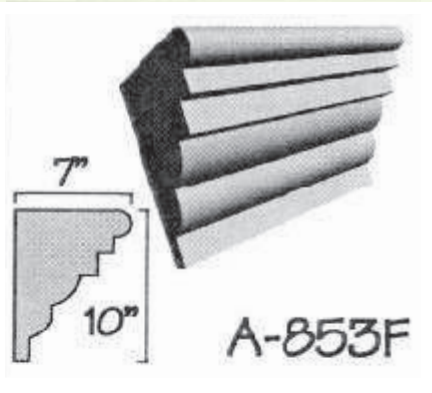
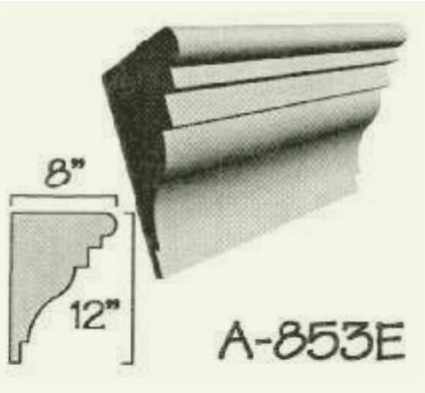
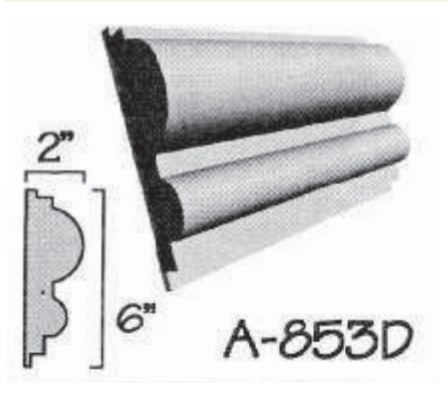
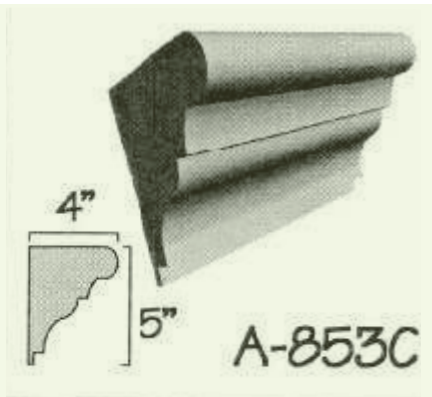
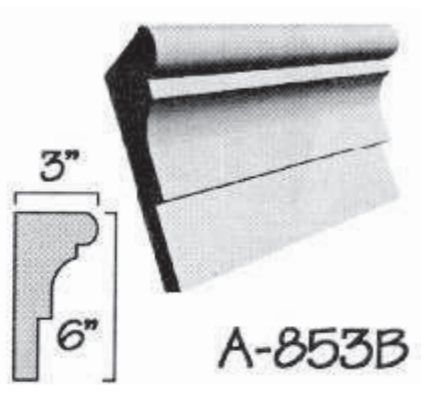
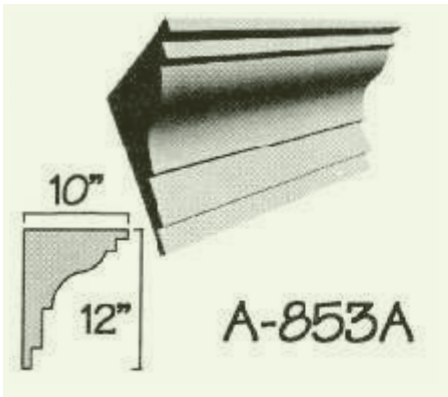
A-852

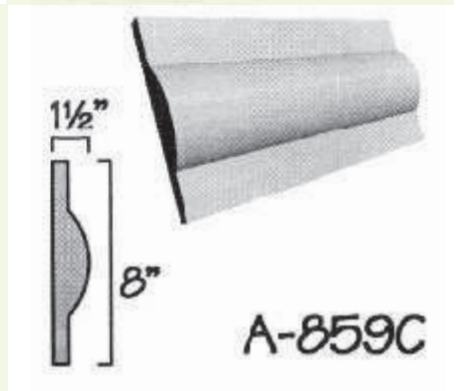
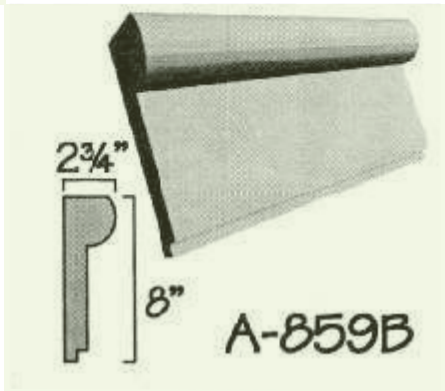
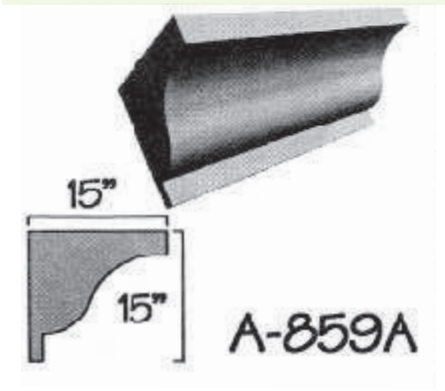
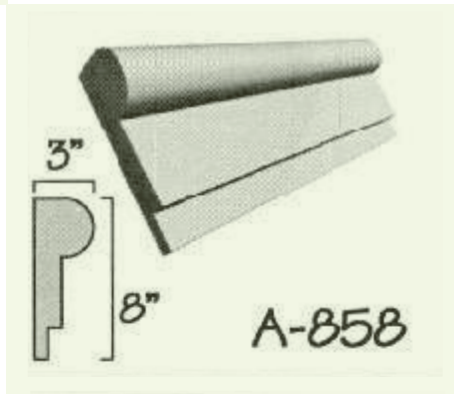
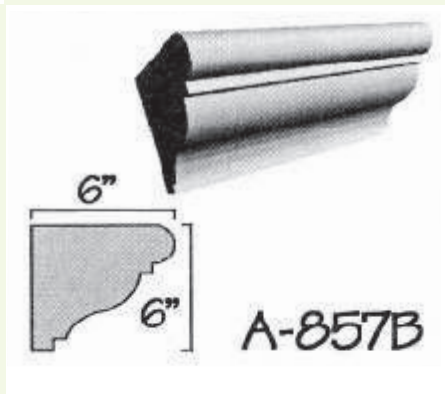
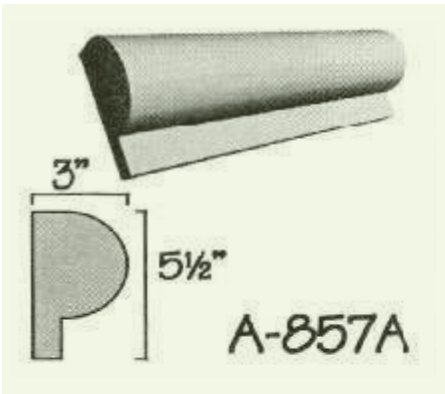
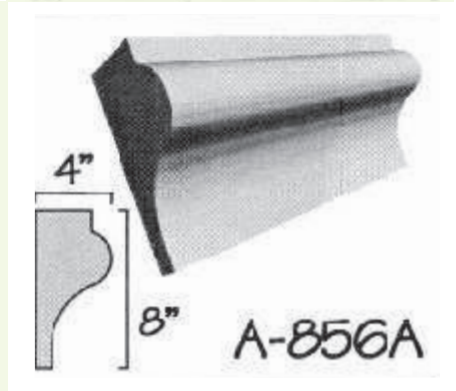
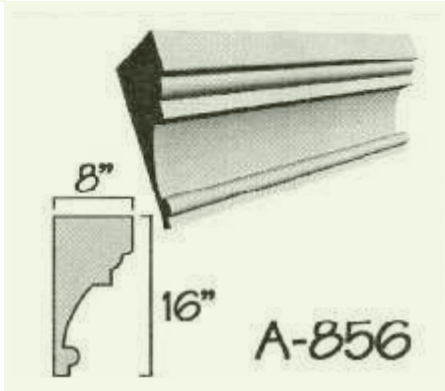
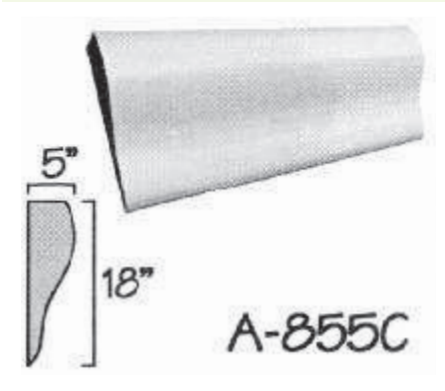
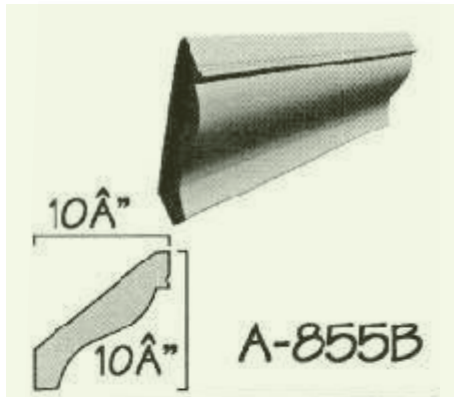
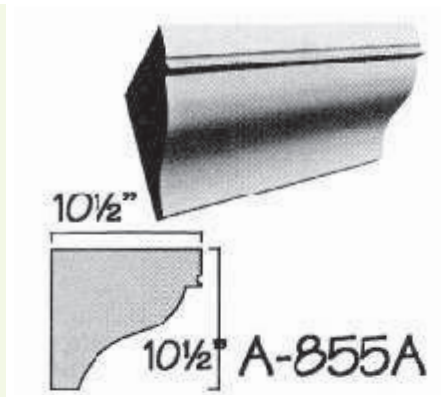
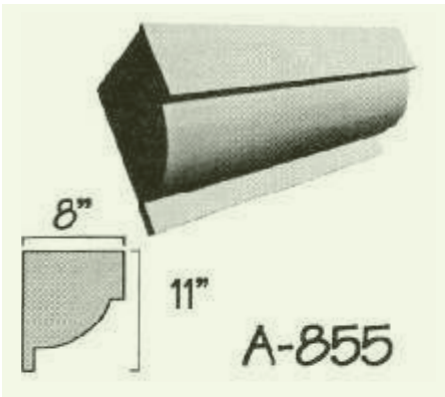


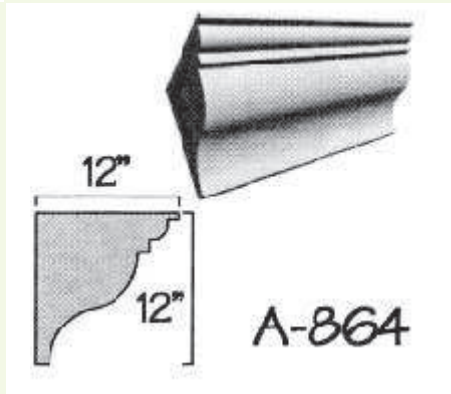
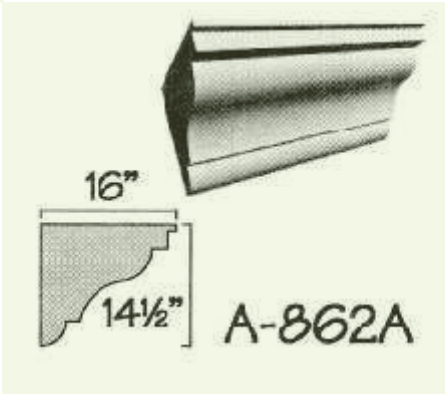
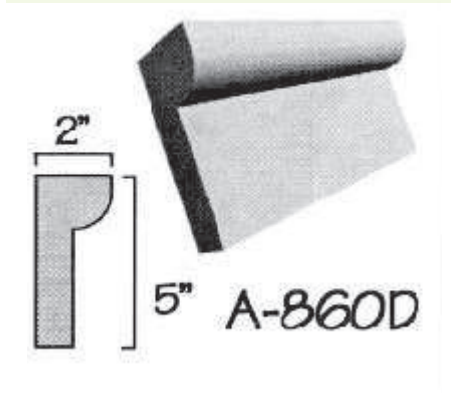
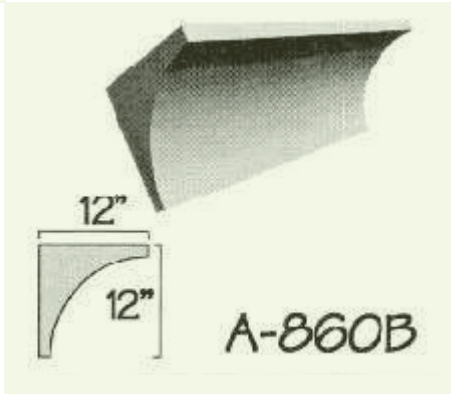
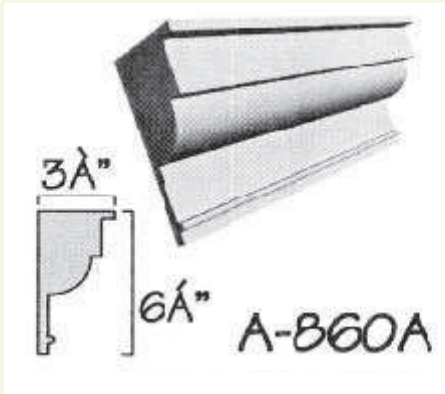
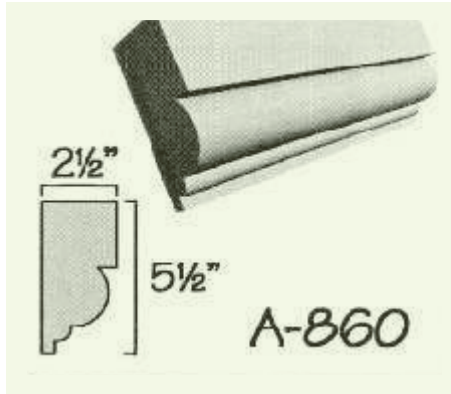
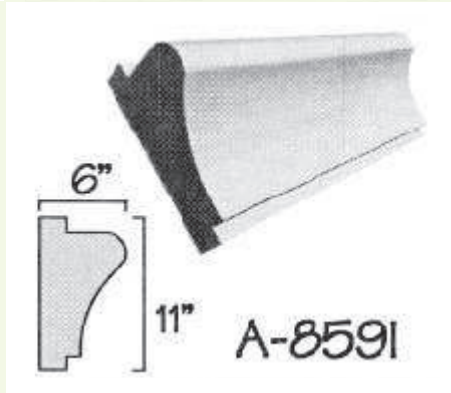
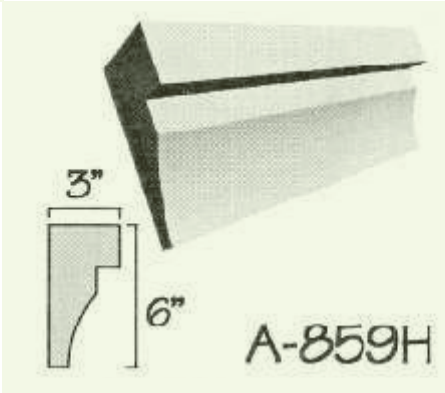
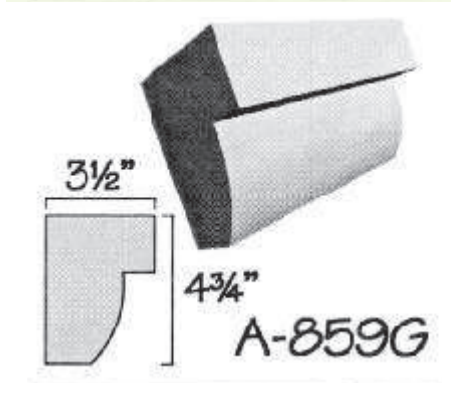
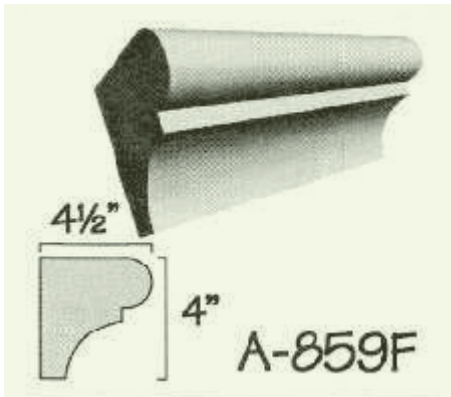
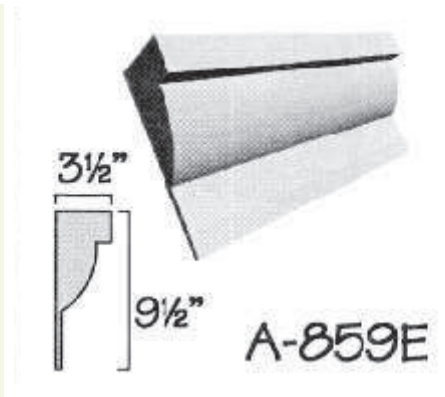
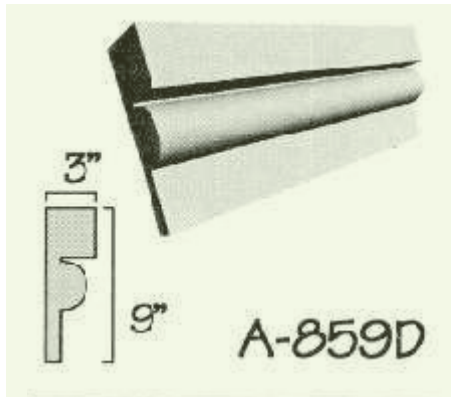
A-852B

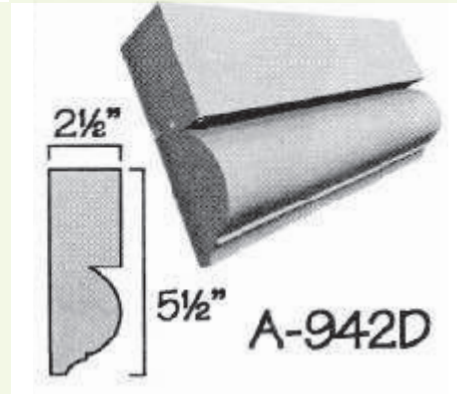
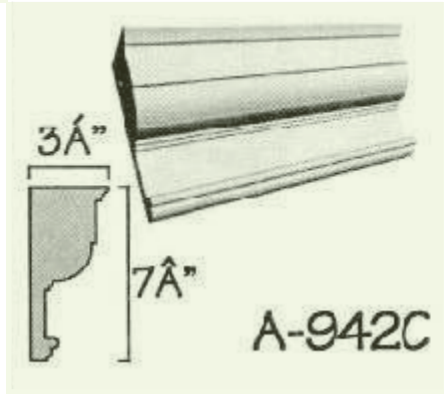
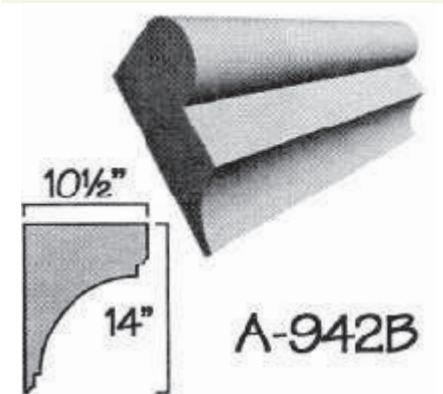
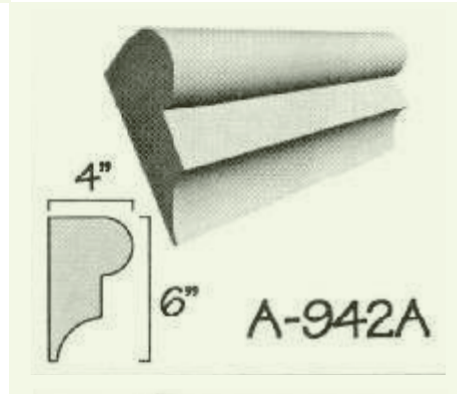
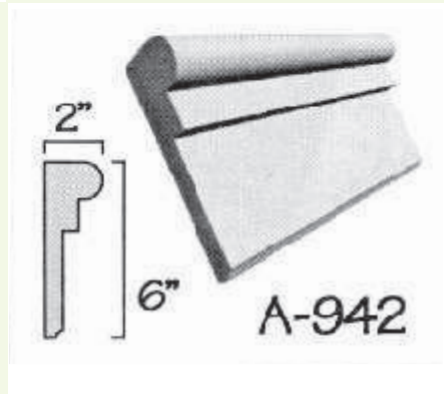
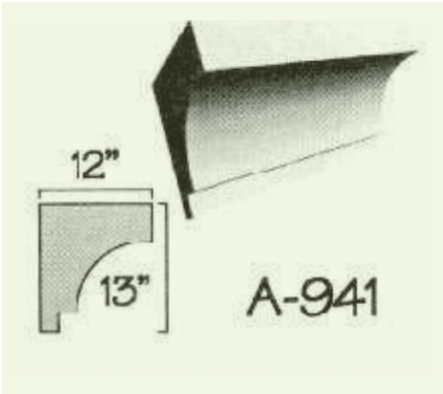
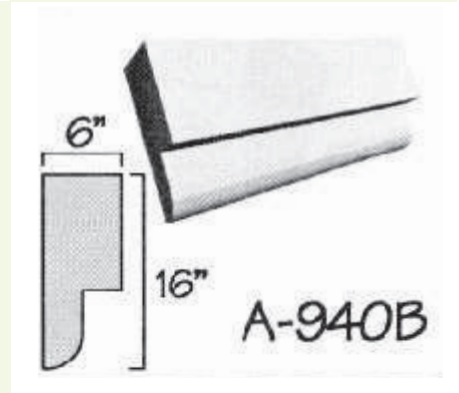
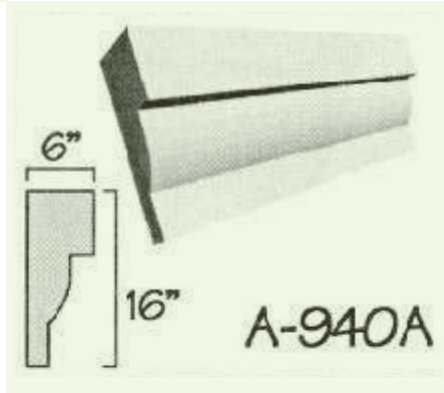
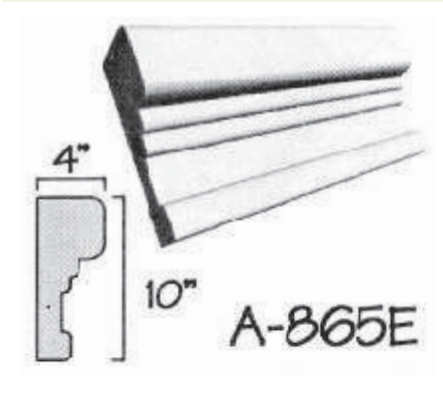
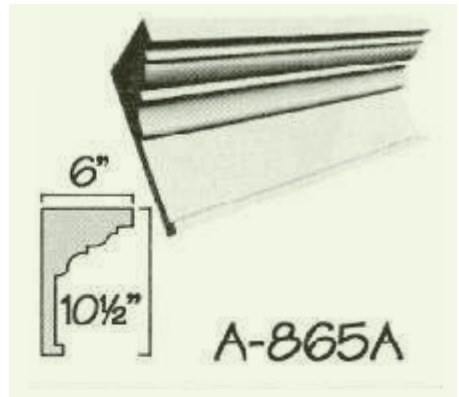
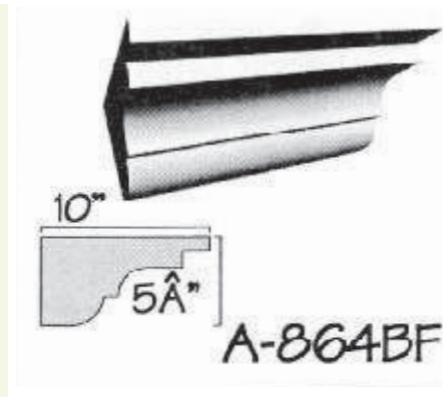
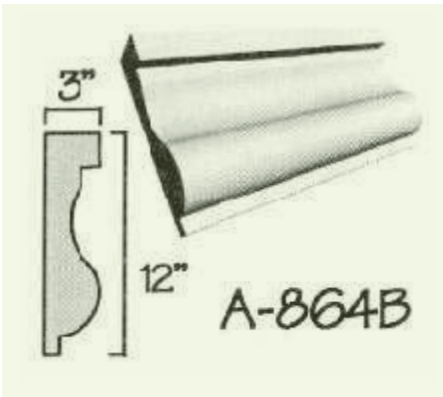


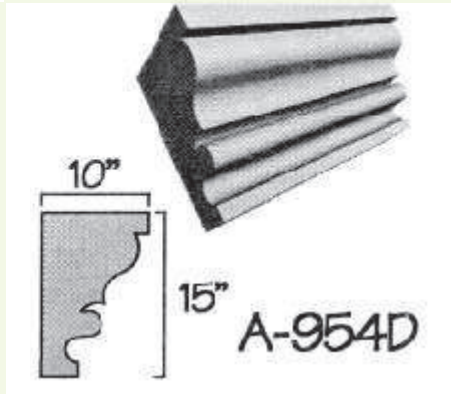
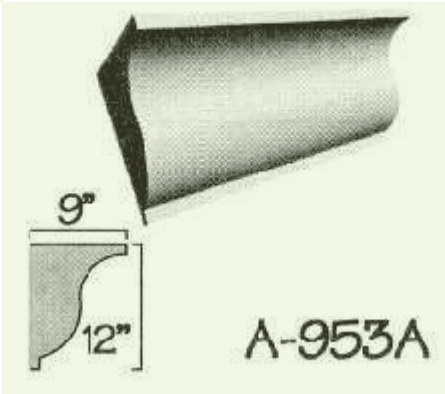
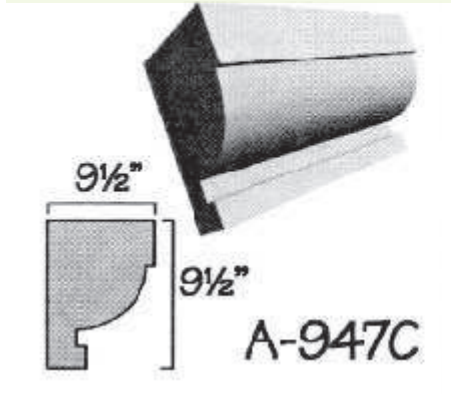
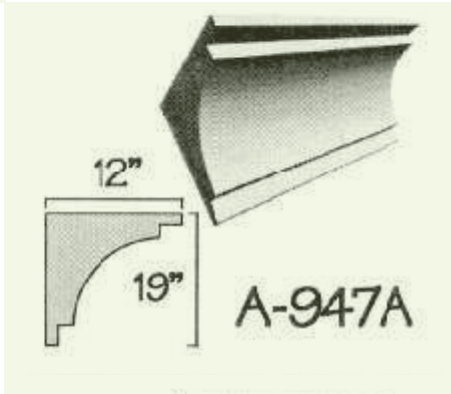
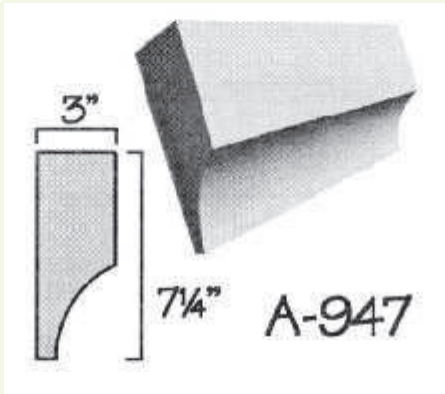
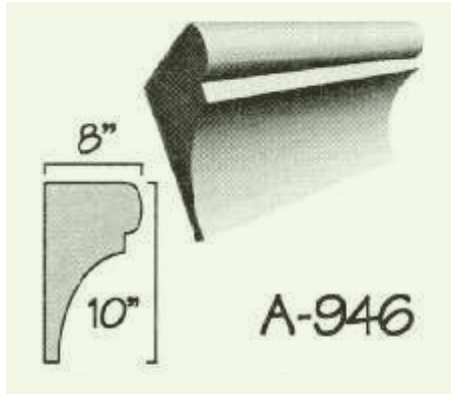
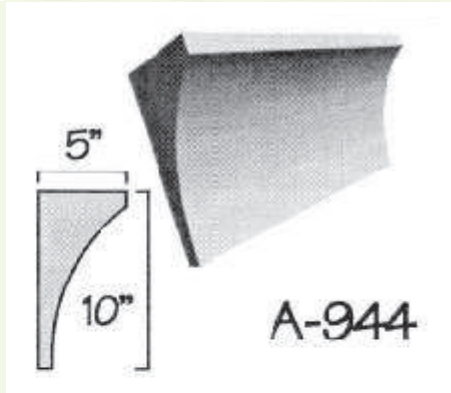
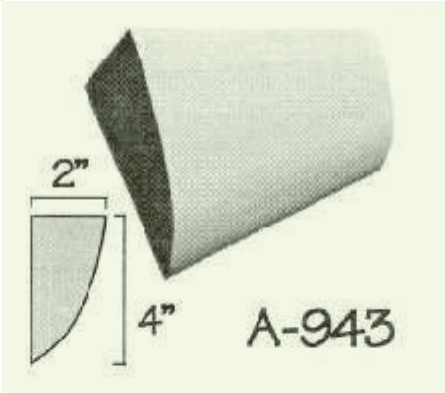
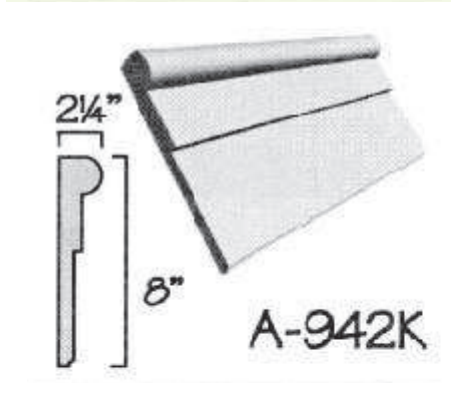
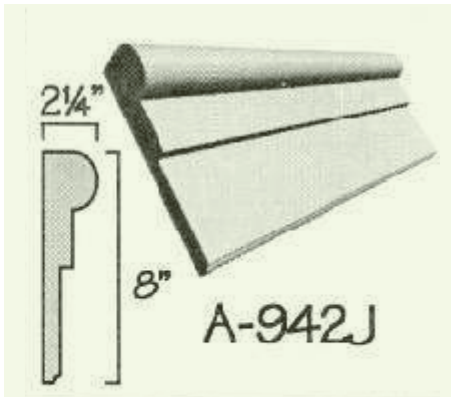
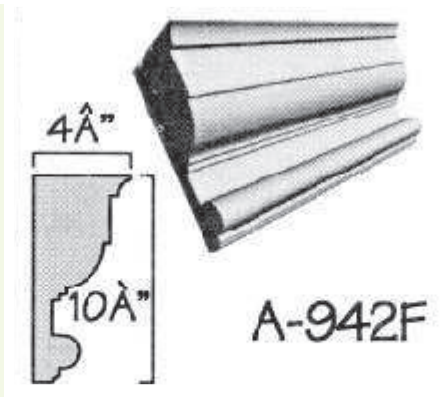
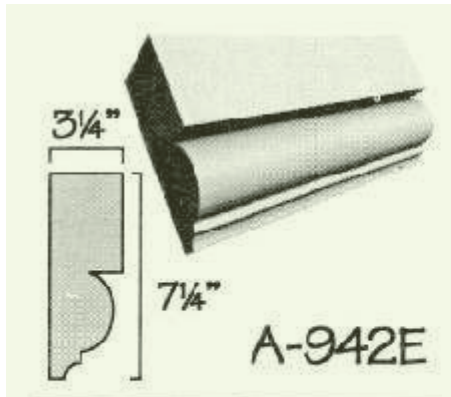
A-852C

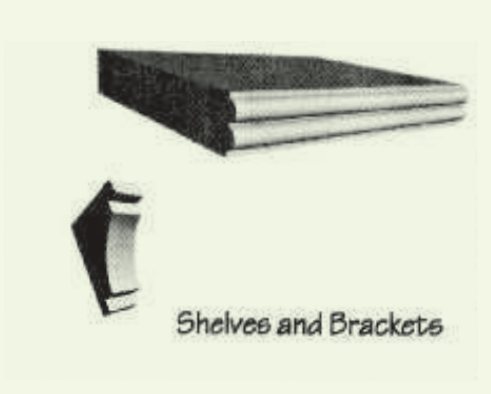
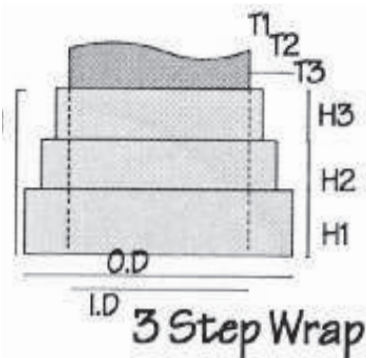
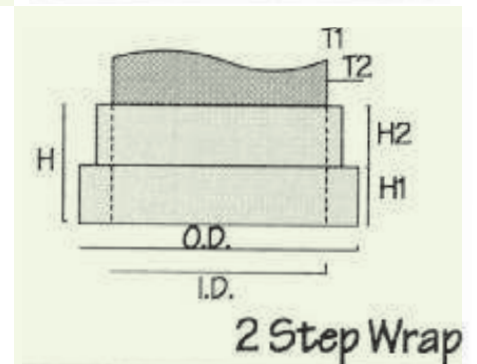
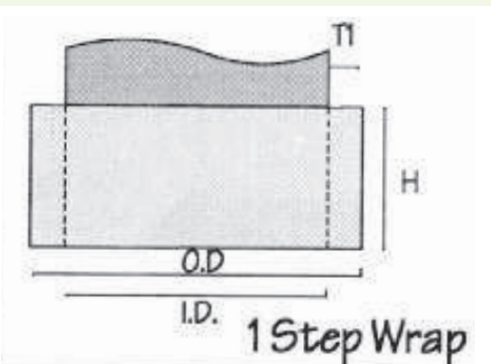
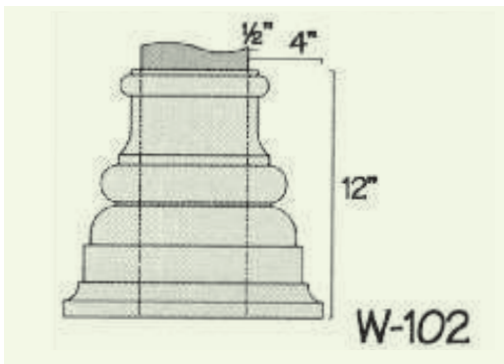
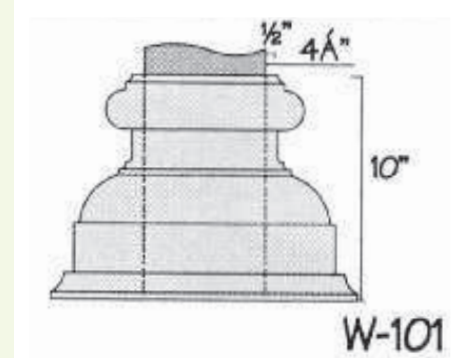
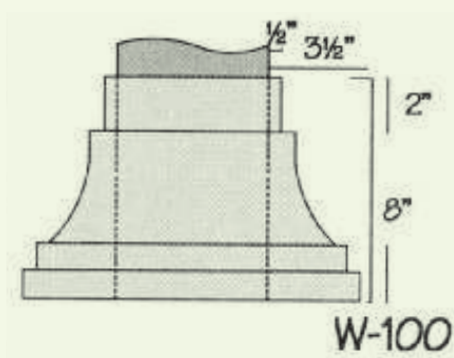
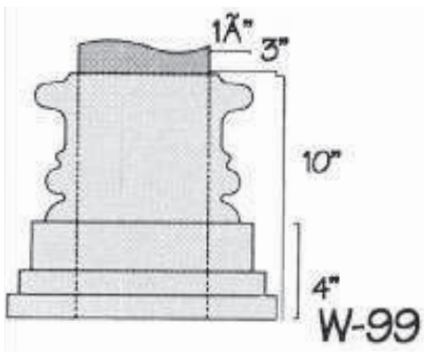
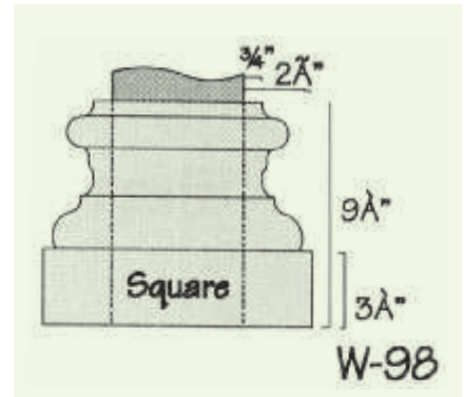
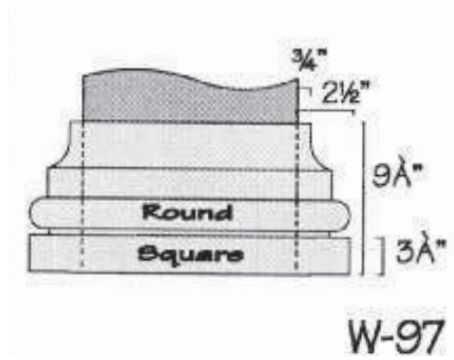
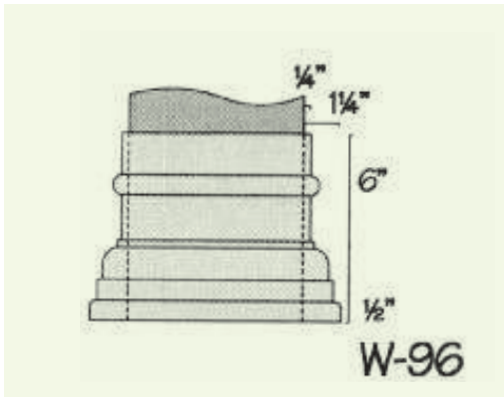


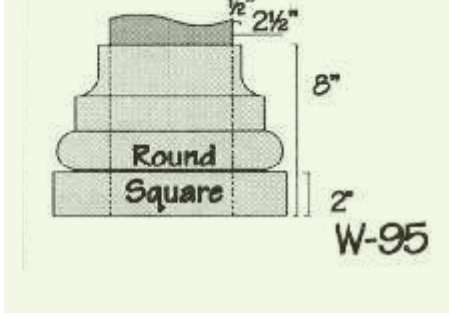
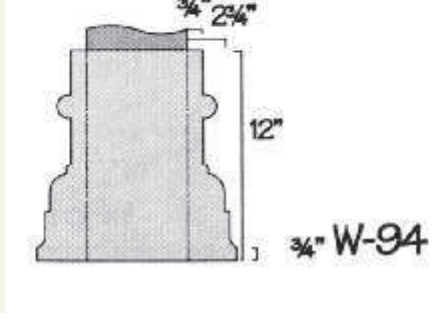
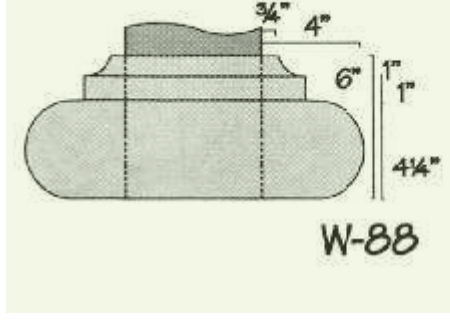
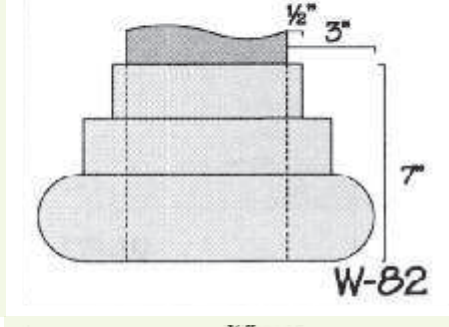
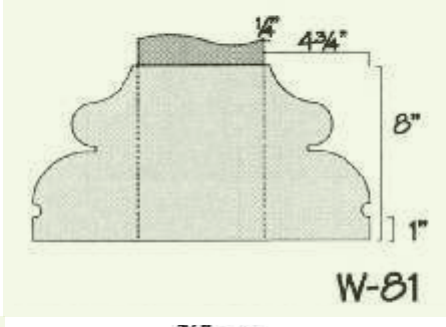
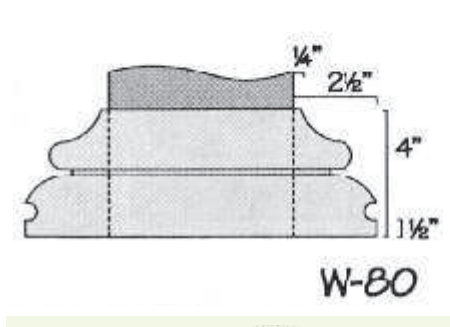
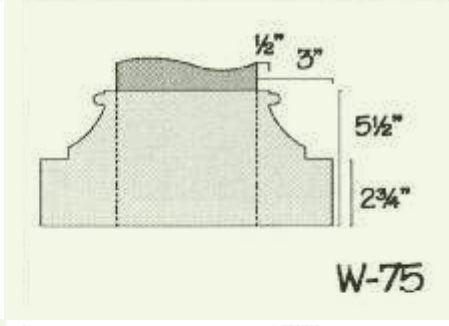
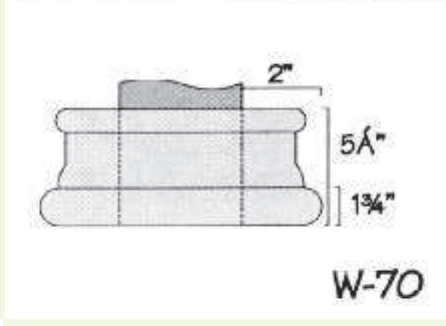
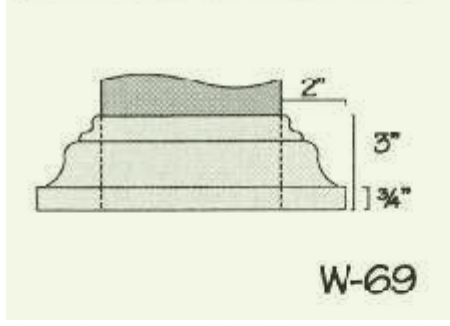
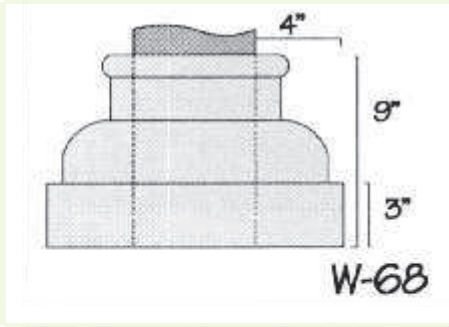
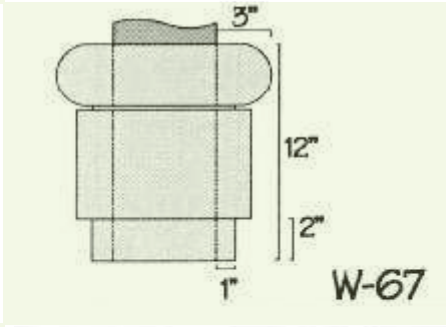
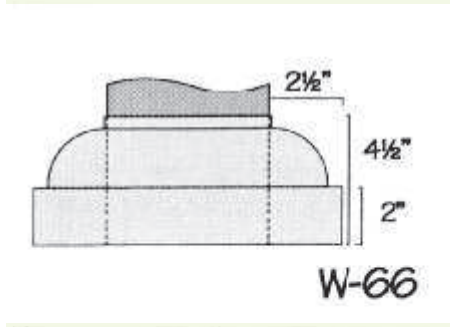
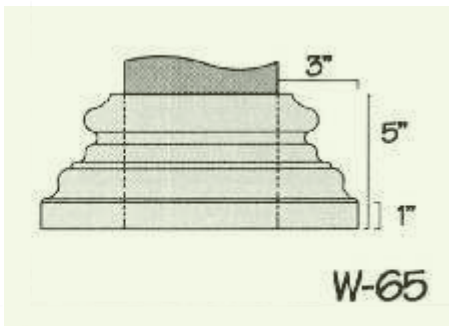
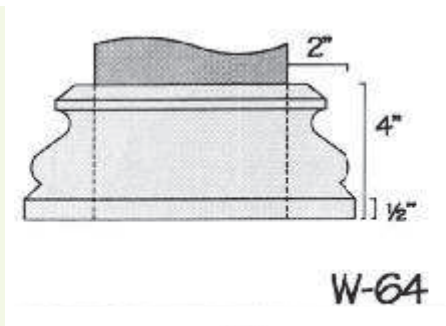
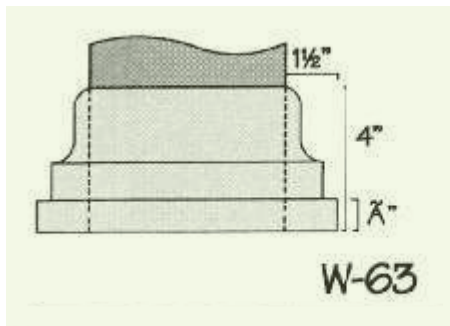


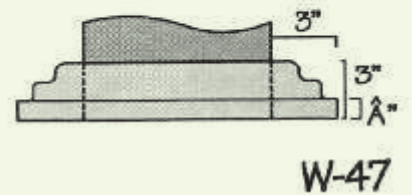
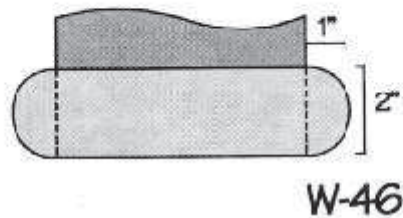
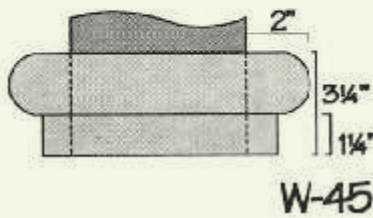
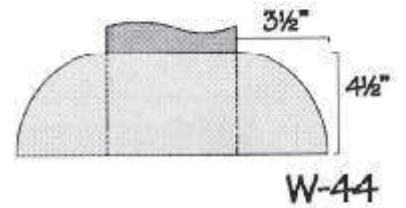
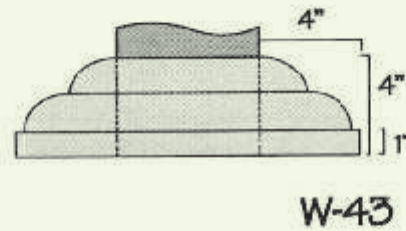
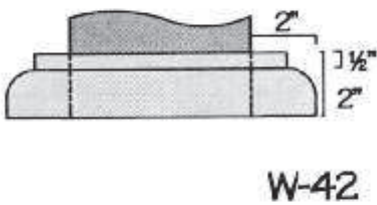
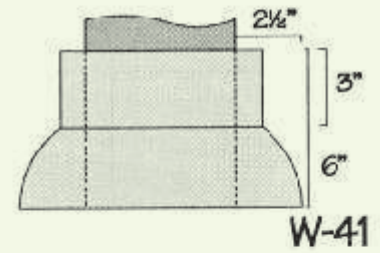
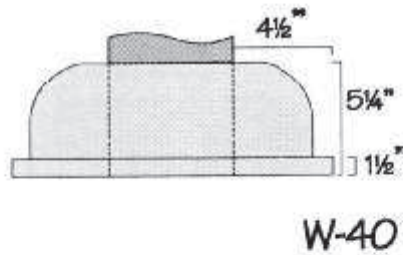
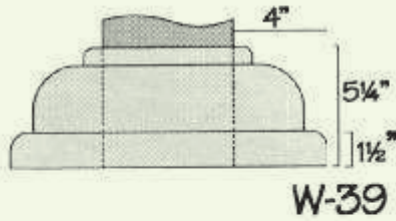
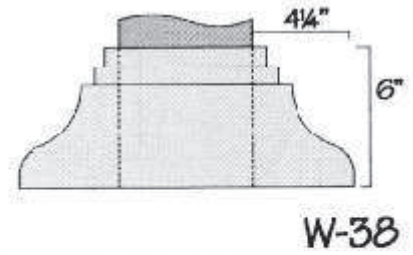
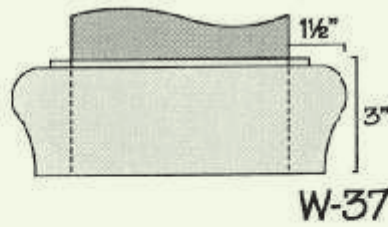
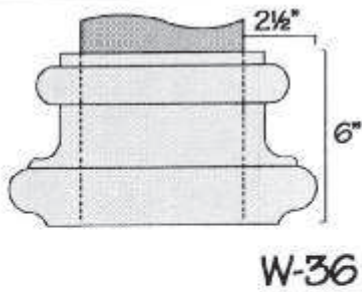
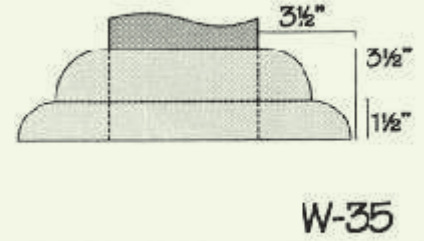
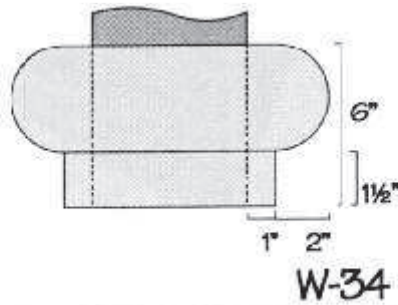
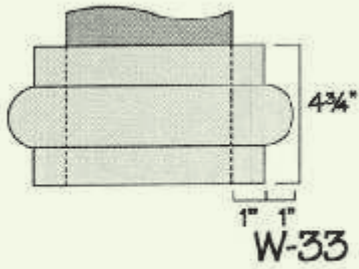


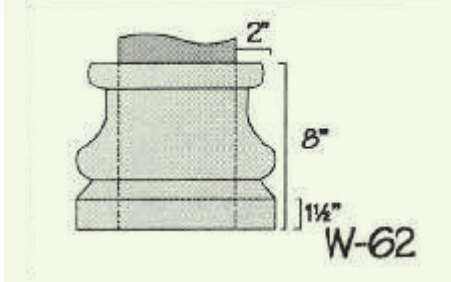
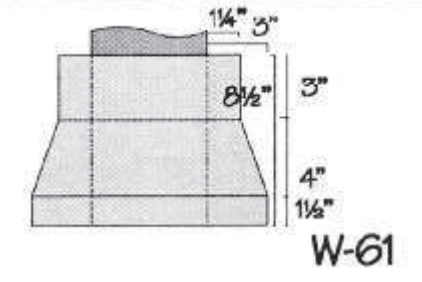
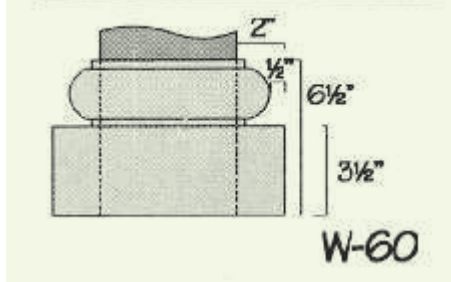
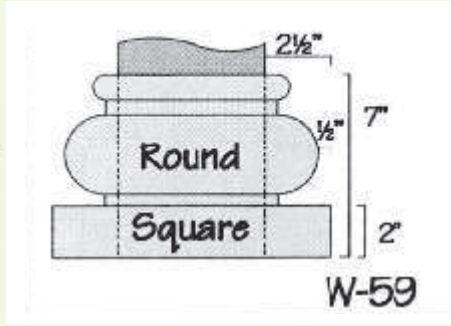
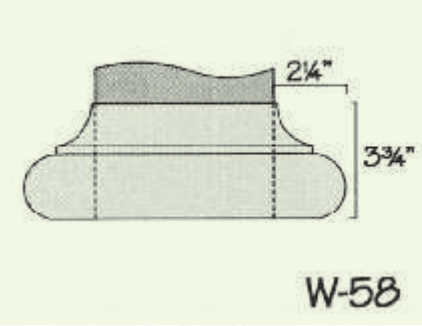
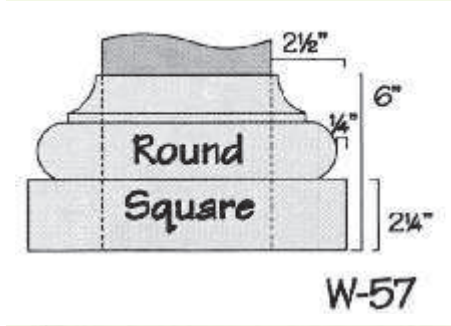
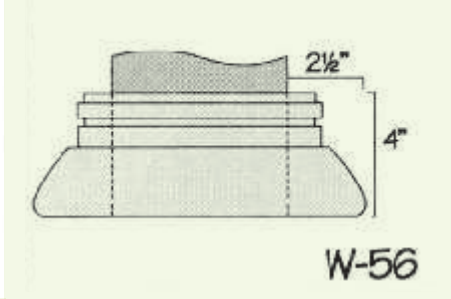
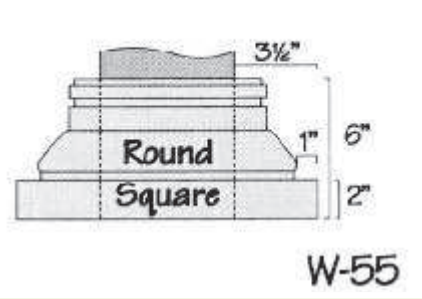
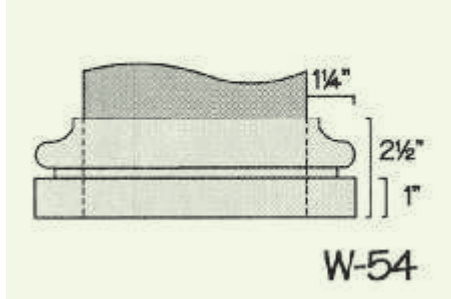
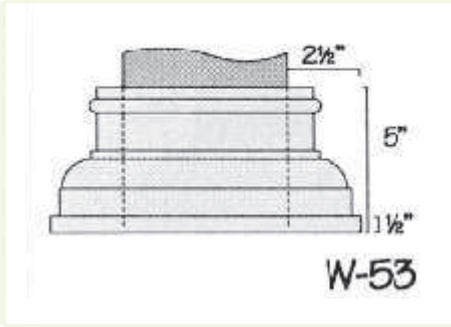
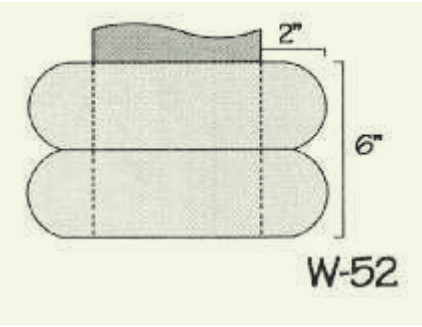
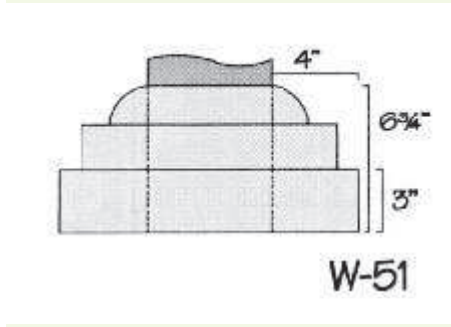
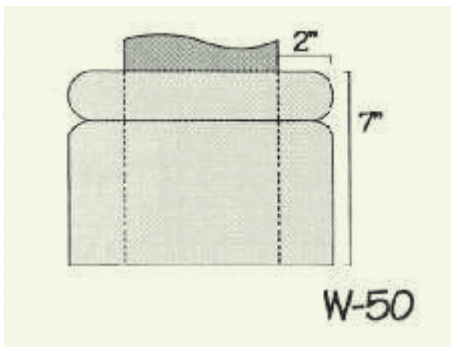
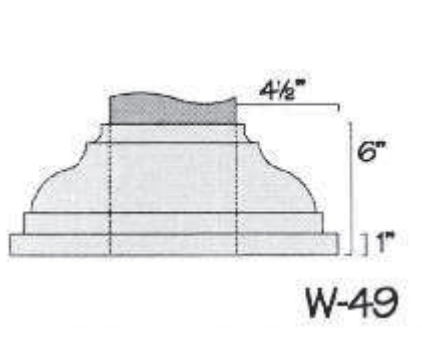
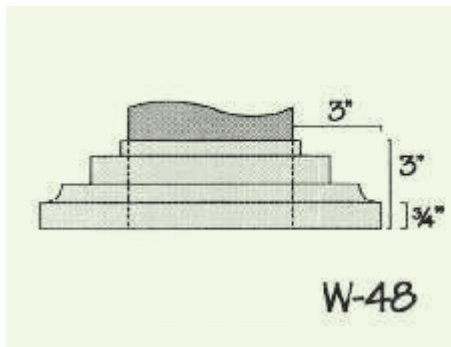






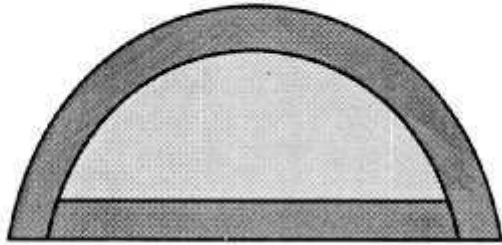




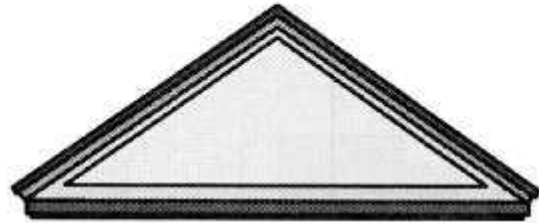




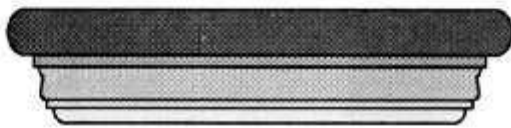
Pediments



Plain Arch Pediment



Plain Peak Pediment



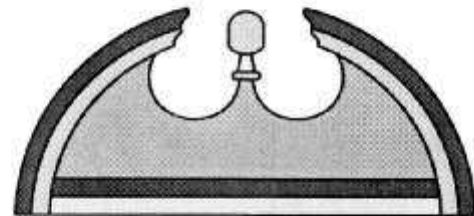
*Door Or Window
Pediment*



*Door Or Window
Pediment*

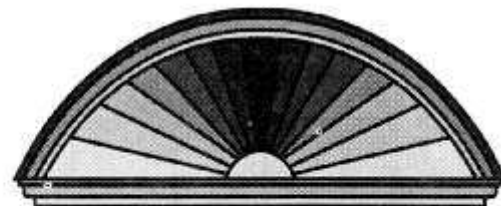


Acorn Pediment



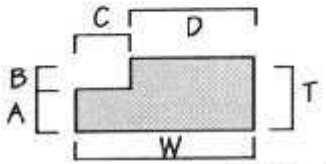
Peak Pediment

*Custom Sizes And
Designs Availabe
(Call For Information)*

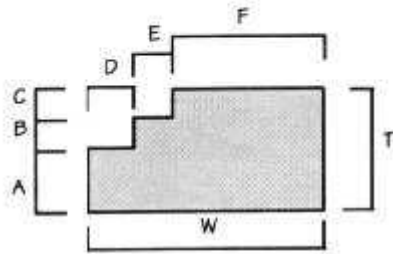


Sunburst Pediment

Bands

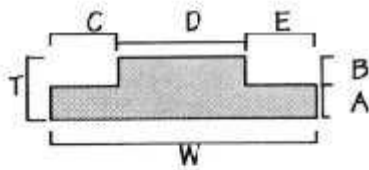


2 High (L Band)

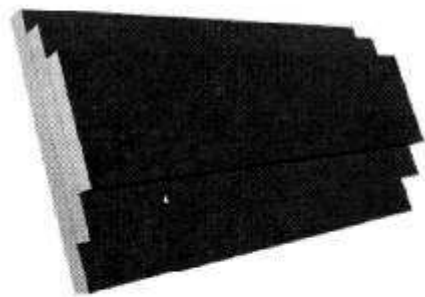
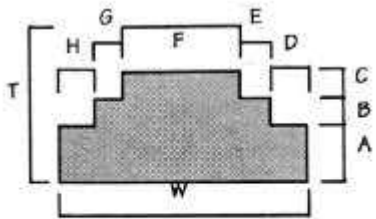


3 High (L Band)

All Bands Priced Per 8 Ft Length

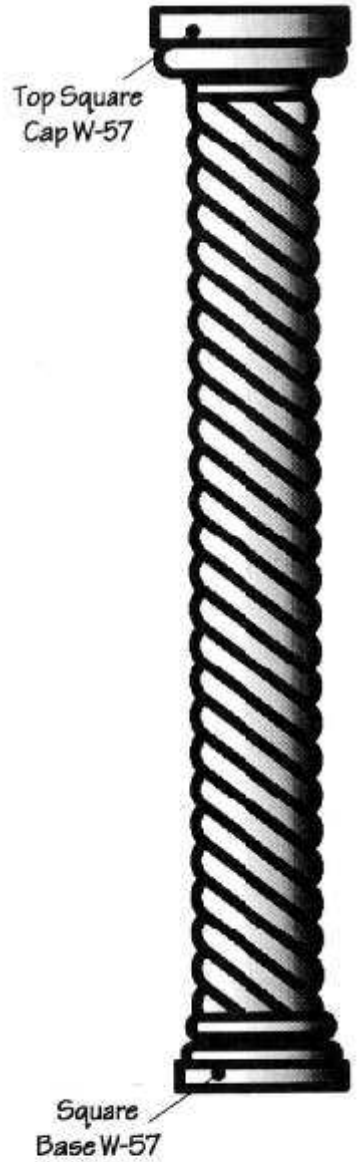


2 High (T Band)



3 High (T Band)

Round Spiral Columns

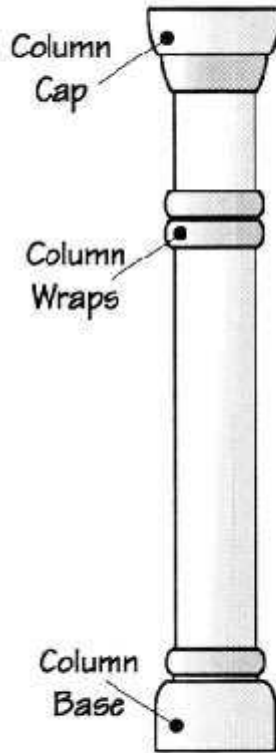




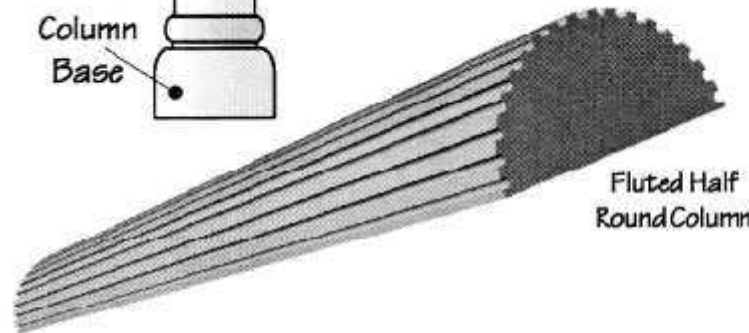
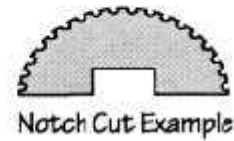
Tapered Columns



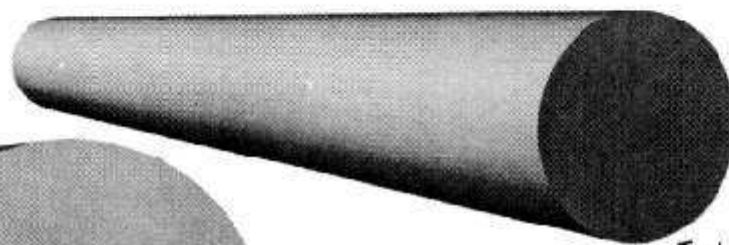
(Available As Typical Or Fluted)



Round Fluted Columns

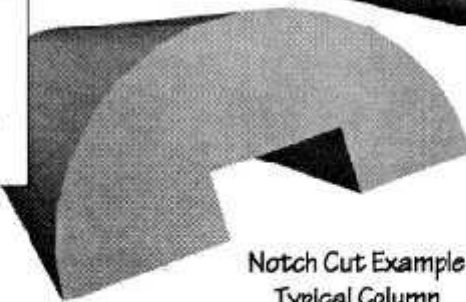


Fluted Half Round Column



Typical Full Round Column

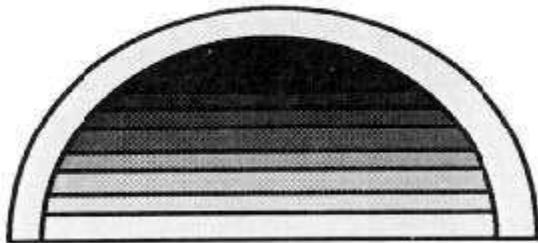
All Columns Priced 8 Ft Lengths



Notch Cut Example Typical Column

Round Typical Columns

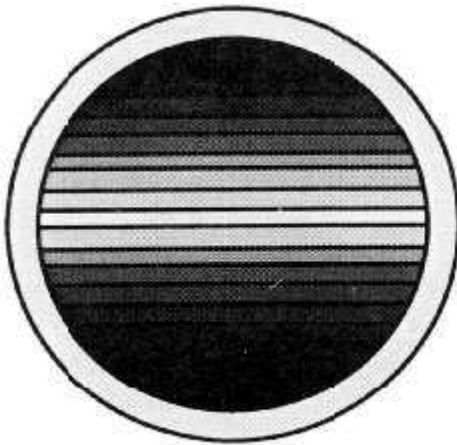
Louvered Vents



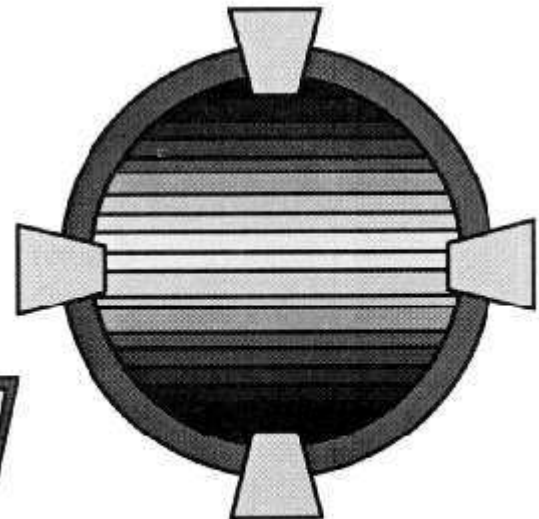
Half Round Vent



Triangle Vent



Full Round Vent



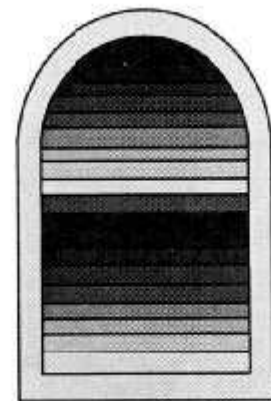
Full Round With Keystones Vent



Custom Keystones



Extended Triangle Vent

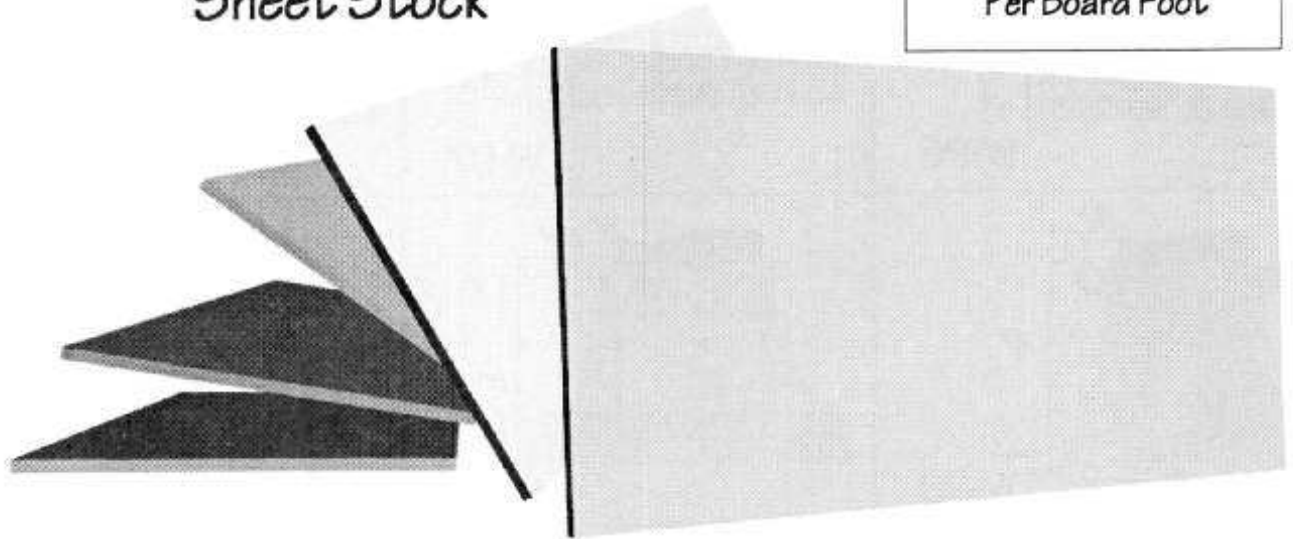


Extended Half Round Vent



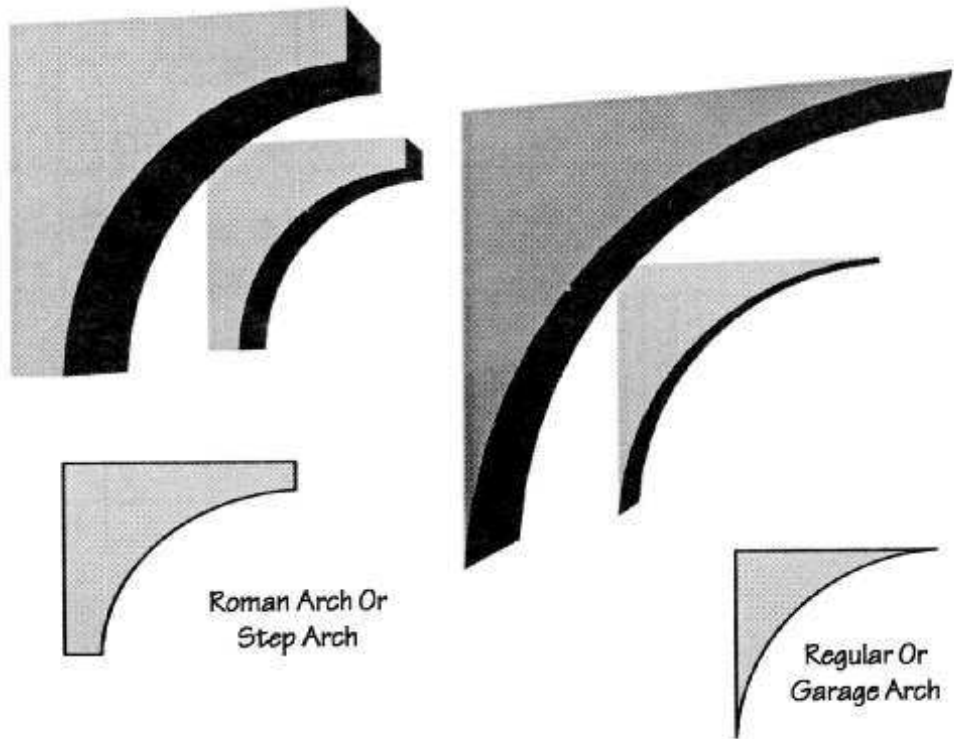
Sheet Stock

Sheet Stock Priced Per Board Foot



Arches

Special Order Sizes Available Upon Request
For Step Arches With 2" Step Price Next Larger Size



Roman Arch Or Step Arch

Regular Or Garage Arch



FLOWERS

FLOWERS 184 Seymour Drive Industrial Park PO Box 900 GRAND CAYMAN KY1 - 9006 Cayman Islands
Phone: 345 623 0000 Overseas Toll Free: 1 727 495 0107 Email: customerservice@flowersgroup.com

www.flowersgroup.com

Like us on Facebook

